

LIVING & CO[®]

VACUUM CLEANER



Instruction Manual

LVC2000BM

AFTER SALES SUPPORT

  0800 422 274

Contents

- 03 Important Safety Instruction
- 05 Product Overview
- 07 INSTRUCTIONS
- 08 CLEANING AND MAINTENANCE
- 10 Other Useful Information
- 11 TROUBLESHOOTING

Important Safety Instruction

IMPORTANT SAFETY INSTRUCTIONS READ CAREFULLY AND KEEP FOR FUTURE REFERENCE

Read this manual thoroughly before first use, even if you are familiar with this type of product. The safety precautions enclosed reduce the risk of fire, electric shock and injury when correctly adhered to. Keep the manual in a safe place for future reference, along with the completed warranty card, purchase receipt and carton.

Always follow basic safety precautions and accident prevention measures when using an electrical appliance, including the following:

READ ALL INSTRUCTIONS

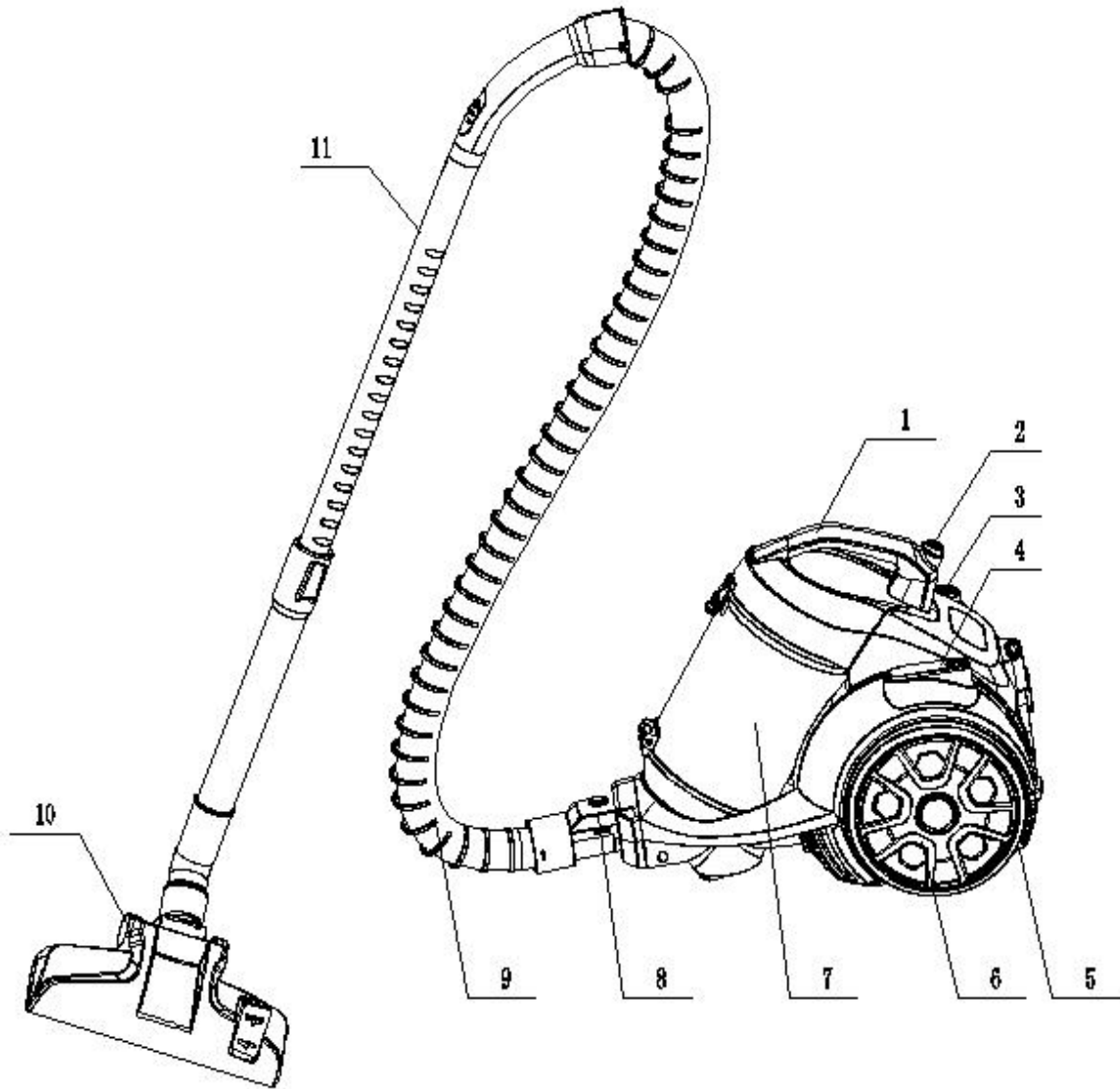
1. Before turning on, ensure the electrical voltage and frequency of the circuit corresponds to those indicated on the rating label.
2. Do not leave the vacuum cleaner when plugged in. Unplug from outlet when not in use and before cleaning or servicing.
3. Do not use outdoors or on wet surfaces.
4. Young children should be supervised to ensure they do not play with the appliance.
5. Do not insert any objects into the appliance.
6. Use only as described in this manual, use only manufacturers recommended attachments.
7. Do not operate any appliance with a damaged cord or plug or after the appliance malfunctions, or has been damaged in any manner.
8. Do not pull or carry by cord, use cord as a handle, close a door on cord or pull cord around sharp edges or corners. Do not run the vacuum cleaner over cord.
9. Keep cord away from heated surfaces.
10. Do not unplug by pulling on cord. To unplug, grasp the plug, not the cord.
11. To reduce the risk of electrocution never operate the product with wet hands, submerge in water or spill liquids into the product.
12. Do not use with any opening blocked; keep free of dust, lint, hair, and anything that may reduce airflow.
13. Turn off all controls before unplugging.
14. Do not use to vacuum flammable or combustible liquids, such as gasoline, matches, or use in areas where they may be present.
15. Do not vacuum anything that is burning or smoking, such as cigarettes, matches, or hot ashes.

16. Do not use without the filter in place.
17. This appliance is intended for normal household use only.
18. If the supply cord is damaged, it must be replaced by the manufacturer or its service agent or a similarly qualified person in order to avoid a hazard.
19. This appliance is not intended for use by persons (including children) with reduced physical, sensory or mental capabilities, or lack of experience and knowledge, unless they have been given supervision or instruction concerning use of the appliance by a person responsible for their safety;
20. Children should be supervised to ensure that they do not play with the appliance.
21. This Appliance should not be used by children or people who are physically challenged.
22. This appliance is not a toy, and if not used in the correct manner, can lead to unnecessary damage or failure to perform.

WARNING!


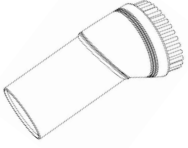
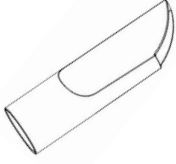
- Do not run the appliance over the power cable.
- Do not use the appliance to pick up burning or hot objects (e.g. coal, ash, cigarettes etc) of any kind.
- Do not use the appliance to pick up any liquids or use on wet surfaces.
- Do not cover the appliance or restrict air vents.
- Do not use the appliance to pick up sharp objects (e.g. pins, nails, tacks, staples etc) or string.

Product Overview



1	Handle	7	Dust cup
2	Release button	8	Hose connector
3	Cord rewind button	9	Hose
4	Power button	10	Vacuum Head
5	Rubber for big wheel	11	Extending metal tube
6	Big wheel		

Accessory

Upholstery brush	Sofa brush	Crevice tube
		

INSTRUCTIONS

Before first use

1. **Connection of the hose and the vacuum cleaner:** Insert the hose connector (8) into the front of the vacuum cleaner . To remove the hose connector, you can press the release button and then pull it out.
2. **Connection of the hose and the extending metal tube:** Hold the flex connector of the hose and insert it into the bigger hole of the tube.
3. **Connection of the tube and the vacuum head:** Insert the metal tube into the hole of the vacuum head (10) and rotate it to fasten together.

Operation

4. Pull the power cord out of the appliance and insert the mains plug into the mains socket. A YELLOW mark on the power cord indicates the ideal cable length. Do not extend the power cord beyond the RED mark.
5. Press the power button on top of the appliance to switch on the appliance.
6. You can quickly reduce the suction power by pushing the air flow regulator on the hose handle. Push it forward, suction power will increase; push it backward, suction power will reduce.



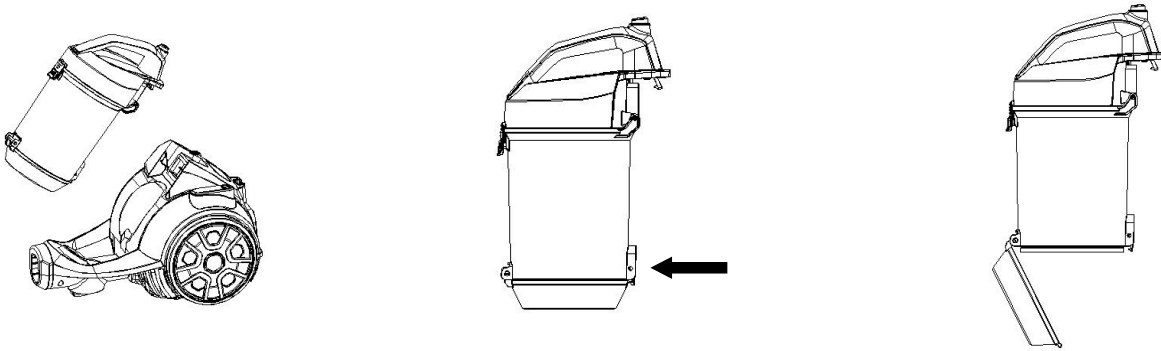
CLEANING AND MAINTENANCE

Always switch off the appliance and unplug from the mains socket before carrying out any maintenance or cleaning. Clean the outside of the appliance with a slightly damp cloth. Dry thoroughly before use.

Emptying the Dust Canister

Empty the dust canister when the dust reaches the MAX line or when suction is reduced

1. Press the dust canister release button to remove.
2. Hold the dust tank over a trash receptacle and then press the dust release button to open the dust tank door. Empty the dust tank.



3. Close the dust tank door after emptying.

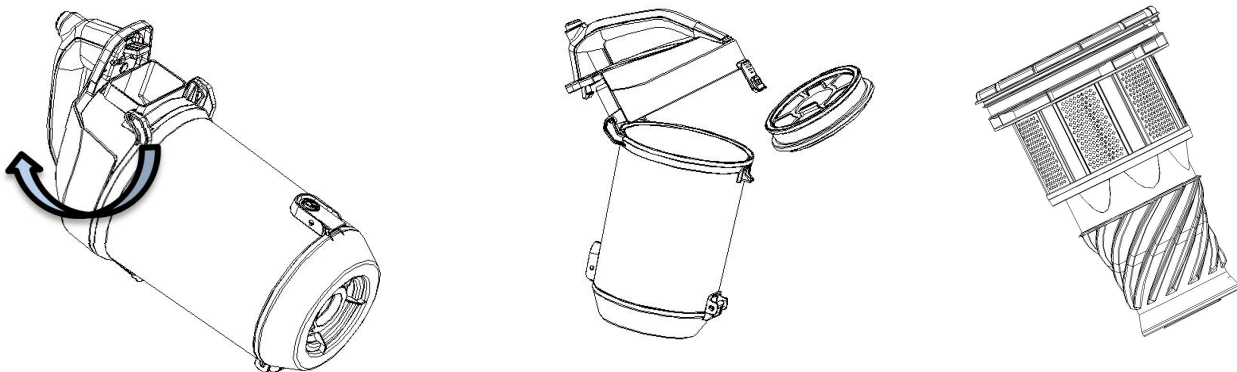
Filters Maintenance

It is very important to keep the filters clean to maintain maximum performance from the vacuum.

Clean the filters regularly. We recommend you replace the filters once a year.

Cleaning the filter

1. Remove the lid of the dust canister by turning it anticlockwise.
2. Remove the HEPA cover and then the cyclonic filter assembly.



3. Tap all parts against a trash receptacle. Wash them and the sponge under running water.

- Dry thoroughly, DO NOT USE DETERGENTS TO CLEAN.

4. Assemble all parts and then put the assembly and HEPA Cover back into the dust tank in reverse to above.

5. Attach the lid back onto the dust tank and turn it clockwise until it locks into position.

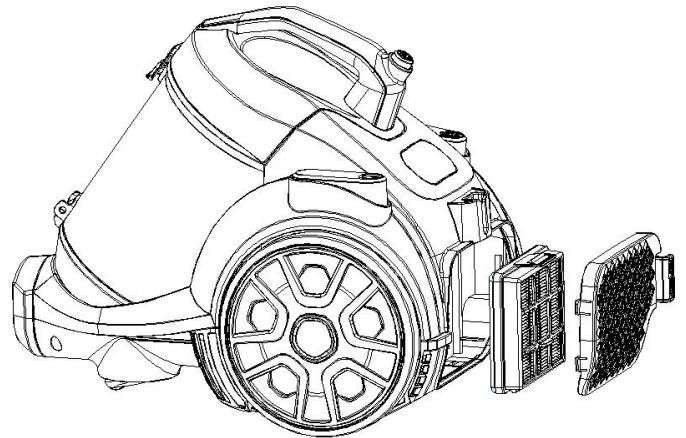
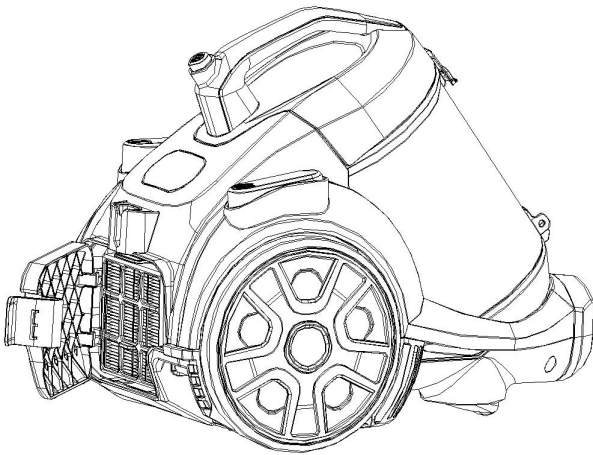
6. Put the dust tank back into the appliance until it snaps home, making sure the opening on the dust tank is aligned with the air inlet.

Note:

The filter cannot be cleaned in the washing machine. It will reduce the suction power and damage the motor if you use the wet filter.

Cleaning the air outlet filter

Remove air outlet filter and wash it under running water. Allow the filter to dry completely before replacing it in the appliance.



Other Useful Information

Note:

The filter can't be cleaned in the washing machine.

It will reduce the suction power and damage the motor if you use the wet filter.

Power cord rewinding

When not in use, unplug the appliance from the mains socket and then press the cord rewind button to feed back the power cord.

CAUTION: Take special care to rewind the mains cord by holding the plug to avoid injury by a whipping action.

Storage

Insert the holder of the floor brush with tubes into the storage clip at the rear of the appliance.

Using the Cleaning Accessories

- Dual position carpet / floor brush (Drawings for reference only)

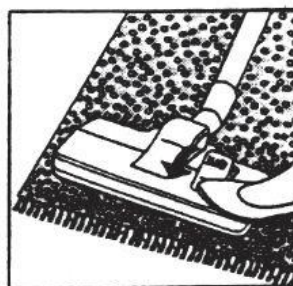
Position 1: Bristles extended

– For hard floors

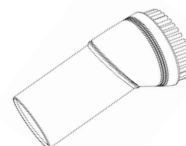
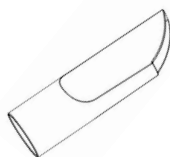
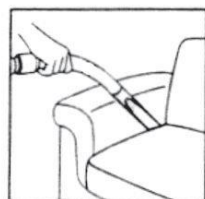


Position 2: Bristles retracted

– For carpets



- Dusting brush and crevice tool - For corners, edges or small spaces



TROUBLESHOOTING

Please check the following details before you have your appliance repaired by an authorised servicing agent.

Problem	Possible Cause	Possible Solution
Vacuum cleaner does not work.	<ol style="list-style-type: none"> 1. Check if the power plug is firmly inserted into the power outlet. 2. Check if the power switch of the appliance is on. 	<ol style="list-style-type: none"> 1. Insert the plug back into the power outlet and ensure it is switched on. 2. Then turn the vacuum cleaner power switch on.
Suction power becomes weak	<ol style="list-style-type: none"> 1. Check if the hose, floor brush or tube is clogged or damaged 2. Check if the dust tank is full. 3. Check if the filter is clogged and if the tube is correctly attached. 	<ol style="list-style-type: none"> 1. Immediately remove the obstruction. 2. Empty the dust tank. 3. Clean the filter or reassemble the tubes
Power cord will not be pulled out	Check if the power cord is twisted.	Pull out the power cord at its optimal length and rewind it.
Power cord cannot be pulled out.	The power cord may be twisted	Rewind or pull the cord in and out several times by pressing the cord rewind button
No suction power regulation	The suction power regulation device may be faulty	Restart the appliance several times. If it still does not work, contact an authorised servicing agent.

Technical Specifications

220-240Vac 50/60Hz 2200W

Dust canister capacity: 2.5L

Customer Service Number: 0800 422 274

MON – FRI: 8AM – 5PM

SAT – SUN: 9AM – 4PM

Responsible disposal

At the end of its working life, do not throw this appliance out with your household rubbish. Electrical and electronic products contain substances that can have a detrimental effect on the environment and human health if disposed of inappropriately. Observe any local regulations regarding the disposal of electrical consumer goods and dispose of it appropriately for recycling. Contact your local authorities for advice on recycling facilities in your area.



LIVING & CO[®]

Warranty

We pride ourselves on producing a range of quality home appliances that are both packed with features and completely reliable. We are so confident in our products, we back them up with a 1 year warranty.

Now you too can relax knowing that you are covered.

Customer Helpline NZ: 0800 422 274

This Product is covered by 1 year warranty when accompanied by proof of purchase.

IM Version 1.0 - September 2017