

LIVING & CO[®]

AROMA DIFFUSER



INSTRUCTION MANUAL

MODEL: SRO8330

Contents

IMPORTANT SAFEGUARDS	1
KNOWING YOUR AROMA DIFFUSER	2
OPERATION.....	3
ESSENTIAL OIL RECIPES	4
ACCIDENTAL LEAKAGE	5
MAINTENANCE	6
TROUBLESHOOTING	7
SPECIFICATIONS.....	8



LIVING & CO®

Warranty

We pride ourselves on producing a range of quality home appliances that are both packed with features and completely reliable. We are so confident in our products, we back them up with a 1 year warranty. Now you too can relax knowing that you are covered.

Customer Helpline NZ: 0800 422 274

This Product is covered a 1 year warranty when accompanied by proof of purchase.

IMPORTANT SAFEGUARDS

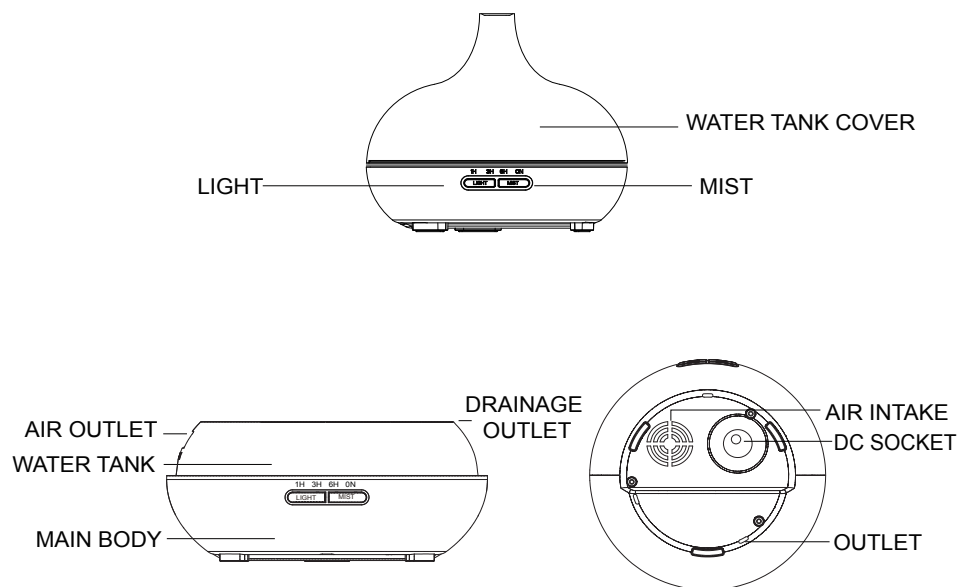
- Do not fill over 300ml "MAX" at any time.
- Do not switch on power when the tank is empty.
- Do not touch the Ultrasonic vibration plate.
- Clean regularly as per Maintenance instructions to avoid malfunction.
- Empty remaining water from "DRAINSIDE" of tank, and wipe with a clean dry cloth when not in use or storage.
- Essential oils can stain. In the event of a spillage or contact, please wipe the surface with a soft cloth.
- Do not fill directly from the water outlet - use a filling cup.
- Do not let mist blow onto furniture, clothing, walls, etc.
- Keep away from direct sunshine, heat sources, and air conditioners or fans.
- Always use on a stable flat surface. Do not place on carpet, duvet or unstable area.
- Keep away from electronic equipment, such as TV and Audio equipment.
- Do not tip the product as this may cause water to enter the mechanism and cause malfunction.
- Product continuous use time: 6 hours maximum
- Wait 60 minutes before reusing to avoid damage to the Ultrasonic plate.
- Use tap water only. Do not use mineral water, sparkling water etc. Never move the product when in use.
- Do not touch any part of the product with wet hands.
- The product is not intended for use by persons (including children) with reduced physical, sensory or mental capabilities, or lack of experience and knowledge, unless they have been given supervision or instruction concerning use of the charger by a person responsible for their safety.
- Keep cords clear of pathways, and do not pull forcefully at any point.
- If smoke or a burning smell is detected, unplug immediately.
- Only use indoors.
- Use only with the specified AC/DC Adapter. The adapter is designed for use from a standard household electrical supply.
- Do not attempt to connect the charger to a supply with a different voltage.

SPECIFICATIONS

Dimensions	Approx. 168x148MM
Weight(excluding adaptor)	Approx. .420g
Power: Input/Output	AC100-240V 50/60HZ / DC 24V 600MA
Length of cord	Approx. 170CM
Electric consumption	Approx. 14w
Time Mode	1H/3H/6H/ON
Tank Capacity	300ML
LED light	6pcs
Materials	PP/ABS/PC
Accessories	AC Adapter and manual
Method of mist production	2.4MHZ Ultrasonic

KNOWING YOUR AROMA DIFFUSER

This Aroma Diffuser uses high frequency ultrasonic technology that vibrates cool water inside the unit creating an ultra fine mist into the air. When essential oils are added, they are immediately dispersed into the air providing healthful benefits and helping to ionize the air.



TROUBLESHOOTING

Please refer to the table below for troubleshooting guides:

If your Aroma diffuser is malfunctioning, please refer to the following points before returning to store:	
Will not switch on or off	<ul style="list-style-type: none"> ● Is there enough water in the tank? --Please add water to the tank. ● Is the power cord connected properly? --Please disconnect, check and re-connect.
No mist or Abnormal mist	<ul style="list-style-type: none"> ● Not enough water or too much water. --Please add specified amount of water in the tank, water must never be filled over the 300ml (MAX) line. ● Dirt on the Ultrasonic plate. --Please refer to maintenance instructions remove and re-install correctly. ● Cover and inner cover are not installed properly. ● --Check alignment and re-fit. ● Dirt on the air intake port on the underside of the base. --Clean the air intake port.
Water leakage from product	<ul style="list-style-type: none"> ● Cover and inner cover are not installed properly? --Remove and reinstall correctly. ● Low temperature or high humidity? --Under these conditions, the mist may condense quickly into water droplets

OPERATION

- Using a cup, fill the base with lukewarm(not cold) tap water up to the fill indicator mark. Do not overfill.
 - Do not use distilled or purified/filtered water.
 - Add about 5 or 6 drops of essential oils directly into the water.
- Replace the cover. Plug in your unit and turn it on.

BUTTON PRESSED	MISTING	BUTTON PRESSED	LIGHTS
Once	1 Hour	Once	Lights ON
Twice	3 Hour	Single press	Colour changing
Three Times	6 Hour	Press and hold	Lights OFF
Four Times	ON		
Five Times	OFF		

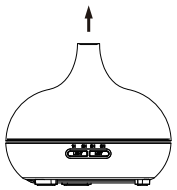


Fig1

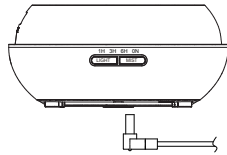


Fig2

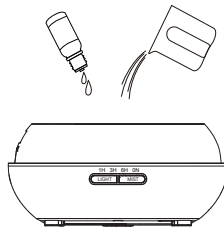


Fig3

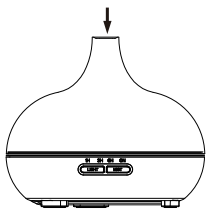


Fig4

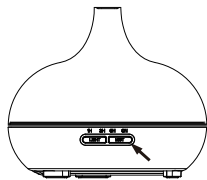


Fig5

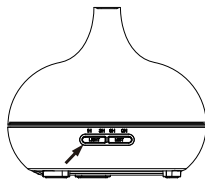
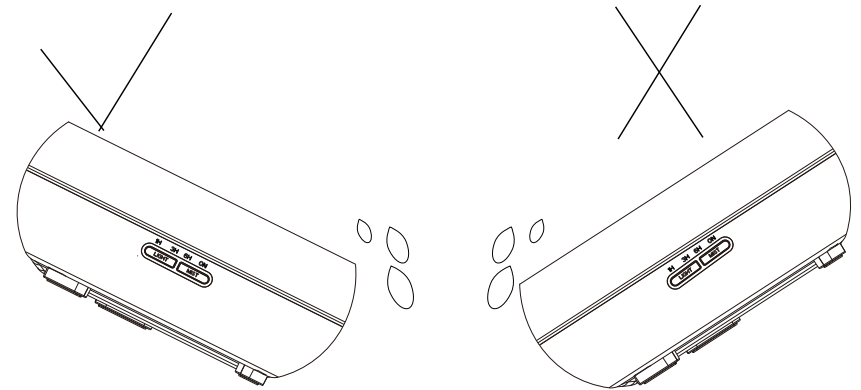


Fig6

MAINTENANCE

We recommend that you clean your Aroma Diffuser every time you change oils. Oils are corrosive, and over time they build up on the ceramic parts. To ensure a long life for your diffuser, follow these simple steps:



- Rinse the water base with clean water and wipe dry with a clean cloth.
- Use a cotton swab to gently clean the Mist Disc and Sensor.

ESSENTIAL OIL RECIPES

Add the following oils to the Aroma diffuser and enjoy:

Balancing Blends

Balance

2 drops of Geranium Oil
2 drops of Rose Absolute Oil
2 drops of Clary Sage Oil

Headache Ease

3 drops of Lavender Oil
3 drops of Peppermint Oil
3 drops of Chamomile Oil

Purifying Blends

Room Purifying

1 drop of Tea Tree Oil
1 drop of Grapefruit Oil
10 drops of Lemon Oil

Spring

10 drops of Lemongrass Oil
5 drops of Lemon Oil
1 drop of Eucalyptus Oil

Uplifting Blends

Energizing

1 drop of Peppermint Oil
1 drop of Rosemary Oil
2 drops of Cinnamon Leaf Oil

Relaxing Blends

Peace

10 drops of Lavender Oil
6 drops of Chamomile Oil

Calming

4 drops of Cypress Oil
4 drops of Lavender Oil
4 drops of Marjoram Oil

Romance Blends

Love

1 drop of Patchouli Oil
3 drops of Jasmine Absolute Oil
5 drops of Geranium Oil

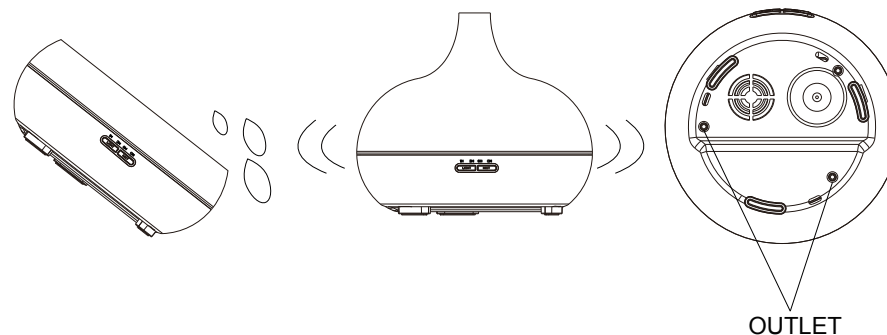
Just Rosy

5 drops of Geranium Essential Oil
3 drops of Rose Essential Oil
2 drops of Ylang ylang Essential Oil

ACCIDENTAL LEAKAGE

In the event of the unit being knocked over or tipped during use, please follow the steps as below to avoid malfunction.

1. Unplug the unit and remove the water tank cover.
2. Pour out any remaining water from the water tank.
3. Shake the unit gently to drain any remaining water, and then allow to dry naturally for at least 24 hours.



*Recipe's are a guide only.