



LIVING&CO®

We pride ourselves on producing a range of quality home appliances that are both packed with features and completely reliable. We are so confident in our products, we back them up with a 2 year warranty. Now you too can relax knowing that you are covered.

Customer Helpline NZ:0800 422 274

This Product is covered by 2 year warranty when accompanied by proof of purchase.

IM Version 1.0 - Nov 2019

LIVING&CO®

DEHUMIDIFIER



DYD-W20A412

Technical Specifications

Model	DYD-W20A412
Power Supply	220-240V~ 50Hz
Dehumidifying Capacity	20L/day(30°C RH80%)
	12L/day(27°C RH60%)
Power Consumption	265W nominal / 370W maximum
Air flow	145m ³ /h
Water Tank Capacity	6.5L
Noise Level	43dB(A)
Operating Temperature	5~35°C
Refrigerant	R290
Net Weight	13.5 kg
Product Size (W×D×H)	360 × 285 × 564 mm

The above technical data is indicative and for reference only. Some variation may exist between batches.

Compliance

This appliance has been fully tested and meets all requirements as set out by standards AS/NZS 60335.1 and AS/NZS 60335.2.40.



The RCM Mark(Regulatory Compliance Mark) indicates that the product complies with relevant guidelines of the ACMA as well as corresponding government requirements for the safety of electrical devices.

Responsible disposal

- At the end of its working life, make the appliance unserviceable by unplugging it from the power outlet and cutting the power cord.
- Do not throw this appliance out with your household rubbish. Electrical and electronic products contain substances which can have a detrimental effect on the environment and human health if disposal of inappropriately. Observe any local regulations regarding the disposal of electrical consumer goods and dispose of it appropriately for recycling. Contact your local authorities for advice on recycling facilities in your area.

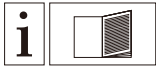
Trouble Shooting

Check the following before contacting technical support.

PROBLEM	POSSIBLE CAUSE	SOLUTION
The device does not work	The power is not connected	Insert the plug into the wall outlet
	The water tank is full	Empty the tank
	The tank has not been replaced correctly	Replace the tank
Water removal capacity is too low	Runtime is too short	Be patient and leave the unit running for a longer duration
	Ambient temperature or humidity is too low	It is normal that the device does not dehumidify in these conditions
The device works, but reduces the relative humidity in a dequately	The room is too big	We recommend using a dehumidifier with a greater capacity
	There is too much ventilation	Reduce ventilation(e.g. close windows and shut doors)
	The air filter is clogged	Clean the air filter
	Set humidity is higher than the ambient humidity	Set the humidity lower than ambient humidity
Dehumidifier is blowing out warm air	The dried air is passed over heating coils before it is blown into the room as part of the dehumidifying process	This is normal, a dehumidifier is not an air cooler
The display is not showing the humidity set point	The display shows the room relative humidity not the set point	Press the up or down button once to see the target relative humidity
Water on floor	There is residual water in the tank and the device is moved abruptly	Be careful when moving the tank
The dehumidifier is noisy	The air filter is blocked or the device is on an uneven surface	Clean the filter or put the device on a flat surface

Contents

	Page
Product Overview	3
Product Instructions	5
Safety Instructions	5
Prior to Operation	7
Continuous Drainage	7
Operation Instructions	8
Cleaning	12
Storage	13
Display Error Codes	13
Safety Precautions On Servicing	14
Trouble Shooting	16
Technical Specifications	17



Read the USER MANUAL carefully before operation.



Further information is available in the USER MANUAL, SERVICE MANUAL, and the like.



Service personnel are required to carefully read the USER MANUAL and SERVICE MANUAL before operation.



Recycle unwanted materials instead of disposing of them. All appliances and packaging should be sorted and tendered at a regional recycling centre and be processed in an ecological manner.



This unit uses a flammable refrigerant.
If refrigerant leaks and comes in contact with fire or heating part, it will create harmful gas and there is risk of fire.

Safety Precautions On Servicing

Checks to the refrigeration equipment

Where electrical components are being changed, they shall be fit for the purpose and to the correct specification. At all times the manufacturer's maintenance and service guidelines shall be followed. If in doubt consult the manufacturer's technical department for assistance.

The following checks shall be applied to installations using flammable refrigerants:

- The charge size is in accordance with the room size within which the refrigerant containing parts are installed;
- The ventilation machinery and outlets are operating adequately and are not obstructed;
- If an indirect refrigerating circuit is being used, the secondary circuit shall be checked for the presence of refrigerant;
- Marking to the equipment continues to be visible and legible. Markings and signs that are illegible shall be corrected;
- refrigeration pipe or components are installed in a position where they are unlikely to be exposed to any substance which may corrode refrigerant containing components, unless the components are constructed of materials which are inherently resistant to being corroded or are suitably protected against being so corroded.

Checks to electrical devices

Repair and maintenance to electrical components shall include initial safety checks and component inspection procedures. If a fault exists that could compromise safety, then no electrical supply shall be connected to the circuit until it is satisfactorily dealt with. If the fault cannot be corrected immediately but it is necessary to continue operation, an adequate temporary solution shall be used. This shall be reported to the owner of the equipment so all parties are advised.

Initial safety checks shall include:

- those capacitors are discharged: this shall be done in a safe manner to avoid possibility of sparking;
- that there no live electrical components and wiring are exposed while charging, recovering or purging the system;
- that there is continuity of earth bonding.

Releasing refrigerant into atmosphere is strictly forbidden!

Safety Precautions On Servicing

Please follow these warnings when to undertake the following when servicing a dehumidifier with R290.

Checks to the area

Prior to beginning work on systems containing flammable refrigerants, safety checks are necessary to ensure that the risk of ignition is minimized. For repair to the refrigerating system, the following precautions shall be complied with prior to conducting work on the system.

Work procedure

Work shall be undertaken under a controlled procedure so as to minimize the risk of a flammable gas or vapor being present while the work is being performed.

General work area

All maintenance staff and others working in the local area shall be instructed on the nature of work being carried out. Work in confined spaces shall be avoided. The area around the workspace shall be sectioned off. Ensure that the conditions within the area have been made safe by control of flammable material.

Checking for presence of refrigerant

The area shall be checked with an appropriate refrigerant detector prior to and during work, to ensure the technician is aware of potentially flammable atmospheres. Ensure that the leak detection equipment being used is suitable for use with flammable refrigerants, i.e. no sparking, adequately sealed or intrinsically safe.

Presence of fire extinguisher

If any hot work is to be conducted on the refrigeration equipment or any associated parts, appropriate fire extinguishing equipment shall be available to hand. Have a dry powder or CO² fire extinguisher adjacent to the charging area.

No ignition sources

No person carrying out work in relation to a refrigeration system which involves exposing any pipe work that contains or has contained flammable refrigerant shall use any sources of ignition in such a manner that it may lead to the risk of fire or explosion. All possible ignition sources, including cigarette smoking, should be kept sufficiently far away from the site of installation, repairing, removing and disposal, during which flammable refrigerant can possibly be released to the surrounding space. Prior to work taking place, the area around the equipment is to be surveyed to make sure that there are no flammable hazards or ignition risks. "No Smoking" signs shall be displayed.

Ventilated area

Ensure that the area is in the open or that it is adequately ventilated before breaking into the system or conducting any hot work. A degree of ventilation shall continue during the period that the work is carried out. The ventilation should safely disperse any released refrigerant and preferably expel it externally into the atmosphere.

Product Overview

Figure 1

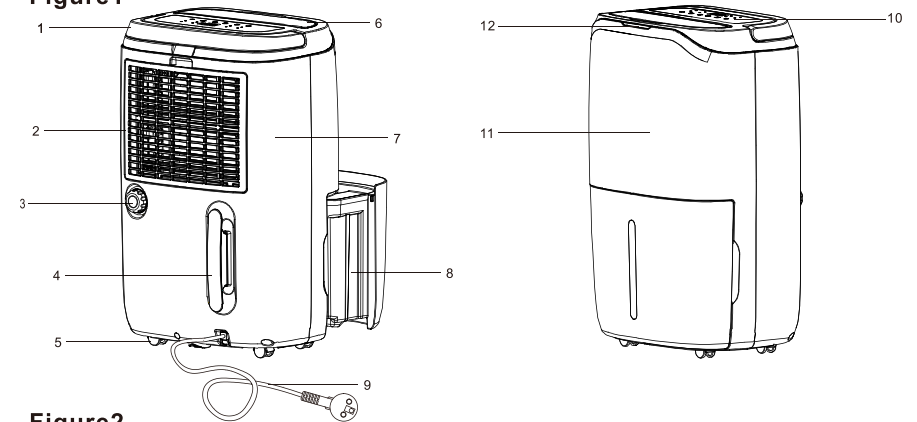


Figure 2

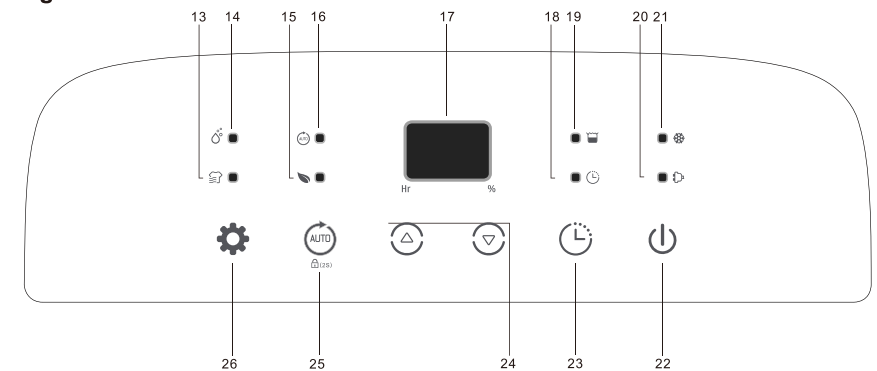
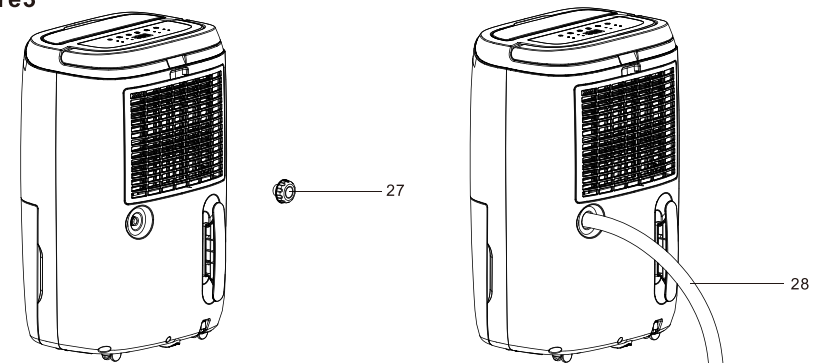


Figure 3



Drainage hose [28] is not supplied with the product and is not required to operate the unit (optional set up for continuous draining). Hose shown for indicative purposes only to demonstrate where to connect hose to the unit. Hose type and length will vary depending on application.

Product Overview

Components

1. Handle
2. Air Inlet Grille and integrated mesh filter
3. Drainage Outlet
4. Power Cord storage bracket
5. Casters
6. Air Outlet
7. Rear Cover
8. Water Tank
9. Power Cord
10. Control Panel
11. Front Cover
12. Triple Humidity Light

Control Panel

13. Laundry Drying Indicator
14. Manual Dehumidifying Indicator
15. Air Purifying Indicator
16. Auto Indicator
17. Humidity Reading
18. Timer Indicator
19. Tank Full Indicator
20. Running Indicator
21. Defrost Indicator
22. Power Button
23. Timer Off Button
24. Up and Down Buttons
25. Auto Button/Child Lock Button
26. Mode Button

Drainage

27. Drainage Outlet Plug
28. Drainage hose (not provided with the unit and not required - optional)

Storage

If the dehumidifier will not be used for a long period of time, take the following steps:

1. Remove the plug from the socket and empty the tank. Allow the tank and the dehumidifier to dry completely, place in a warm location with good airflow, but not in direct sunlight, drying may take a couple of days.
2. Clean the air filter.
3. Check the dehumidifier for damage.
4. Pack the device with the suitable packaging.
5. Store the dehumidifier in a dust-free and out of direct sunlight location, preferably covered with a sheet of plastic.

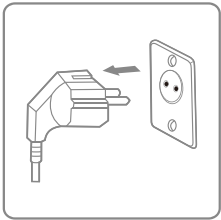
Display Error Codes

Please contact After Sales Support if any of the error codes below appears.

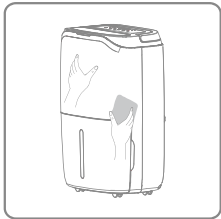
Display Code	E1	E2
Error	Temperature sensor error	Humidity sensor error
Display	Flash every 30 seconds	Flash every 30 seconds
What is happening	Device still dehumidifies but is in defrost mode only.	Device still dehumidifies but is in continuous dehumidifying mode only.

Cleaning

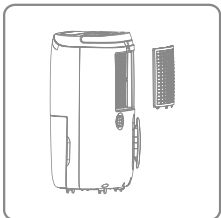
When used regularly, the filter may become clogged with dust and particles. Therefore the filter should be cleaned at least every two weeks. Follow these steps:



1. Switch the device off and remove the plug from the socket before cleaning.



2. Clean the housing with a soft, dry cloth. If the device is extremely dirty, use a mild cleaning agent. Wipe the dehumidifier with a slightly damp cloth. Never spray the device with water.



3. Remove the inlet grille with integrated mesh filter. Clean with a vacuum cleaner or soapy water no hotter than 40°C



4. Rinse and dry the the inlet grille with integrated filter completely before installing back on the device.

Product Instructions

The dehumidifier is used to remove excessive moisture from the air. The resulting reduction in relative humidity protects buildings and their contents from the adverse effects of excess humidity.

Safety Instructions

- This appliance can be used by children aged from 8 years and above and persons with reduced physical, sensory or mental capabilities or lack of experience and knowledge if they have been given supervision or instruction concerning use of the appliance in a safe way and understand the hazards involved. Children shall not play with the appliance. Cleaning and user maintenance shall not be made by children without supervision.
- **THE REFRIGERANT LOOP IS SEALED. ONLY A QUALIFIED TECHNICIAN SHOULD ATTEMPT TO SERVICE!**
- Do not discharge the refrigerant into the atmosphere.
If the supply cord is damaged, it must be replaced by the manufacturer, its service agent or similarly qualified persons in order to avoid a hazard.
The appliance shall be disconnected from its power source during maintenance.
- Ensure the unit is far away from fire, inflammable, or explosive objects.
- Do not use means to accelerate the defrosting process or to clean, other than those recommended by the manufacture.

Safety Instructions

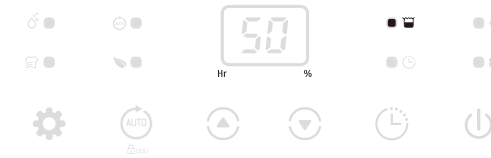
- The appliance shall be stored in a room without continuously operation sources (for example: open flames, an operating gas appliance or an operating electric heater).
- The appliance shall be stored so as to prevent mechanical damage from occurring.
- Do not piece or burn, even after use.
- Pipe-work shall be protected from physical damage and shall not be installed in an unventilated space, if that space is smaller than 8 m².
- Compliance with national gas regulations shall be observed.
- Keep any required ventilation openings clear of obstruction.
- The appliance shall be stored in a well-ventilated area where the room size corresponds to the room area as specified for operation.

Warning

- Failure to abide by this warning could result in an explosion, death, injury and property damage.
- Any person who is involved with working on or breaking into a refrigerant circuit should hold a current valid certificate from an industry-accredited assessment authority, which authorizes their competence to handle refrigerants safely in accordance with an industry, recognized assessment specification.
- Servicing shall only be performed as recommended by the equipment manufacturer. Maintenance and repair requiring the assistance of other skilled personnel shall be carried out under the supervision of the person competent in the use of flammable refrigerants.

Operation Instructions

Auto Shut off with Water Tank Full Indicator



The unit will enter into standby mode when the water tank is full or the water tank is not installed properly. After emptying and re-installing the water tank, the unit will go on to the previous mode.

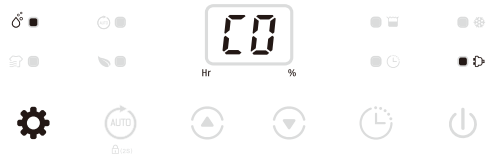
 Except for the power button, all other buttons will cease to operate until the tank is re fitted.

Memory Function:

- a. When the unit is unplugged or after a power cut, the dehumidifier will run in the mode prior to the shutdown. The timer setting will be maintained.
- b. Press the power button to switch off the dehumidifier, and then press the power button to switch it back on. The dehumidifier will run in the mode prior to the shutdown. The timer setting will be canceled.
- c. Switch off the dehumidifier and unplug the power plug, then reconnect the power supply and switch on the dehumidifier. It will run in the factory preset mode like the first time you received the dehumidifier.

Operation Instructions

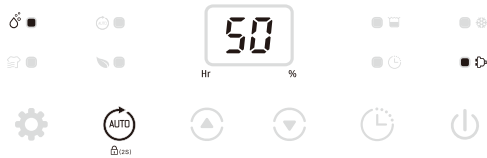
• Manual Mode



Press the mode button 3 times to select Manual mode, the unit runs by default continuous dehumidifying with low fan speed.

In manual mode all buttons are valid.

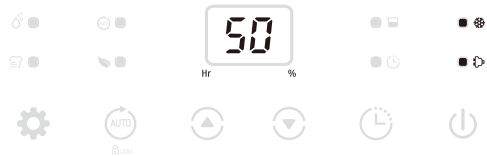
Safety Childlock Function [Auto button-2 seconds]



Press and hold the Auto button for 2s to lock all buttons with a beeping sound, the same operation can unlock it.

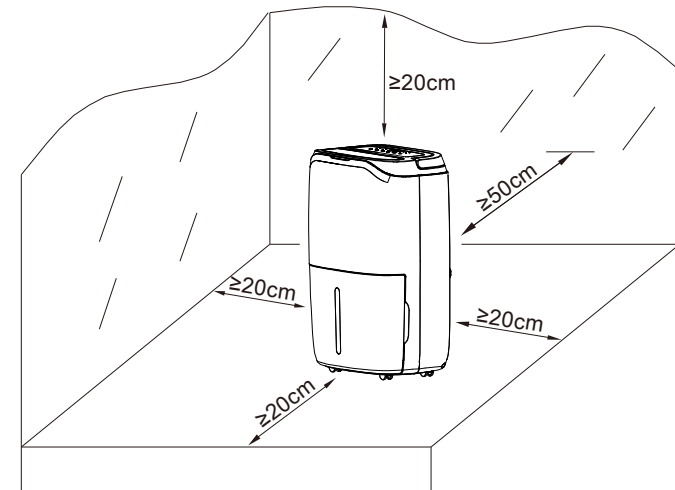
Safety child lock function can be set at standby mode and working mode but can't be activated when the water tank is full.

Low Temperature Defrost Indicator



When the ambient temperature is too low, dehumidifier will enter into the defrost mode, the unit runs with high fan speed without dehumidifying.

Prior to Operation



- Place the dehumidifier in an upright position on a stable, flat surface.
- Ensure the dehumidifier is at a safe distance at least 50cm away from a wall or furniture.
- Supply power should be in correspondence with the value on the nameplate, power outlet needs to be grounded.

- Ensure the tank is correctly fitted, if the tank is full or not in place, the tank full light comes on and the dehumidifier will stop working.

Note: The mesh filter is pre-assembled into the air inlet grille upon purchase.

Continuous Drainage

In general, water will be collected by tank, if you want continuous drainage, please follow the steps in figure 3.

1. Unplug the drainage outlet plug.
2. Insert a suitable length drainage hose with a 19mm inner diameter into water outlet.

Note: always make sure the hose is going downhill, is not blocked or kinked.

Operation Instructions

- Desired setting will be confirmed 3 seconds after the operation.
- Tri-color light will reflect the environment humidity: Red light: RH%>65%; Green light: 55%≤RH%≤65%; Yellow light: RH%<55%.

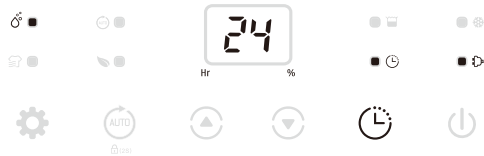
Switch On / Switch Off The Unit [Power button]



Connect to the power supply and press the power button once to turn on the unit, the unit runs by default mode on manual continuous dehumidifying with low fan speed.

- Press the power button to turn the unit off, the fan will continue to operate for a few seconds to blow out the hot air inside the unit.

Auto Shut-off Timer Function [Timer button]



Press the timer button, then press up/down buttons to select your preferred number of hour from 00-24. The appliance will shut off automatically once the selected number of hours is reached.

- Auto timer function will be canceled if the timer button is pressed twice in 5 seconds.
- Auto timer function will be canceled if the appliance is switch off and on again.

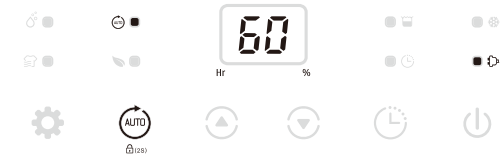
Humidity Setting [Up and Down buttons]



Press the up/down buttons to select your preferred humidity from CO-30%-35%-40%-45%- 50% -55%-60%-65%-70%-75%-80%-CO. CO means continuous dehumidifying regardless of ambient humidity.

Operation Instructions

Auto Dehumidifying Function [Auto button]



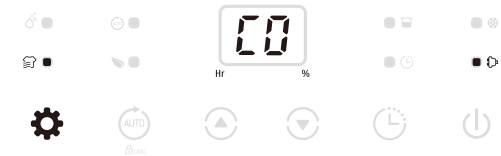
Press the auto button to select the Auto dehumidifying mode, the unit runs automatically accordance to the ambient humidity detected below.

Ambient RH% detected	Compressor	Fan Speed Level
RH%>65%	Working	High
55%≤RH%≤65%	Working	Low
RH%<55%	Not working	Low

- Up/Down buttons are invalid.

Multifunction Optional [Mode button]

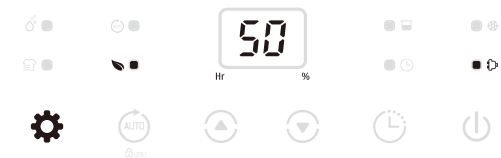
• Laundry Drying Mode



At manual mode, press the mode button once to select Laundry Drying mode, the unit runs in continuous dehumidification with high fan speed for 6 hours then switches off automatically.

- Timer button is invalid.

• Air Purifying Mode



Press the mode button 2 times to select Air Purifying mode, the unit runs with high fan speed without dehumidifying.