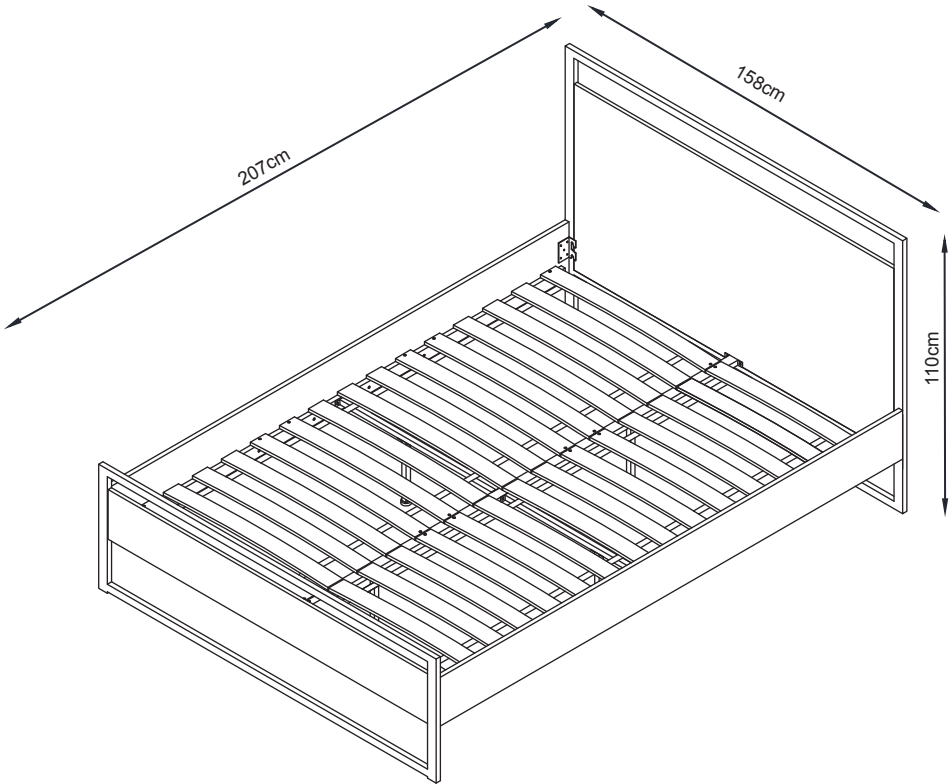


# LIVING & CO<sup>®</sup>



## Austin Queen Bed






### INSTRUCTION MANUAL

Maximum Weight - 220kgs

AFTER SALES SUPPORT

  0800 422 274

# Assembly Details

<p><b>60</b> Min Approximate Assembly Time</p>	<p> 2 Person Assembly</p>	<p>Floor Area 3m x 3m</p> <p> Required Assembly Space</p>
<p> Tools Required</p>		

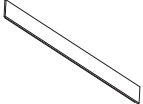

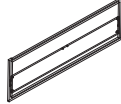



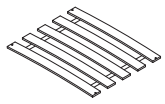
## Tips before you start

- 1 For the protection of your furniture, we recommend that the product is placed on a protected surface during assembly to prevent any damage
- 2 Please check that all parts are present before you start the assembly of your furniture.
- 3 For ease and speed of assembly, we recommend that you identify all the parts required for each step before commencing with assembly.
- 4 For larger items, please ensure that you have sufficient space and people (as indicated on page 1) to assemble your product safely.
- 5 We recommend that, where possible, all items are assembled near to the area in which they will be placed in use, to avoid moving the product unnecessarily.
- 6 During assembly please take care not to over-tighten hardware, as this may damage the product. Do not use power tools.
- 7 Always place the product on a steady and stable surface.
- 8 Do not stand on the product. Do not use the product as a stepladder.
- 9 This product is intended for indoor, household use only as it is a non-industrial product.

## Care and maintenance

- ✓ Please periodically check all things and re-tighten as necessary.
- ✓ To clean your item, please use a damp cloth and wipe clean.
- ✓ Never allow any kind of liquid to remain on your furniture.
- ✓ Please do not place hot items (eg. Hot drinks) directly on to the surface.

# Part List

					
1	2 PCS	2	1 PC	3	1 PC
					
4	4 PCS	5	1 PC	6	2 PCS
					
				7	6 PCS

# Hardware List



16 x A  
Bolt  
6x12mm



20 x B  
Screw  
4x16mm



2 x C  
Bracket



2 x D  
Bracket



8 x E  
Bolt  
8x10mm



4 x F  
Foot



2 x G  
Bolt  
6x55mm



2 x H  
Nut



24 x I  
Screw  
4x18mm



1 x J  
Allen Key

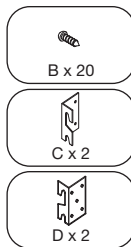
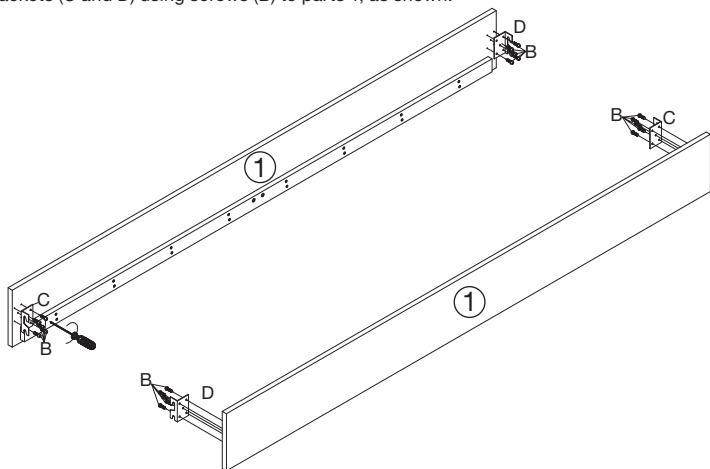


1 x K  
Spanner

# Assembly

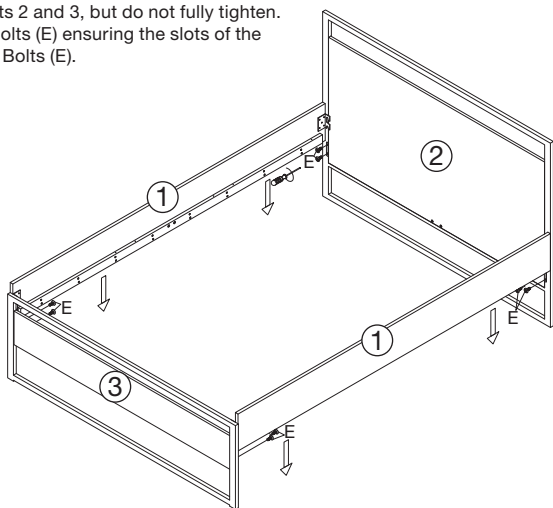
## STEP 1

Fix brackets (C and D) using screws (B) to parts 1, as shown.



## STEP 2

Install Bolts (E) into parts 2 and 3, but do not fully tighten. Slide Parts 1 over the Bolts (E) ensuring the slots of the brackets hang onto the Bolts (E).



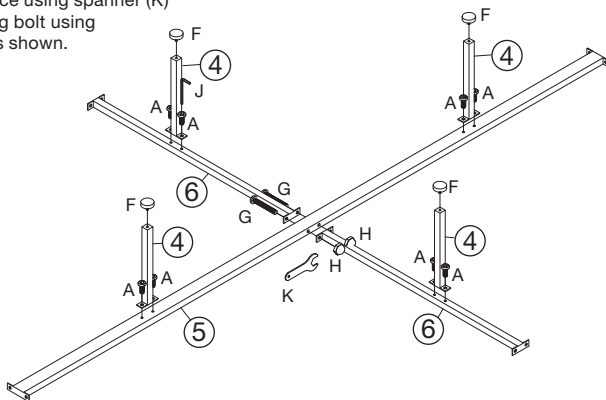
# Assembly

## STEP 3

Fix feet (F) to parts 4, as shown.

Fix parts 4 to parts 5 and 6 using bolts (A) and allen key (J).

Fix parts 5 and 6 together using bolts (G) and nuts (H).  
Hold nut in place using spanner (K)  
while tightening bolt using  
allen key (J), as shown.



A x 8



F x 4



G x 2



H x 2



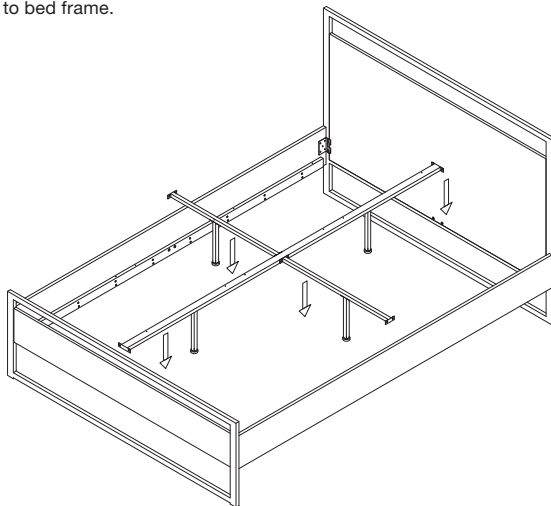
J x 1



K x 1

## STEP 4

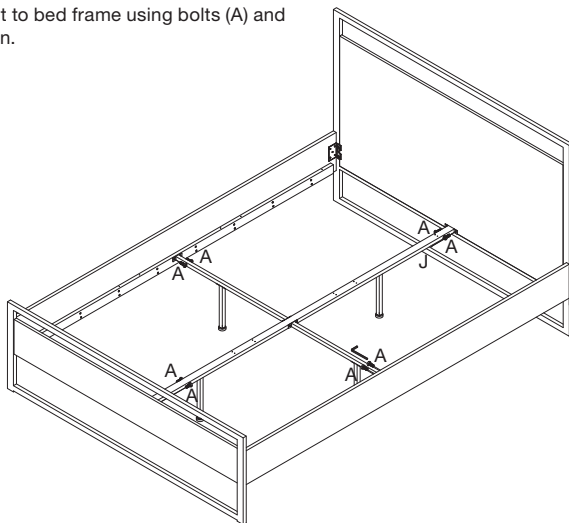
Fit assembled unit to bed frame.



# Assembly

## STEP 5

Fix assembled unit to bed frame using bolts (A) and allen key, as shown.

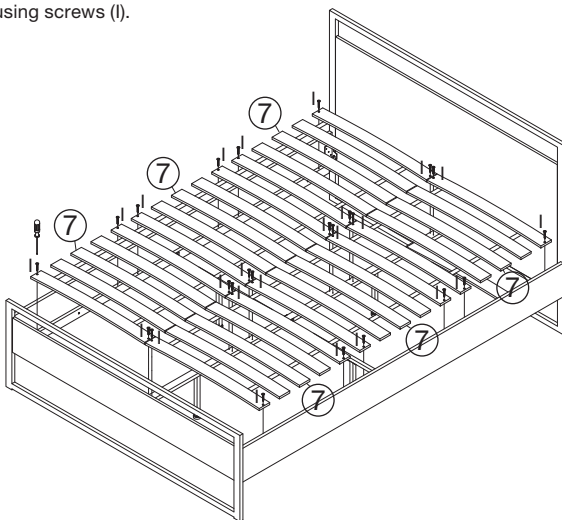


A x 8

J x 1

## STEP 6

Fix slats 7 to bed frame using screws (I).

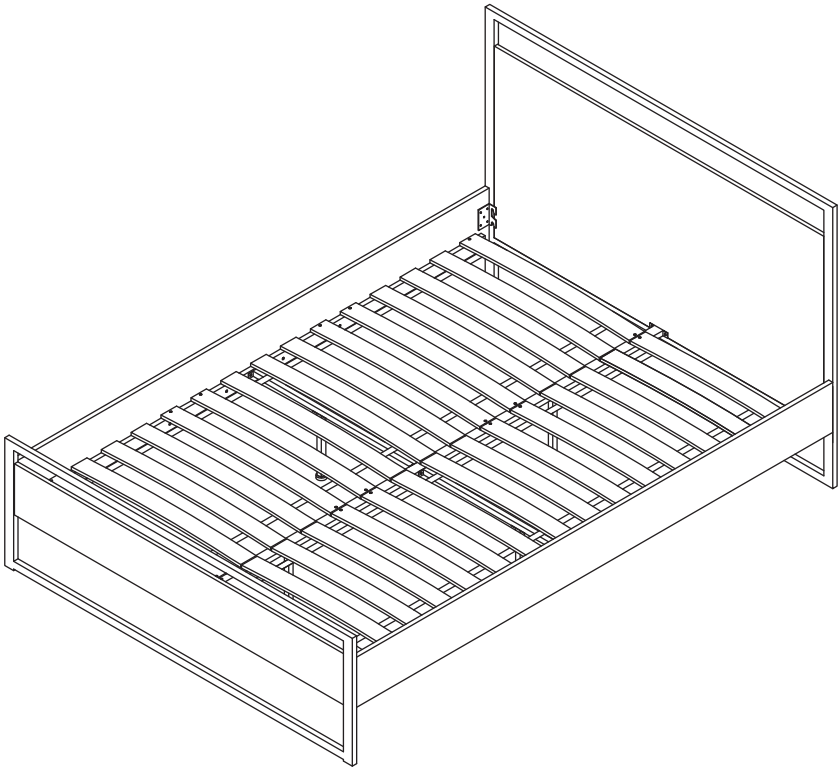


I x 24

# Assembly

## STEP 7

Your queen bed is ready for use.



**Please note: Before use, ensure bolts are fully tightened.  
Do not over tighten bolts.**

**Adjust the feet if needed to ensure the bed is stable and safe to use.**





# LIVING & CO<sup>®</sup>

## WARRANTY

We pride ourselves on producing a range of quality products that are both packed with features and completely reliable.

We are so confident in our products, we back them up with a one year warranty. Now you too can relax knowing that you are covered.

Customer Helpline NZ: 0800 422 274

This product is covered by one year warranty when accompanied by proof of purchase.