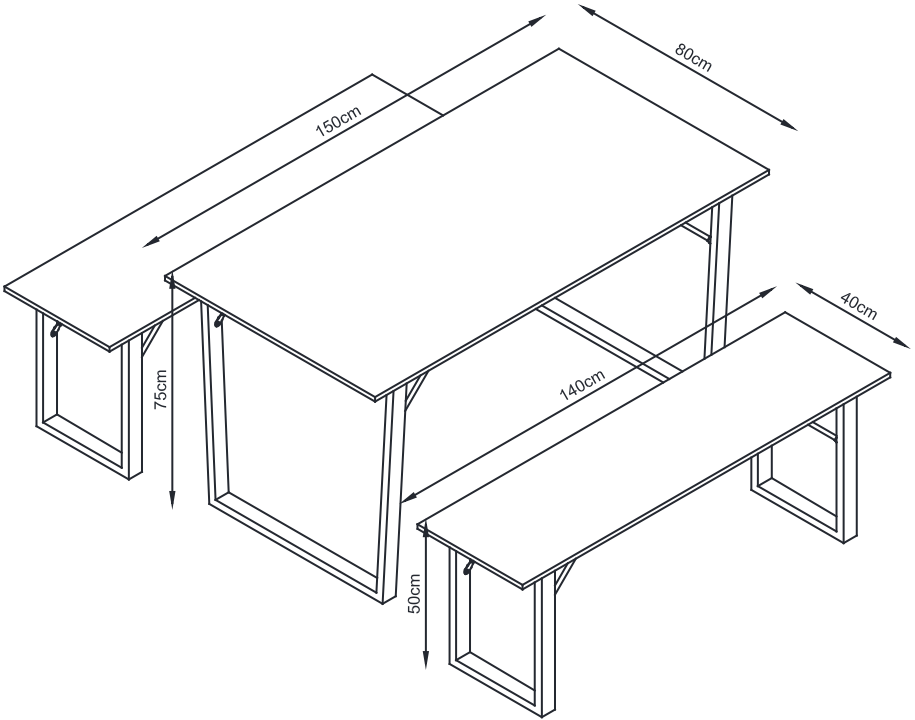


LIVING & CO[®]



Austin Dining Suite






INSTRUCTION MANUAL

Maximum recommended weight 150kgs for the table and 300kgs per seat

AFTER SALES SUPPORT

  0800 422 274

Assembly Details

<p>60 Min Approximate Assembly Time</p>	<p> 2 Person Assembly</p>	<p>Floor Area 3m x 3m</p> <p> Required Assembly Space</p>
<p> Tools Required</p>		

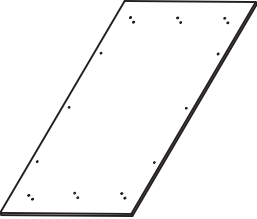
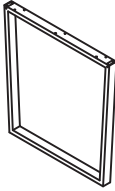
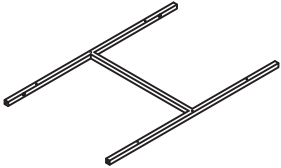
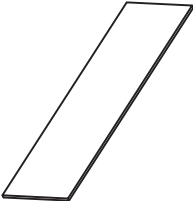
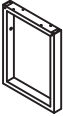
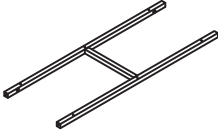

Tips before you start

- 1 For the protection of your furniture, we recommend that the product is placed on a protected surface during assembly to prevent any damage
- 2 Please check that all parts are present before you start the assembly of your furniture.
- 3 For ease and speed of assembly, we recommend that you identify all the parts required for each step before commencing with assembly.
- 4 For larger items, please ensure that you have sufficient space and people (as indicated on page 1) to assemble your product safely.
- 5 We recommend that, where possible, all items are assembled near to the area in which they will be placed in use, to avoid moving the product unnecessarily.
- 6 During assembly please take care not to over-tighten hardware, as this may damage the product. Do not use power tools.
- 7 Always place the product on a steady and stable surface.
- 8 Do not stand on the product. Do not use the product as a stepladder.
- 9 This product is intended for indoor, household use only as it is a non-industrial product.


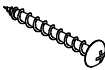
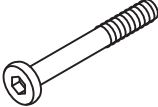




Care and maintenance

- ✓ Please periodically check all things and re-tighten as necessary.
- ✓ To clean your item, please use a damp cloth and wipe clean.
- ✓ Never allow any kind of liquid to remain on your furniture.
- ✓ Please do not place hot items (eg. Hot drinks) directly on to the surface.

Part List

			
1 1 PC	2 2 PCS	3 1 PC	
			
4 2 PCS	5 4 PCS	6 2 PCS	7 12 PCS

Hardware List

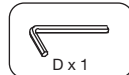
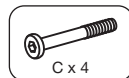
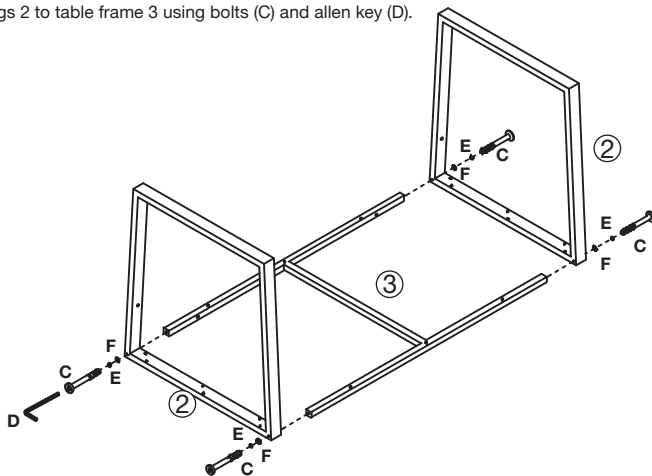
					
28 x A Bolt 6 x 35mm	18 x B Screw 5 x 35mm	12 x C Bolt 6 x 70mm	1 x D Allen Key	40 x E Spring Washer	40 x F Washer
					
24 x G Bolt 6 x 15mm					

Assembly

STEP 1

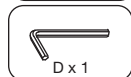
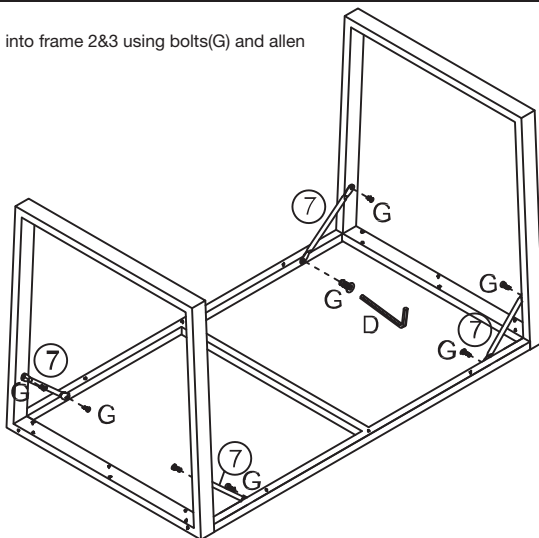
TABLE

Fix legs 2 to table frame 3 using bolts (C) and allen key (D).



STEP 2

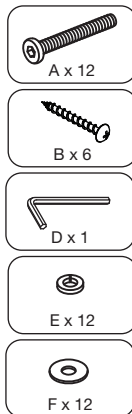
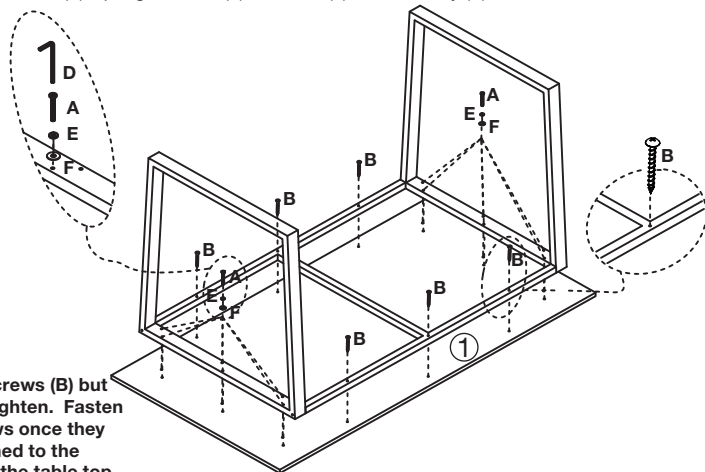
Fix metal wire 7 into frame 2&3 using bolts(G) and allen key(D).



Assembly

STEP 3

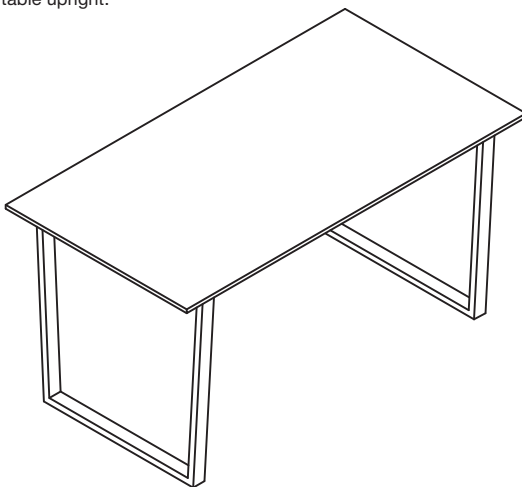
Fix assembled frame to table top 1 using bolts (A), screws (B), spring washers (E), washers (F) and allen key (D).



Note:
Insert screws (B) but do not tighten. Fasten all screws once they are aligned to the holes of the table top.

STEP 4

Carefully turn the dining table upright.

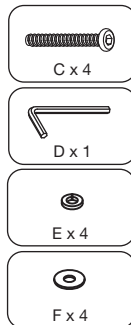
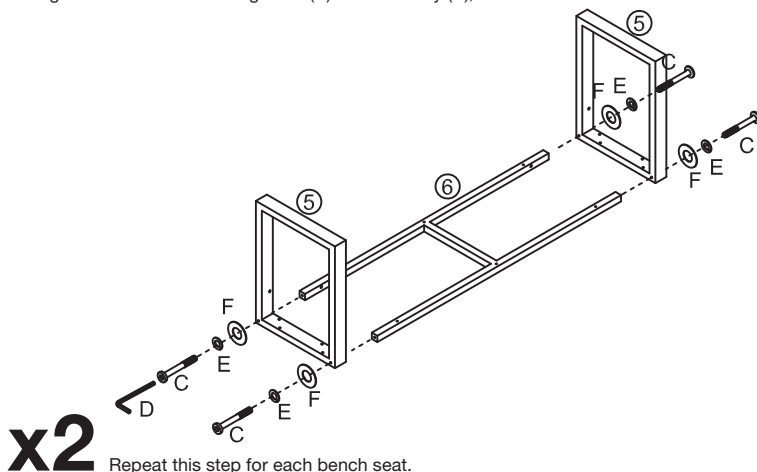


Assembly

STEP 5

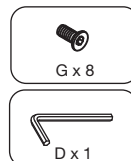
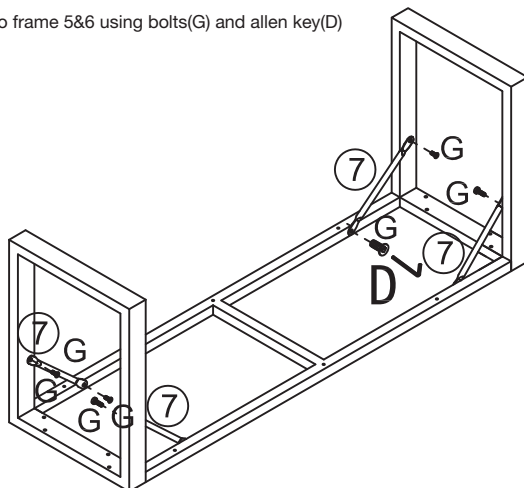
BENCH SEAT

Fix legs 5 to seat frame 6 using bolts (C) and allen key (D), as shown.



STEP 6

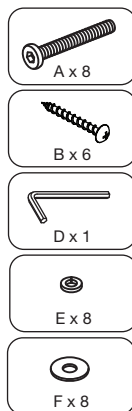
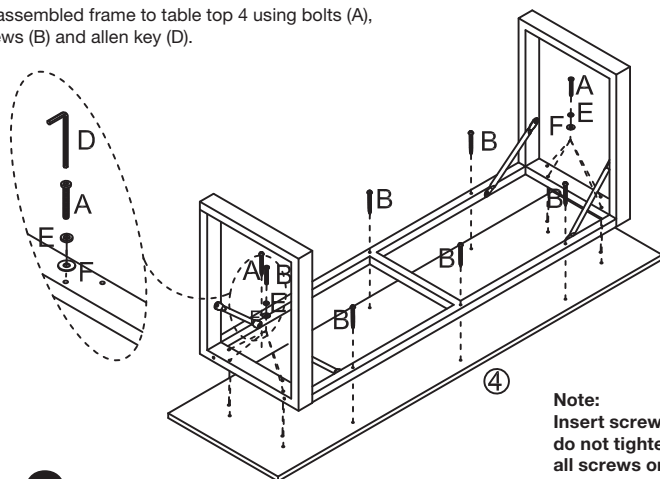
Fix metal wire 7 into frame 5&6 using bolts(G) and allen key(D)



Assembly

STEP 7

Fix assembled frame to table top 4 using bolts (A), screws (B) and allen key (D).



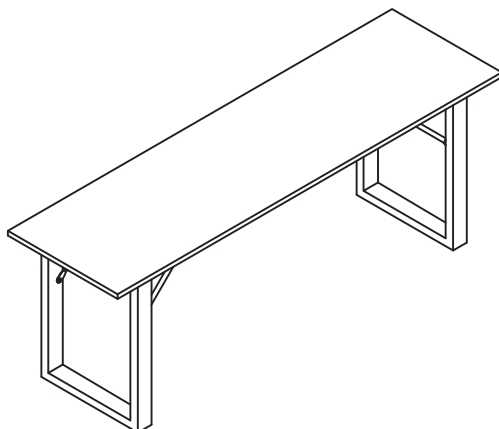
x2

Repeat this step for each bench seat.

Note:
Insert screws (B) but do not tighten. Fasten all screws once they are aligned to the holes of the seat top.

STEP 8

Carefully turn the assembled bench seat upright.



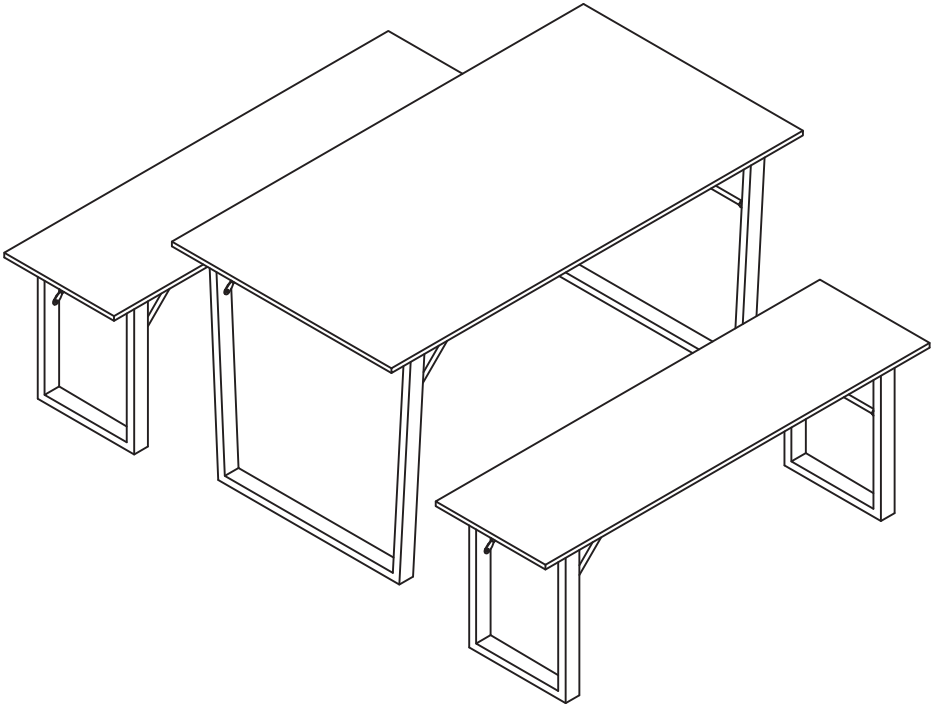
x2

Repeat this step for each bench seat.

Assembly

STEP 9

Your dining suite is ready for use.





LIVING & CO[®]

WARRANTY

We pride ourselves on producing a range of quality products that are both packed with features and completely reliable.

We are so confident in our products, we back them up with a one year warranty. Now you too can relax knowing that you are covered.

Customer Helpline NZ: 0800 422 274

This product is covered by one year warranty when accompanied by proof of purchase.