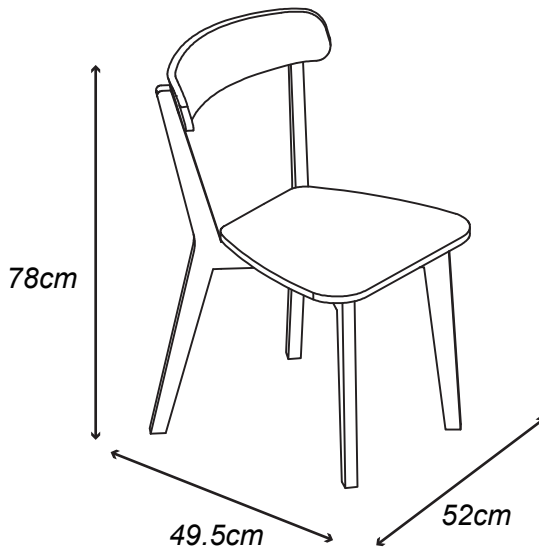


LIVING & CO[®]



WINSLOW DINING CHAIR



INSTRUCTION MANUAL

Maximum Weight 100KG

Assembly Details

<p>15 Min <i>Approximate Assembly Time</i></p>	<p> <i>1 Person Assembly</i></p>	<p>1.5Mx1.5M <i>Required Assembly Space</i></p>
<p> <i>Tools are Required</i></p>		

Tips before you start

- 1 Please check that all parts are present before you start the assembly of your furniture.
- 2 For ease and speed of assembly, we recommend that before you commence each step of the assembly, that you identify all the parts required for that step.
- 3 For larger items, please ensure that you have sufficient space and people (as indicated on page 1) to assemble your product safely.
- 4 We recommend that, where possible, all items are assembled near to the area in which.
- 5 They will be placed in use, to avoid moving the product unnecessarily once assembled.
- 6 For the protection of your furniture, we recommend that the product is placed on a protected surface during assembly to prevent any damage.
- 7 During assembly please take care not to over-tighten anythings, as this may damage the product. Do not use power tools.
- 8 Always place the product on a steady and stable surface.
- 9 Do not stand on the product. Do not use the product as a stepladder.
- 10 This product is intended for indoor, household use only as it is a non-industrial product.
- 11 Please use caution and care when lifting the product to avoid personal injury and/or product damage.

Care and maintenance

- ✓ Please periodically check all things and re-tighten as necessary.
- ✓ To clean your item, please use a damp cloth and wipe clean.
- ✓ Never allow any kind of liquid to remain on your furniture. Absorption can cause wood to warp or finishes to de-laminate.
- ✓ Please do not place hot items (eg. hot drinks) directly on to the surface.
- ✓ Please do not drag and pull your furniture.

Part Name

HARDWARE LIST



① 8pcs

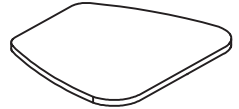
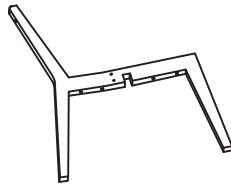
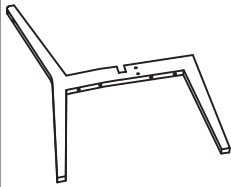
② 8pcs

③ 4pcs

④ 1pc

⑤ 4pcs

PARTS LIST



A 1pc

B 1pc

C 2pcs

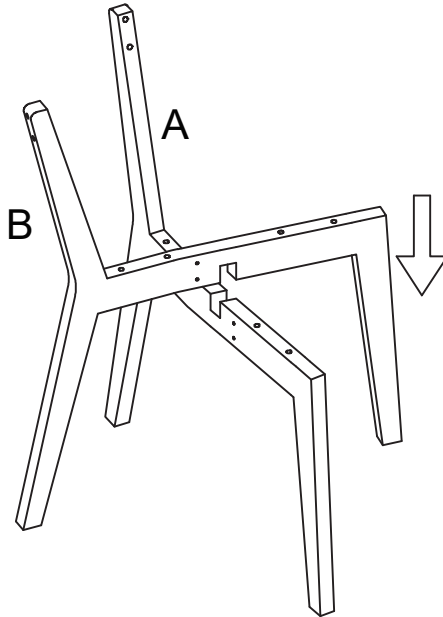
D 1pc



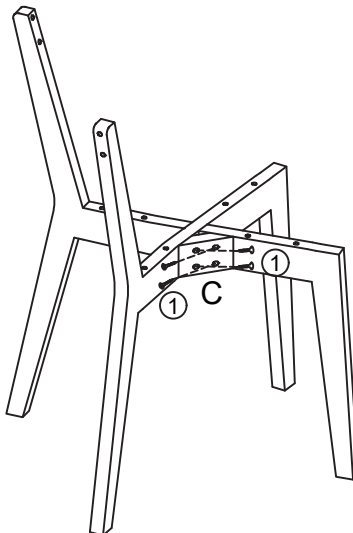
E 1pc

Assembly

STEP 1

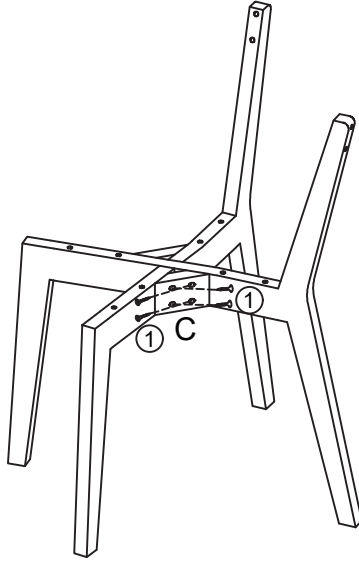


STEP 2

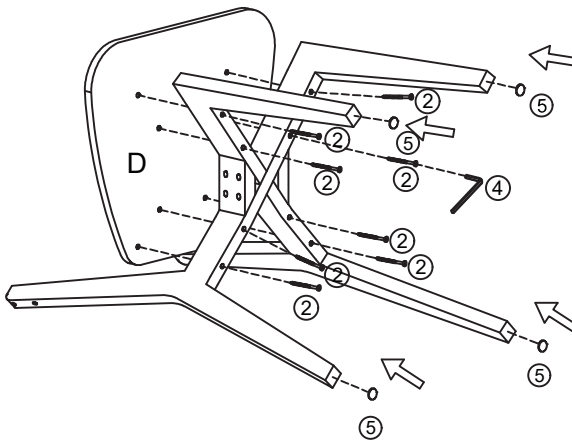


Assembly

STEP3

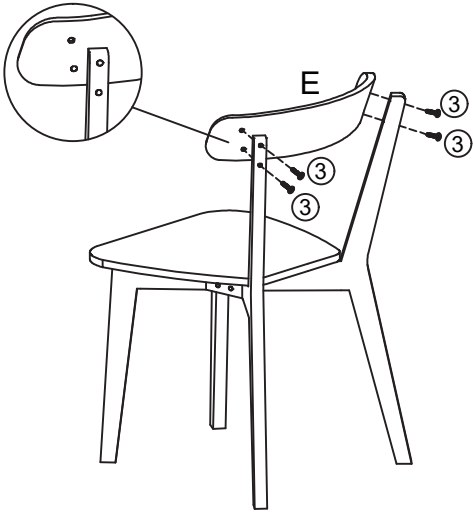


STEP4

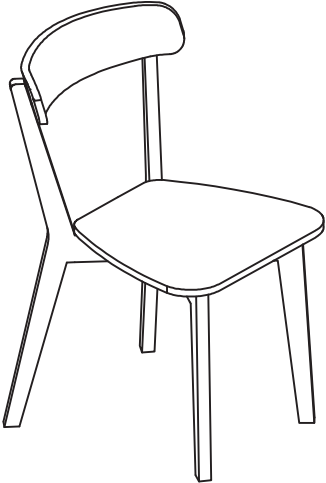


Assembly

STEP 5



STEP 6





LIVING & CO[®]

Warranty

We pride ourselves on producing a range of quality products that are both packed with features and completely reliable. We are so confident in our products, we back them up with a one year warranty.

Now you too can relax knowing that you are covered.

Customer Helpline NZ: 0800 422 274

This product is covered by one year warranty when accompanied by proof of purchase.