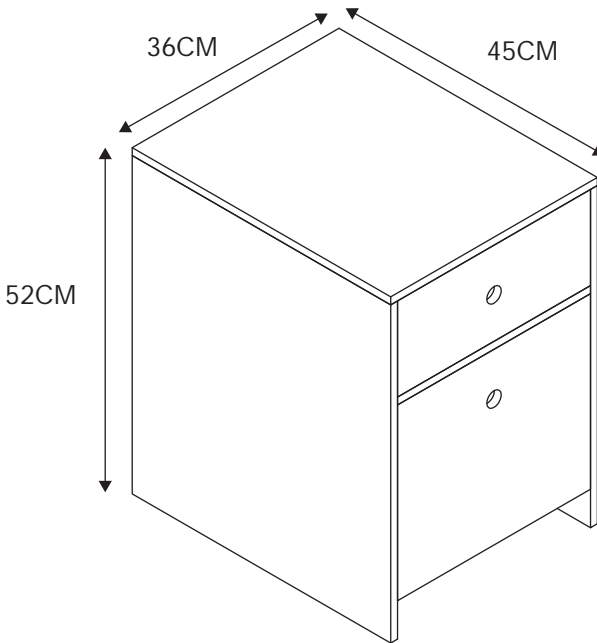


# LIVING & CO<sup>®</sup>




## PANDI KIDS STORAGE S/TBL



### INSTRUCTION MANUAL

The Maximum Weight per drawer can hold up to 3kgs

# Assembly Details

<p><b>30</b><sub>Min</sub></p> <p>Approximate Assembly Time</p>	<p></p> <p>1 Person Assembly</p>	<p>Floor Area 2m x 2m</p> <p></p> <p>Required Assembly Space</p>
<p></p> <p>Tools Required</p>		

## Tips before you start

- 1 For the protection of your furniture, we recommend that the product is placed on a protected surface during assembly to prevent any damage
- 2 Please check that all parts are present before you start the assembly of your furniture.
- 3 For ease and speed of assembly, we recommend that you identify all the parts required for each step before commencing with assembly.
- 4 For larger items, please ensure that you have sufficient space and people (as indicated on page 1) to assemble your product safely.
- 5 We recommend that, where possible, all items are assembled near to the area in which they will be placed in use, to avoid moving the product unnecessarily.
- 6 During assembly please take care not to over-tighten hardware, as this may damage the product. Do not use power tools.
- 7 Always place the product on a steady and stable surface.
- 8 Do not stand on the product. Do not use the product as a stepladder.
- 9 This product is intended for indoor, household use only as it is a non-industrial product.

## Care and maintenance

- ✓ Please periodically check all things and re-tighten as necessary.
- ✓ To clean your item, please use a damp cloth and wipe clean.
- ✓ Never allow any kind of liquid to remain on your furniture.
- ✓ Please do not place hot items (eg. Hot drinks) directly on to the surface.

# Hardware List



A x 16



B x 14



C x 14



D x 26



E x 2



F x 2



G x 1



H x 1



I x 8

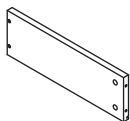


J x 1

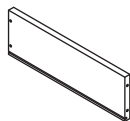


K x 1

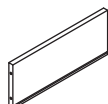
# Part List



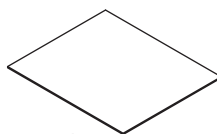
① x 1



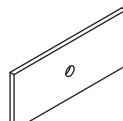
② x 1



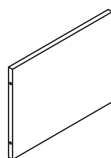
③ x 1



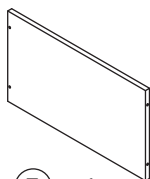
④ x 1



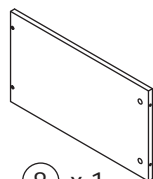
⑤ x 1



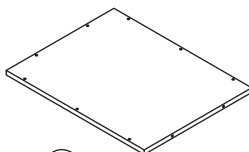
⑥ x 1



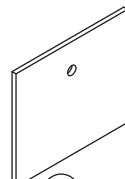
⑦ x 1



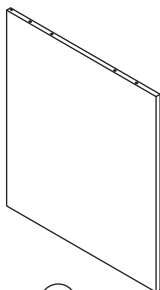
⑧ x 1



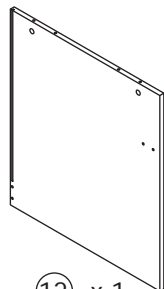
⑨ x 1



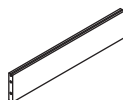
⑩ x 1



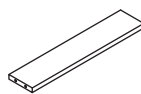
⑪ x 2



⑫ x 1



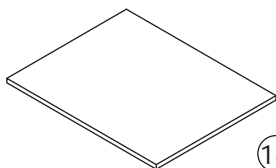
⑬ x 1



⑭ x 1



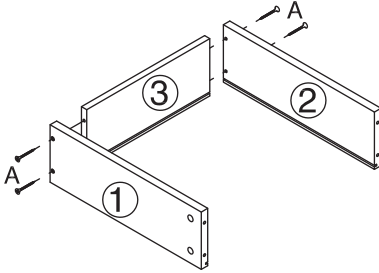
⑮ x 1



⑯ x 1

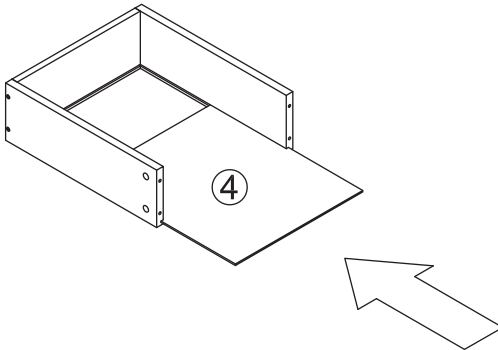
# Assembly

## Step 1



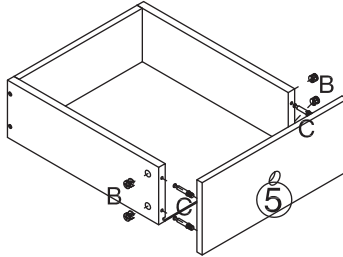
A x 4

## Step 2



# Assembly

## Step 3

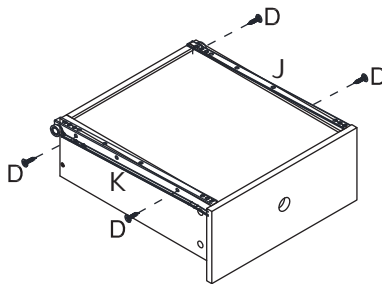


B x 4



C x 4

## Step 4



D x 4



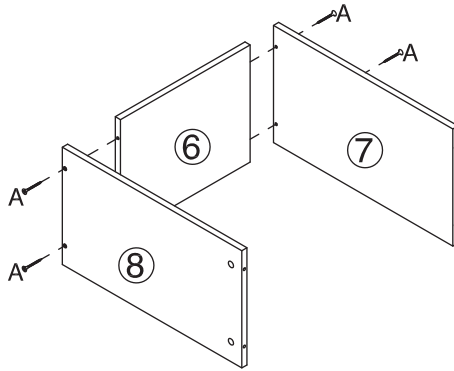
K x 1



J x 1

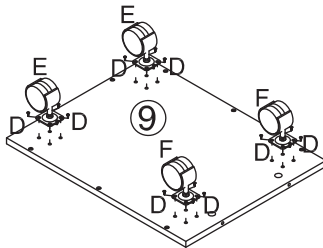
# Assembly

## Step 5



A x 4

## Step 6



D x 16



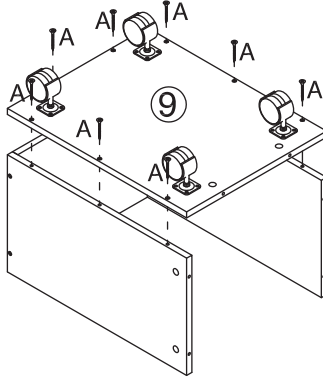
E x 2



F x 2

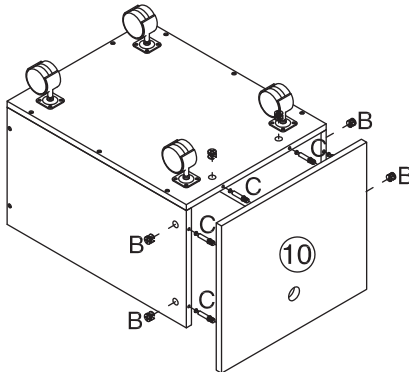
# Assembly

## Step 7



A x 8

## Step 8



B x 6

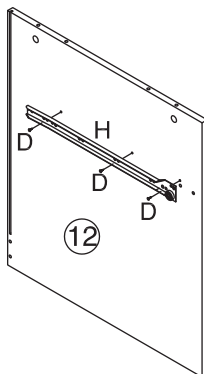
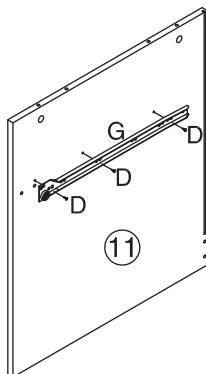


C x 6



# Assembly

## Step 9



D x 6

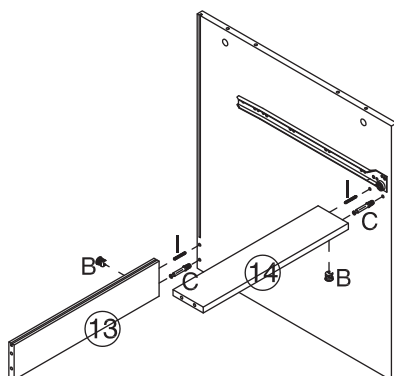


G x 1

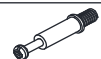


H x 1

## Step 10



B x 2



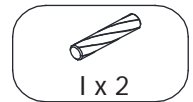
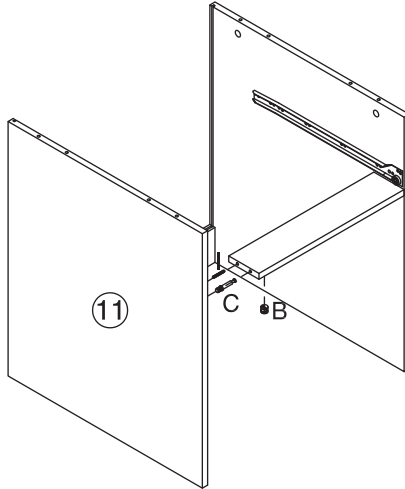
C x 2



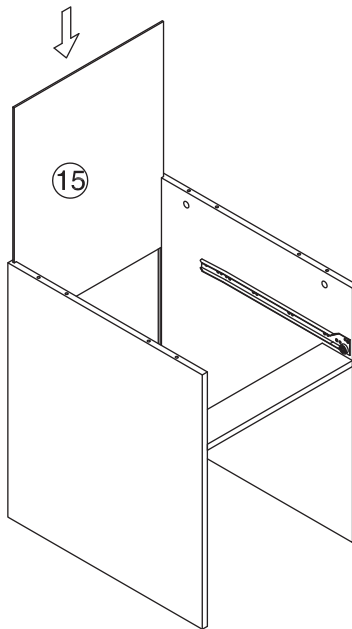
I x 2

# Assembly

## Step 11

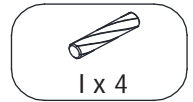
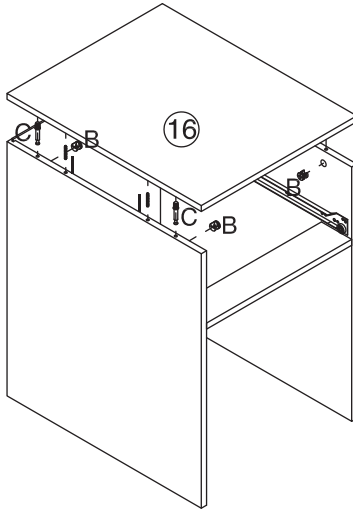


## Step 12

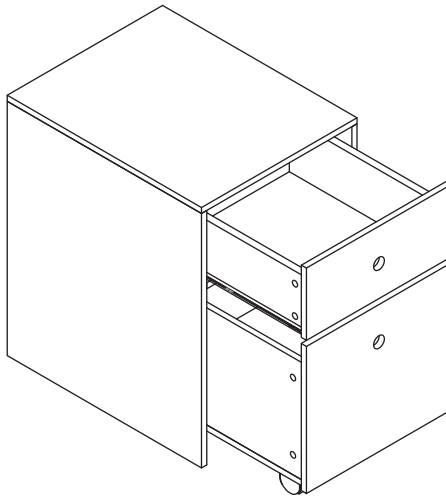


# Assembly

## Step 13



## Step 14





# LIVING & CO<sup>®</sup>

## Warranty

We pride ourselves on producing a range of quality products that are both packed with features and completely reliable. We are so confident in our products, we back them up with a one year warranty.

Now you too can relax knowing that you are covered.

Customer Helpline NZ: 0800 422 274  
This product is covered by one year warranty  
when accompanied by proof of purchase.