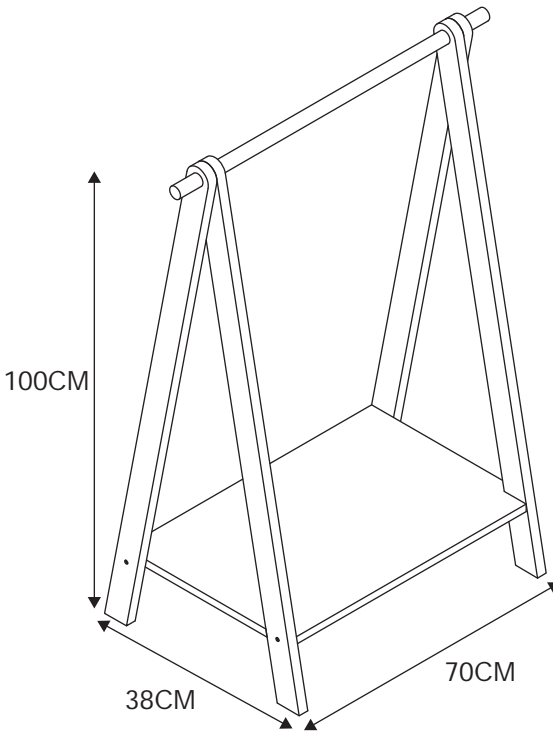


# LIVING & CO<sup>®</sup>




## PANDI KIDS GARMENT RACK



### INSTRUCTION MANUAL

The Maximum Weight per shelf can hold up to 10kgs, per crossbar can hold up to 5kgs

# Assembly Details

<p><b>30</b><sub>Min</sub></p> <p>Approximate Assembly Time</p>	<p></p> <p>1 Person Assembly</p>	<p>Floor Area 2m x 2m</p> <p></p> <p>Required Assembly Space</p>
<p></p> <p>Tools Required</p>		

## Tips before you start

- 1 For the protection of your furniture, we recommend that the product is placed on a protected surface during assembly to prevent any damage
- 2 Please check that all parts are present before you start the assembly of your furniture.
- 3 For ease and speed of assembly, we recommend that you identify all the parts required for each step before commencing with assembly.
- 4 For larger items, please ensure that you have sufficient space and people (as indicated on page 1) to assemble your product safely.
- 5 We recommend that, where possible, all items are assembled near to the area in which they will be placed in use, to avoid moving the product unnecessarily.
- 6 During assembly please take care not to over-tighten hardware, as this may damage the product. Do not use power tools.
- 7 Always place the product on a steady and stable surface.
- 8 Do not stand on the product. Do not use the product as a stepladder.
- 9 This product is intended for indoor, household use only as it is a non-industrial product.

## Care and maintenance

- ✓ Please periodically check all things and re-tighten as necessary.
- ✓ To clean your item, please use a damp cloth and wipe clean.
- ✓ Never allow any kind of liquid to remain on your furniture.
- ✓ Please do not place hot items (eg. Hot drinks) directly on to the surface.

## Hardware List



A x 4

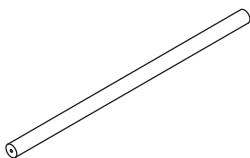


B x 4

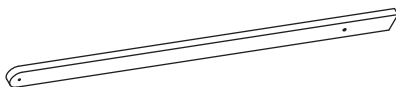
## Part List



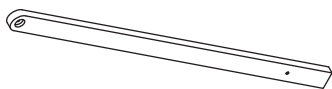
① x 2



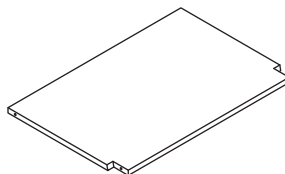
② x 1



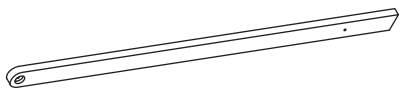
③ x 1



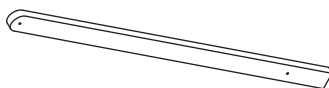
④ x 1



⑤ x 1



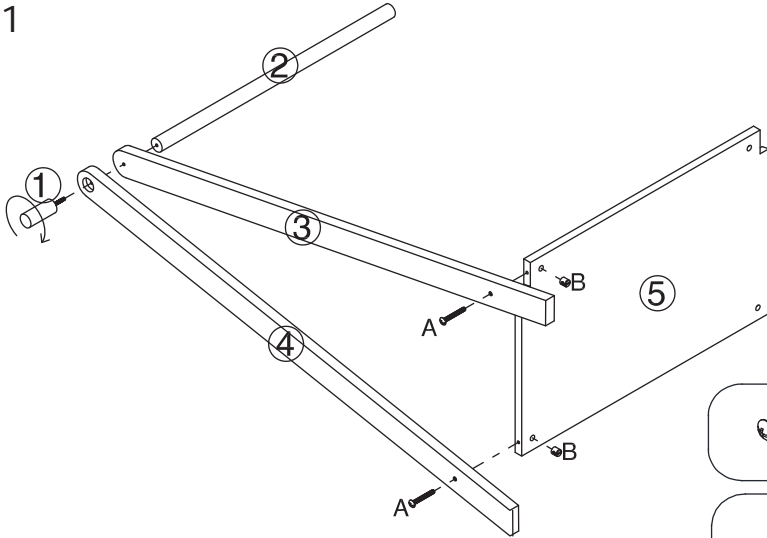
⑥ x 1



⑦ x 1

# Assembly

## Step 1

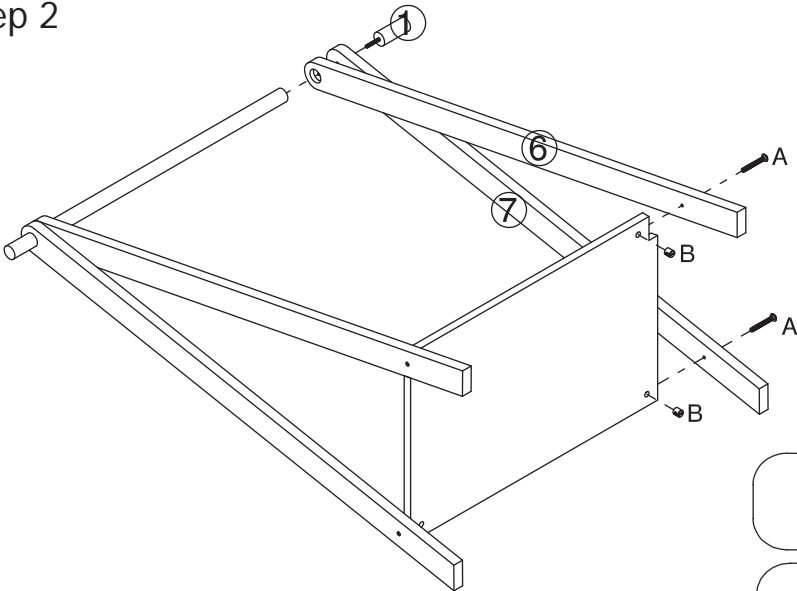


A x 2



B x 2

## Step 2



A x 2



B x 2



# LIVING & CO<sup>®</sup>

## Warranty

We pride ourselves on producing a range of quality products that are both packed with features and completely reliable. We are so confident in our products, we back them up with a one year warranty.

Now you too can relax knowing that you are covered.

Customer Helpline NZ: 0800 422 274  
This product is covered by one year warranty  
when accompanied by proof of purchase.