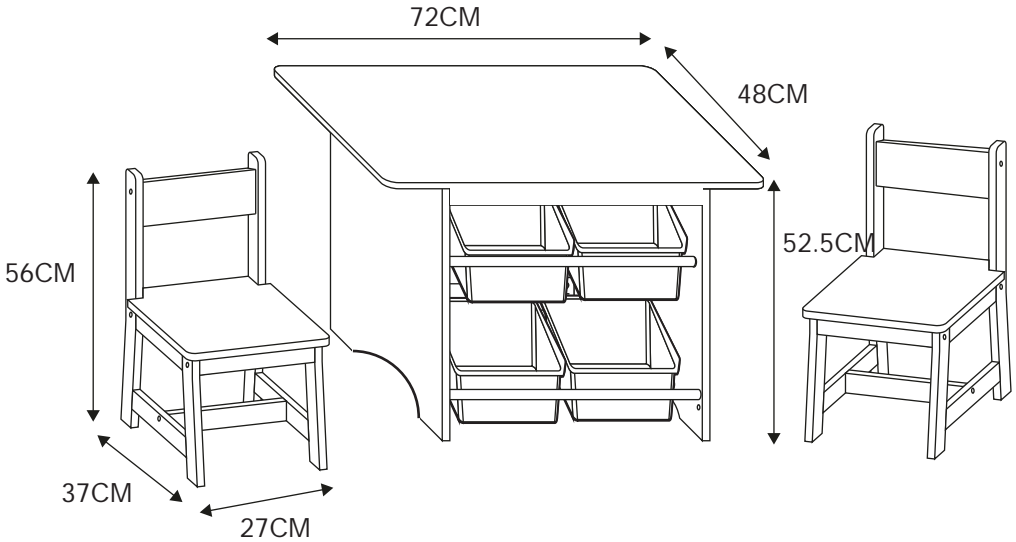


LIVING & CO[®]




PANDI TBL/CHR SET



INSTRUCTION MANUAL

The Maximum Weight per plastic bin can hold up to 3kgs,
per table can hold up to 15kgs, per chair can hold up to 25kgs.

Assembly Details

<p>50_{Min}</p> <p>Approximate Assembly Time</p>	<p></p> <p>1 Person Assembly</p>	<p>Floor Area 2m x 2m</p> <p></p> <p>Required Assembly Space</p>
<p></p> <p>Tools Required</p>		

Tips before you start

- 1 For the protection of your furniture, we recommend that the product is placed on a protected surface during assembly to prevent any damage
- 2 Please check that all parts are present before you start the assembly of your furniture.
- 3 For ease and speed of assembly, we recommend that you identify all the parts required for each step before commencing with assembly.
- 4 For larger items, please ensure that you have sufficient space and people (as indicated on page 1) to assemble your product safely.
- 5 We recommend that, where possible, all items are assembled near to the area in which they will be placed in use, to avoid moving the product unnecessarily.
- 6 During assembly please take care not to over-tighten hardware, as this may damage the product. Do not use power tools.
- 7 Always place the product on a steady and stable surface.
- 8 Do not stand on the product. Do not use the product as a stepladder.
- 9 This product is intended for indoor, household use only as it is a non-industrial product.

Care and maintenance

- ✓ Please periodically check all things and re-tighten as necessary.
- ✓ To clean your item, please use a damp cloth and wipe clean.
- ✓ Never allow any kind of liquid to remain on your furniture.
- ✓ Please do not place hot items (eg. Hot drinks) directly on to the surface.

Hardware List



A x 12



B x 20



C x 24



D x 36



E x 20

Part List



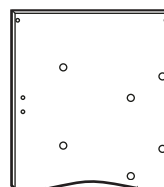
① x 1



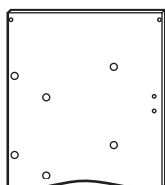
② x 2



③ x 1



④ x 1



⑤ x 1



⑥ x 4



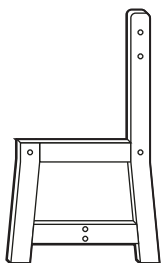
⑦ x 2



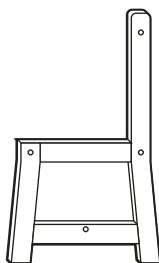
⑧ x 2



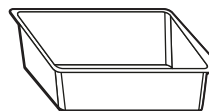
⑨ x 2



⑩ x 2



⑪ x 2



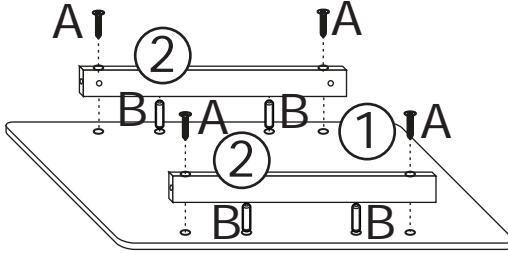
⑫ x 4



⑬ x 6

Assembly

Step 1

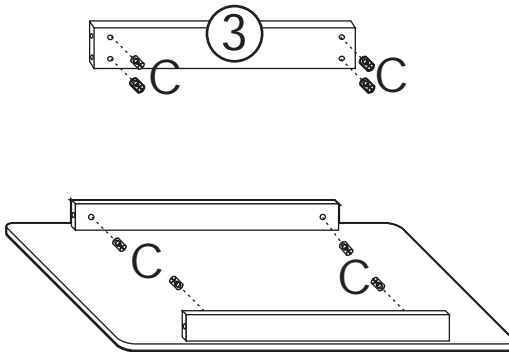


A x 4



B x 4

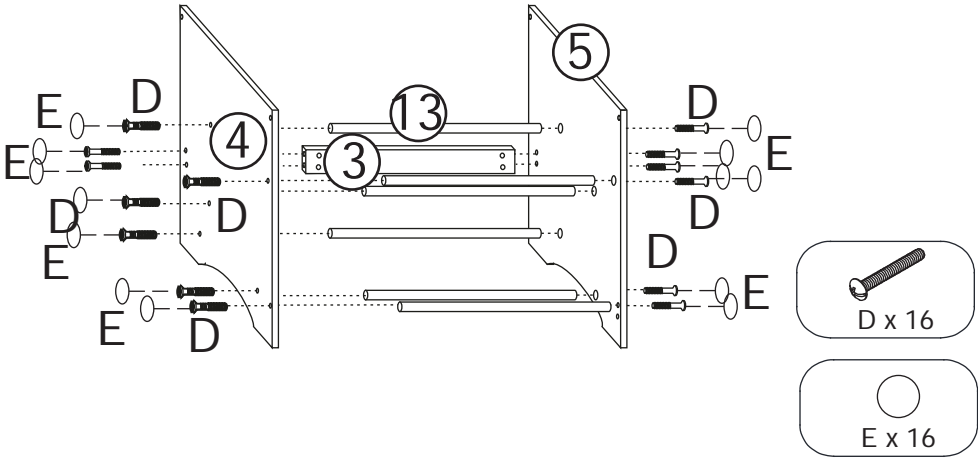
Step 2



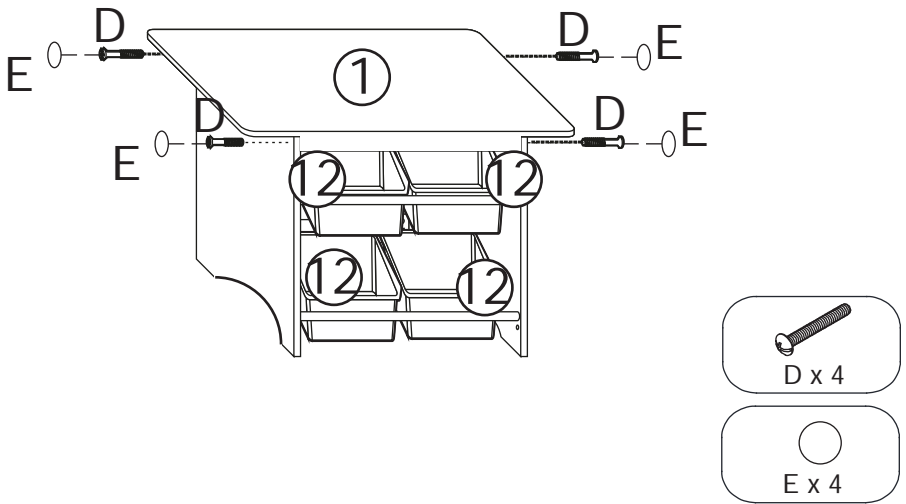
C x 8

Assembly

Step 3

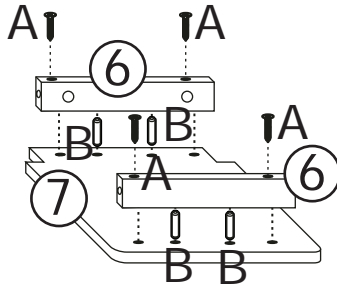


Step 4



Assembly

Step 5



X2

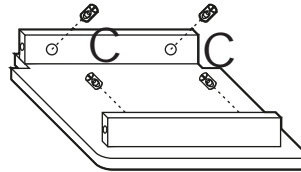
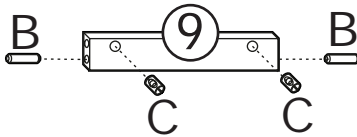
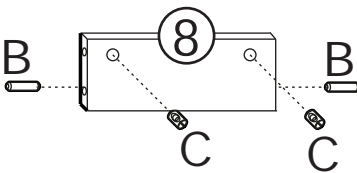


A x 8



B x 8

Step 6



X2



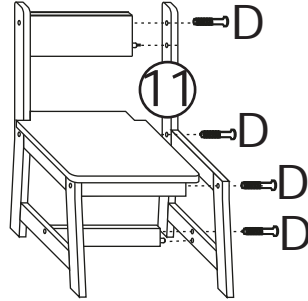
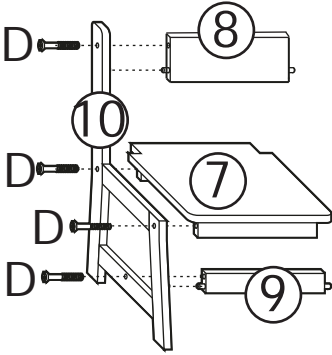
B x 8



C x 16

Assembly

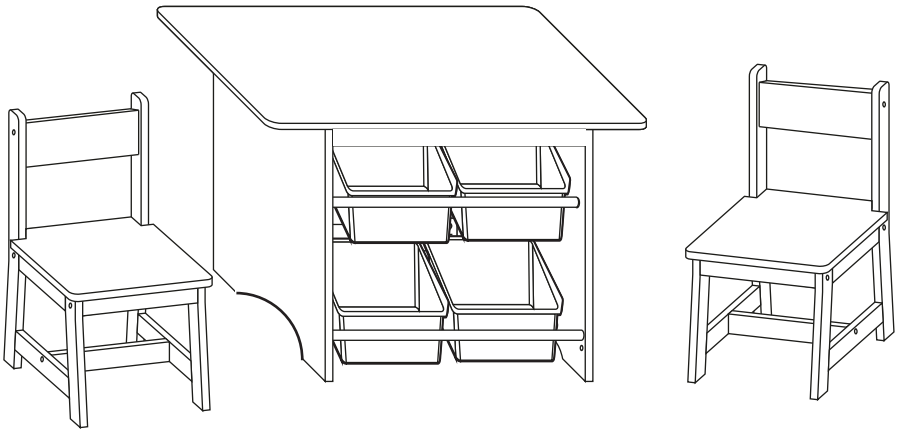
Step 7



X2



Step 8





LIVING & CO[®]

Warranty

We pride ourselves on producing a range of quality products that are both packed with features and completely reliable. We are so confident in our products, we back them up with a one year warranty.

Now you too can relax knowing that you are covered.

Customer Helpline NZ: 0800 422 274
This product is covered by one year warranty
when accompanied by proof of purchase.