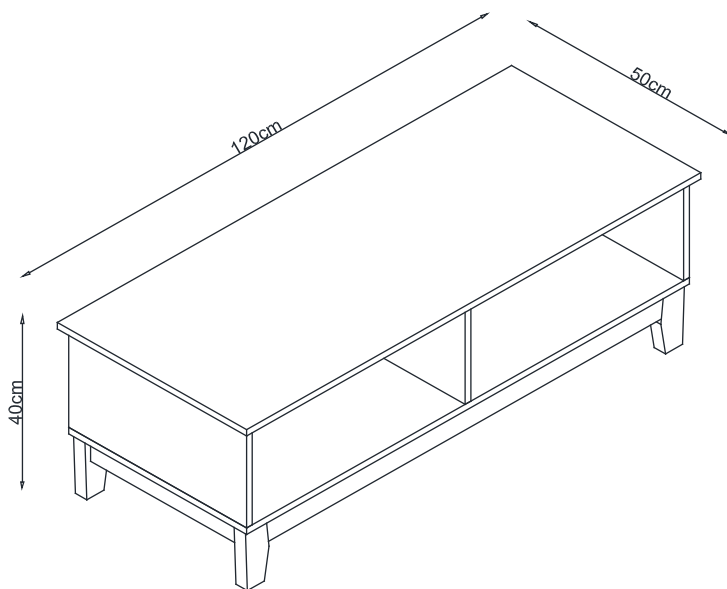


LIVING & CO[®]

NEWPORT COFFEE TABLE



INSTRUCTION MANUAL

Maximum weight 5kgs per shelf, 50kgs for top

Assembly Details

60 Min

Approximate Assembly Time



2 Person Assembly

FLOOR AREA

2MX2M



Required Assembly Space



tools are required

Part Name

- 1 Please check that all parts are present before you start the assembly of your furniture.
- 2 For ease and speed of assembly, we recommend that before you commence each step of the assembly, that you identify all the parts required for that step.
- 3 For larger items, please ensure that you have sufficient space and people (as indicated on page 1) to assemble your product safely.
- 4 We recommend that, where possible, all items are assembled near to the area in which.
- 5 They will be placed in use, to avoid moving the product unnecessarily once assembled.
- 6 For the protection of your furniture, we recommend that the product is placed on a protected surface during assembly to prevent any damage.
- 7 During assembly please take care not to over-tighten anythings, as this may damage the product. Do not use power tools.
- 8 Always place the product on a steady and stable surface.
- 9 Do not stand on the product. Do not use the product as a stepladder.
- 10 This product is intended for indoor, household use only as it is a non-industrial product.
- 11 Please use caution and care when lifting the product to avoid personal

Care and maintenance

- Please periodically check all things and re-tighten as necessary.
- To clean your item, please use a damp cloth and wipe clean.
- Never allow any kind of liquid to remain on your furniture. Absorption can cause wood to warp or finishes to de-laminate.
- Please do not place hot items (eg. hot drinks) directly on to the surface.
- Please do not drag and pull your furniture.

Part Name



6*35mm
A x 8



15*12mm
B x 8



8*30mm
C x 16



5*45mm
D x 6



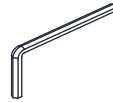
E x 8



F x 8



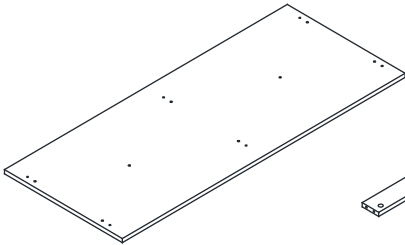
G x 8



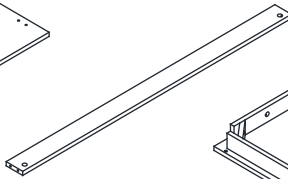
H x 1



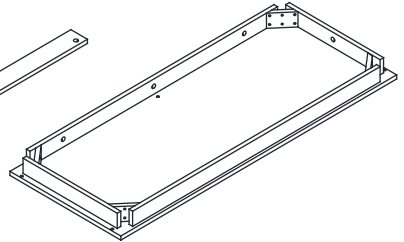
I x 4



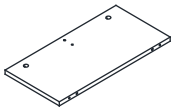
① x 1pc



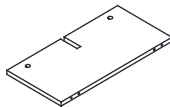
② x 1pc



③ x 1pc



④ x 2pcs



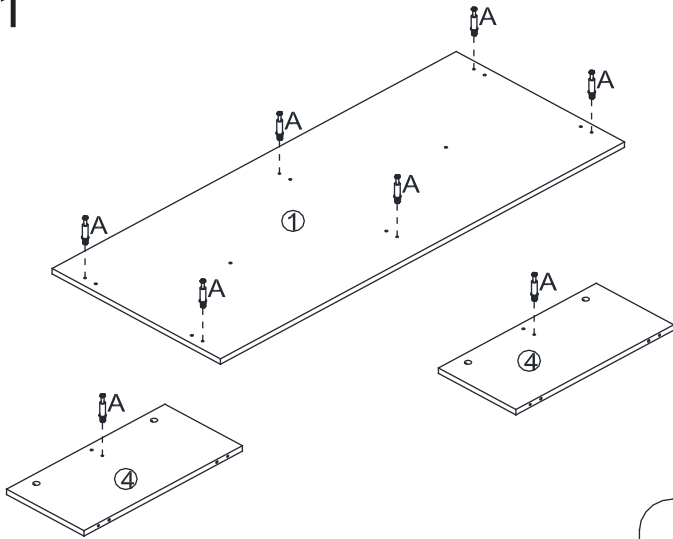
⑤ x 1pc



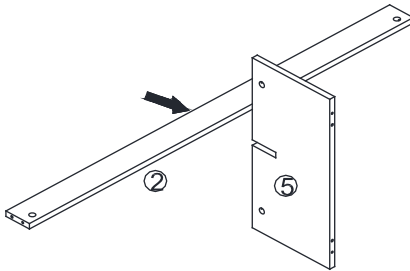
⑥ x 2pcs



⑦ x 2pcs

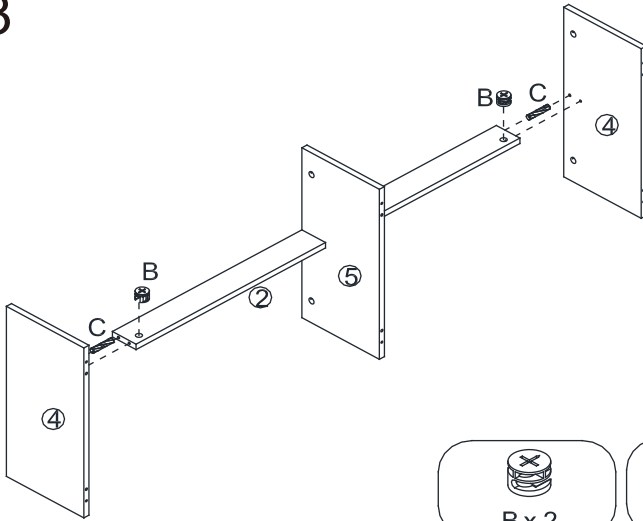
Part Name**Step 1**

Ax 8

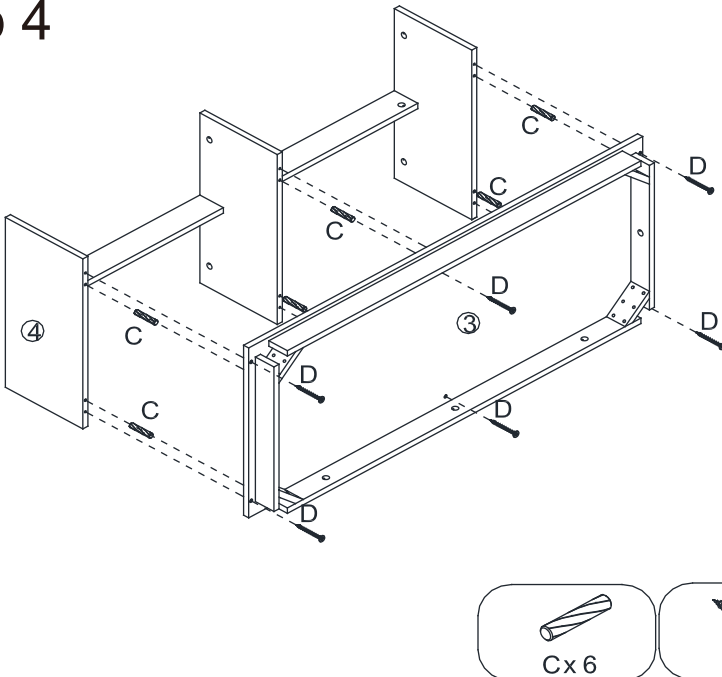
Step 2

Assembly

Step 3

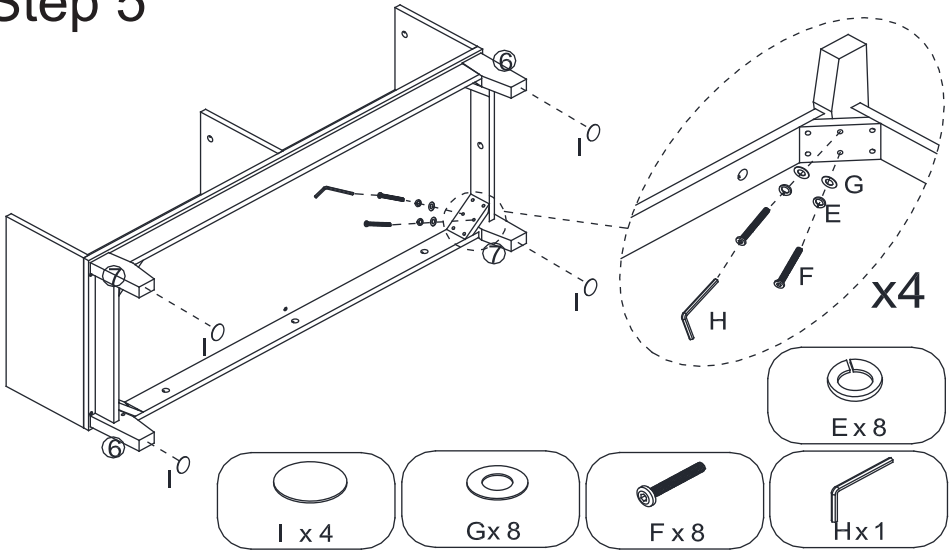


Step 4

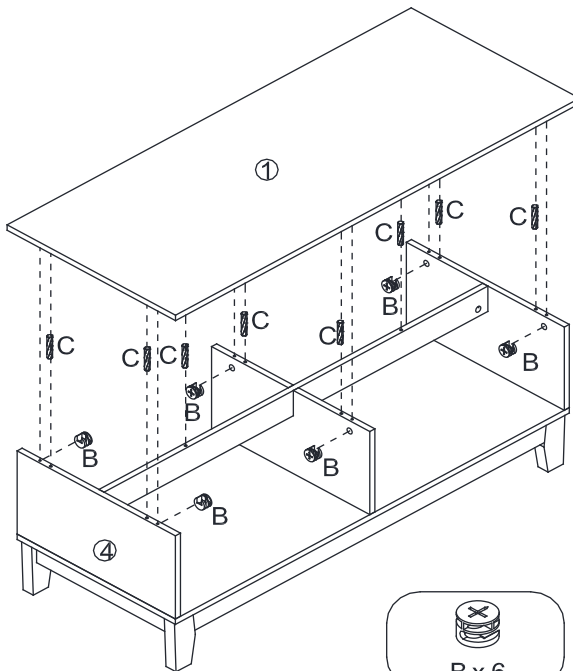


Assembly

Step 5



Step 6





LIVING & CO[®]

Warranty

We pride ourselves on producing a range of quality products that are both packed with features and completely reliable. We are so confident in our products, we back them up with a one year warranty.

Now you too can relax knowing that you are covered.

Customer Helpline NZ: 0800 422 274
This product is covered by one year warranty
when accompanied by proof of purchase.