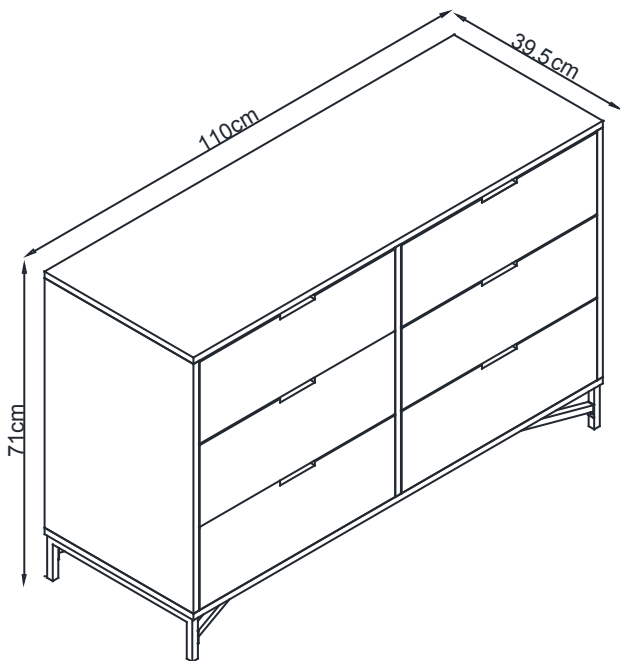


LIVING & CO[®]

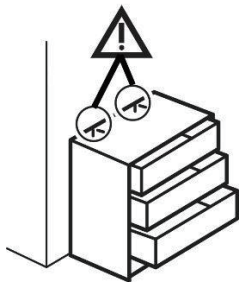
AUSTIN 6 DRAWER LOWBOY



INSTRUCTION MANUAL

Maximum weight 5kgs per drawer, 25kgs for top

Important Safety Instructions



Serious or fatal crushing injuries can occur from furniture tip-over. Use of tip-over restraints may only reduce but not eliminate the risk of tip-over. To help prevent tip-over:

- Place heaviest items in the bottom drawers.
- Unless specifically designed to accommodate, do not set TVs or other heavy objects on top of this product.
- Never allow children to climb or hang on drawers, doors or shelves.

Assembly Details

60 Min

Approximate Assembly Time



2 Person Assembly

FLOOR AREA

2MX2M



Required Assembly Space



tools are required

Part Name

- 1 Please check that all parts are present before you start the assembly of your furniture.
- 2 For ease and speed of assembly, we recommend that before you commence each step of the assembly, that you identify all the parts required for that step.
- 3 For larger items, please ensure that you have sufficient space and people (as indicated on page 1) to assemble your product safely.
- 4 We recommend that, where possible, all items are assembled near to the area in which.
- 5 They will be placed in use, to avoid moving the product unnecessarily once assembled.
- 6 For the protection of your furniture, we recommend that the product is placed on a protected surface during assembly to prevent any damage.
- 7 During assembly please take care not to over-tighten anythings, as this may damage the product. Do not use power tools.
- 8 Always place the product on a steady and stable surface.
- 9 Do not stand on the product. Do not use the product as a stepladder.
- 10 This product is intended for indoor, household use only as it is a non-industrial product.
- 11 Please use caution and care when lifting the product to avoid personal injury and/or product damage.

Care and maintenance

- Please periodically check all things and re-tighten as necessary.
- To clean your item, please use a damp cloth and wipe clean.
- Never allow any kind of liquid to remain on your furniture. Absorption can cause wood to warp or finishes to de-laminate.
- Please do not place hot items (eg. hot drinks) directly on to the surface.
- Please do not drag and pull your furniture.

Part Name



6*35mm
A x 36



15*12mm
B x 6



6*30mm
C x 12



4*30mm
D x 32



15*9.5mm
E x 30



F x 6



G x 6



H x 6



I x 6



3.5*12mm
J x 72



6*8mm
K x 4



4*25mm
L x 6



M x 1



5*45mm
N x 6



4*30mm
O x 2



P x 1



4*14mm
Q x 6



R x 2



S x 2



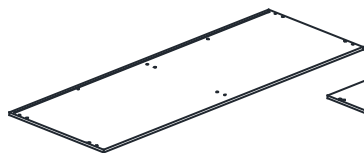
T x 1



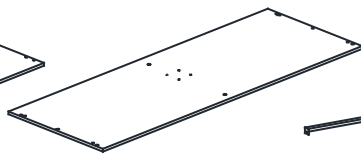
U x 16



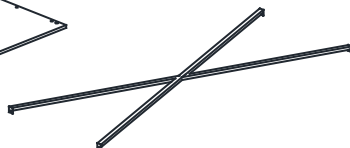
3*14mm
V x 16



① x 1PC



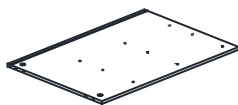
② x 1PC



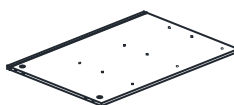
③ x 1PC



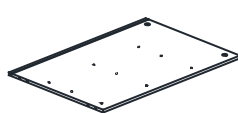
④ x 2PCS



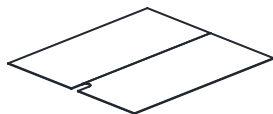
⑤ x 1PC



⑥ x 1PC



⑦ x 1PC



⑧ x 2PCS



⑨ x 1PC



⑩ x 6PCS



⑪ x 6PCS



⑫ x 6PCS



⑬ x 6PCS



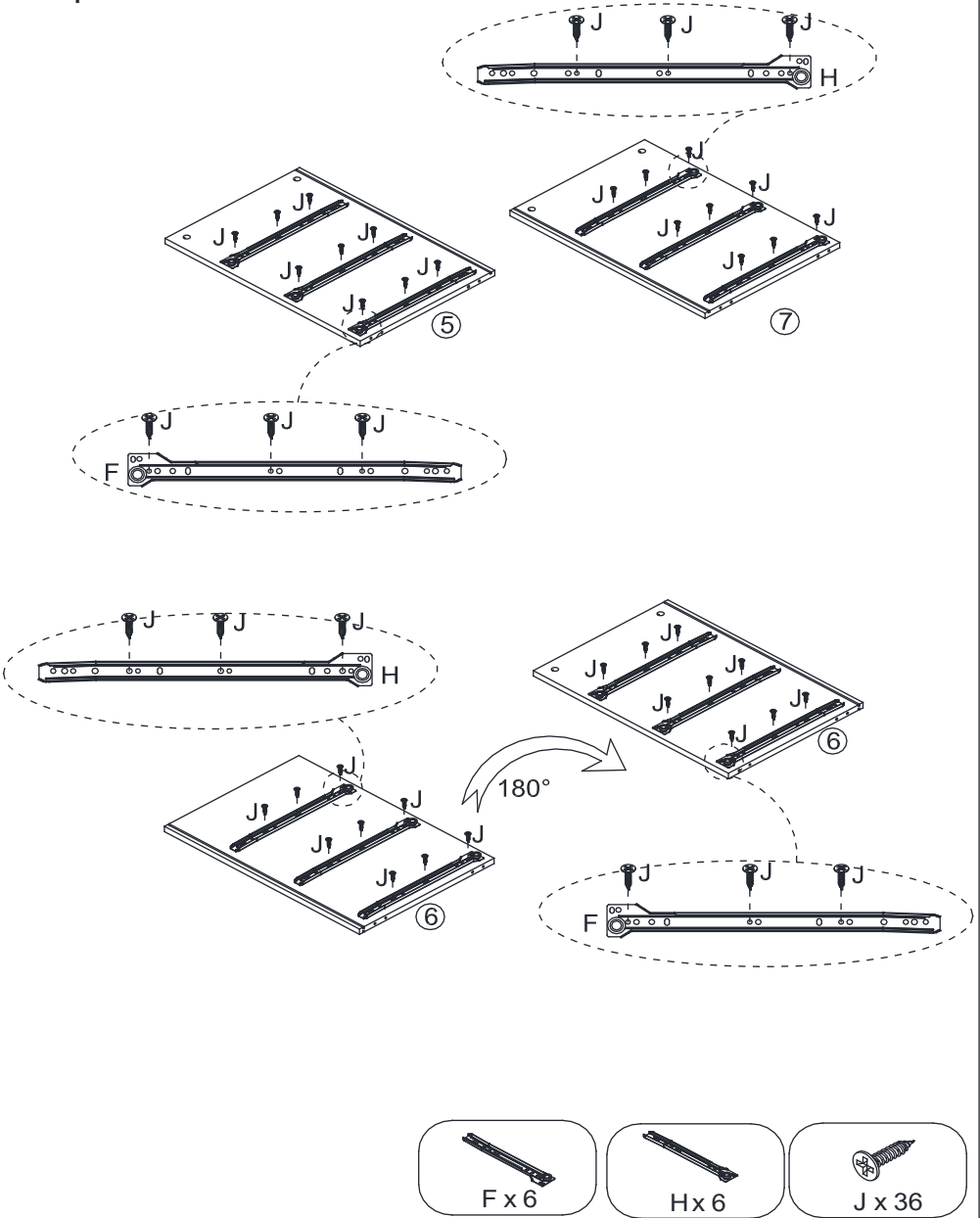
⑭ x 6PCS



⑮ x 6PCS

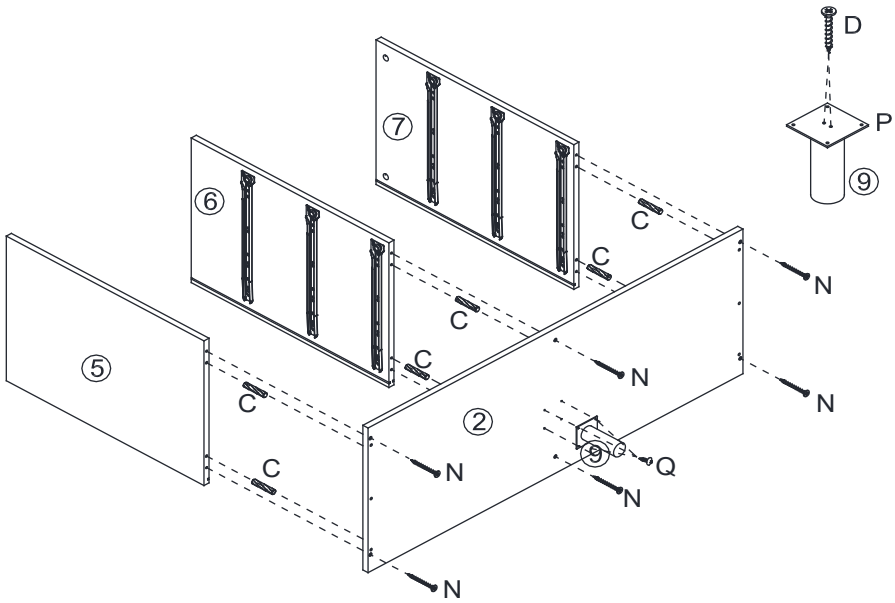
Assembly

Step 1



Assembly

Step 2



Cx 6



Nx 6



Dx 2

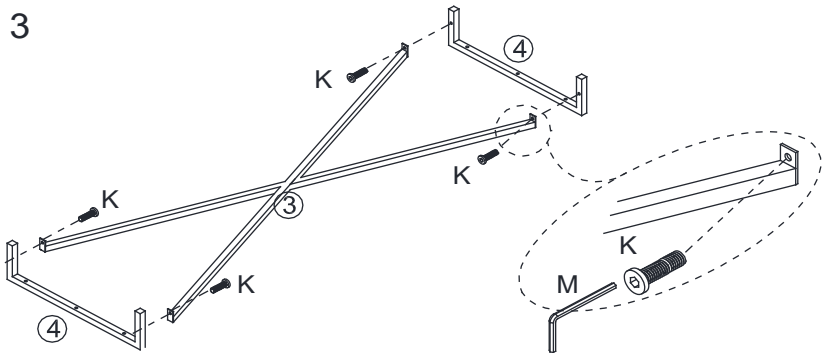


Qx 4



Px 1

Step 3



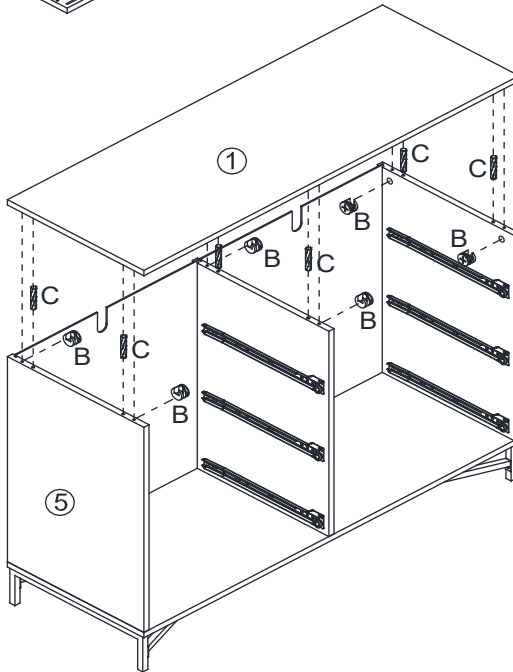
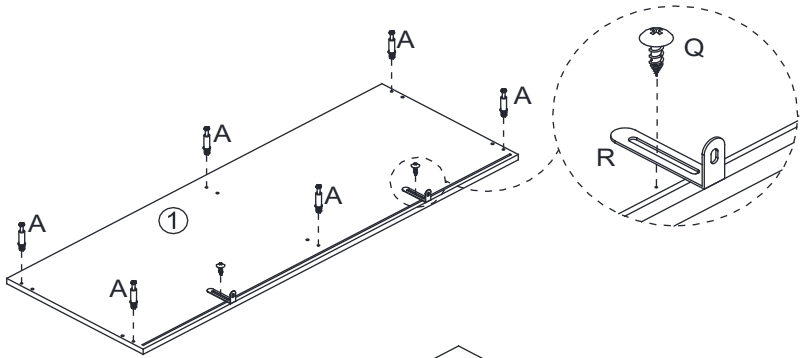
Mx 1



Kx 4

Assembly

Step 6



Ax 6



Qx 2



Rx 2



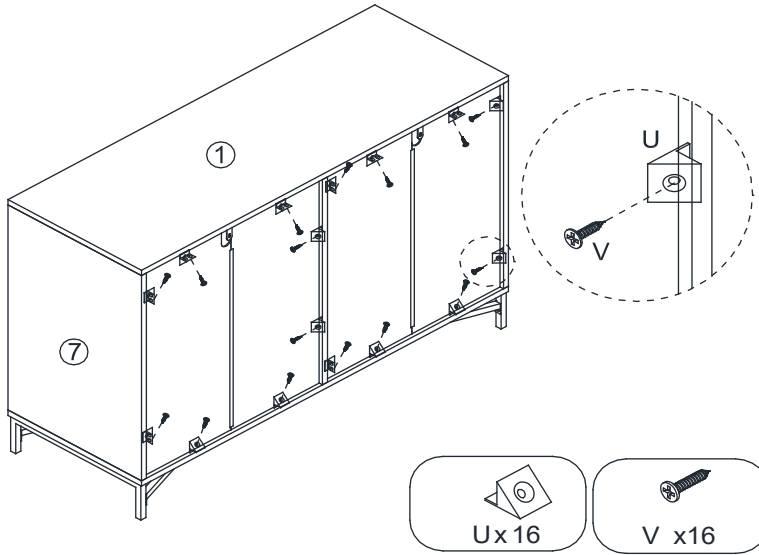
Bx 6



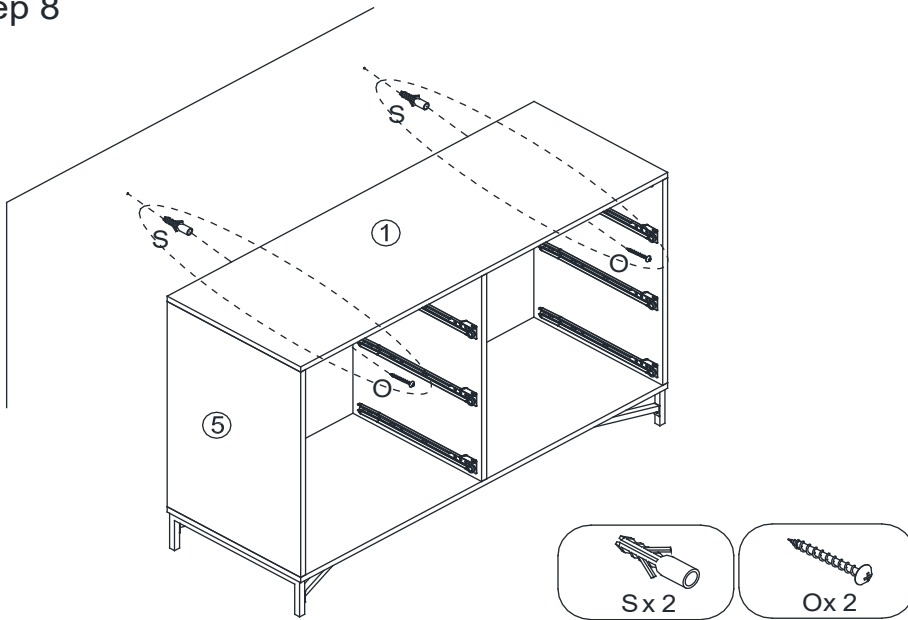
Cx 6

Assembly

Step 7



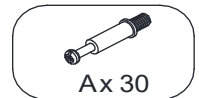
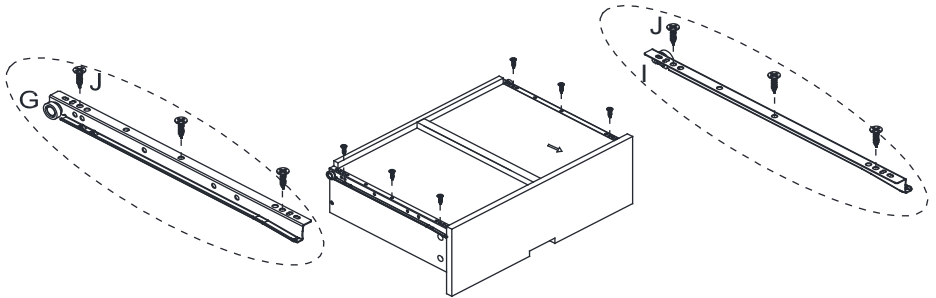
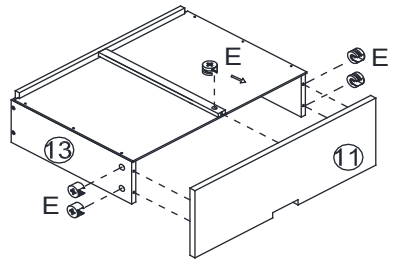
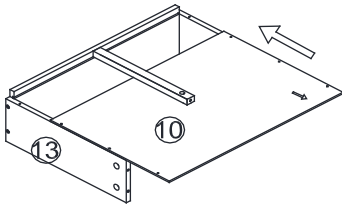
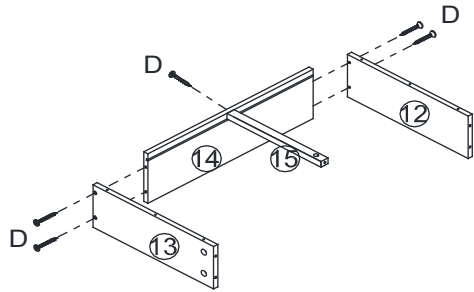
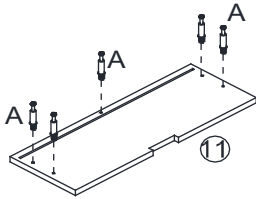
Step 8



Assembly

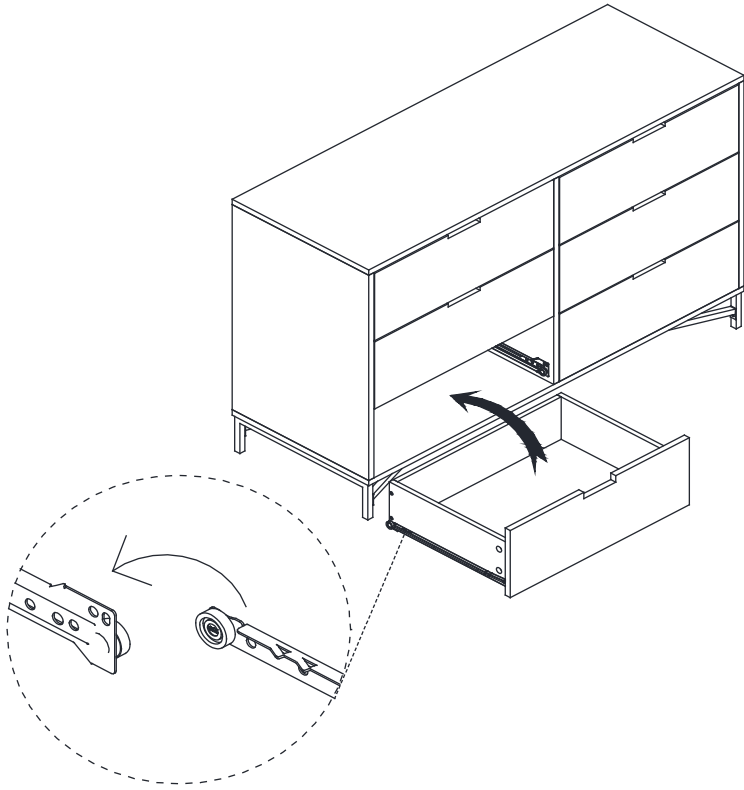
Step 9

X 6



Assembly

Step 10





LIVING & CO[®]

Warranty

We pride ourselves on producing a range of quality products that are both packed with features and completely reliable. We are so confident in our products, we back them up with a one year warranty. Now you too can relax knowing that you are covered.

Customer Helpline NZ: 0800 422 274
This product is covered by one year warranty
when accompanied by proof of purchase.

AFTER SALES SUPPORT

  **0800 422 274**