

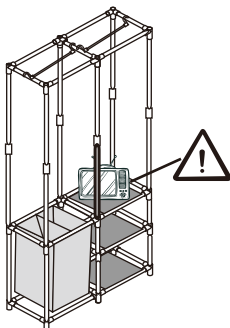
LIVING & CO[®]

Garment Rack with Hamper



INSTRUCTION MANUAL
Loading Maximum weight 5kg per shelf

Important Safety Instructions



Serious or fatal crushing injuries can occur from furniture tip-over. Use of tip-over restraints may only reduce but not eliminate the risk of tip-over. To help prevent tip-over:

- Place heaviest items in the bottom drawers.
- Unless specifically designed to accommodate, do not set TVs or other heavy objects on top of this product.
- Never allow children to climb or hang on drawers, doors or shelves.

Assembly Details

30 Min

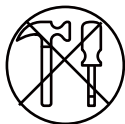
Approximate Assembly Time



1 Person Assembly

4M³

Required Assembly Space



No Tools Required







Part Name








- 1 Please check that all parts are present before you start the assembly of your furniture.
- 2 For ease and speed of assembly, we recommend that before you commence each step of the assembly, that you identify all the parts required for that step.
- 3 For larger items, please ensure that you have sufficient space and people (as indicated on page 1) to assemble your product safely.
- 4 We recommend that, where possible, all items are assembled near to the area in which.
- 5 They will be placed in use, to avoid moving the product unnecessarily once assembled.
- 6 For the protection of your furniture, we recommend that the product is placed on a protected surface during assembly to prevent any damage.
- 7 During assembly please take care not to over-tighten anythings, as this may damage the product. Do not use power tools.
- 8 Always place the product on a steady and stable surface.
- 9 Do not stand on the product. Do not use the product as a stepladder.
- 10 This product is intended for indoor, household use only as it is a non-industrial product.
- 11 Please use caution and care when lifting the product to avoid personal injury and/or product damage.

Care and maintenance

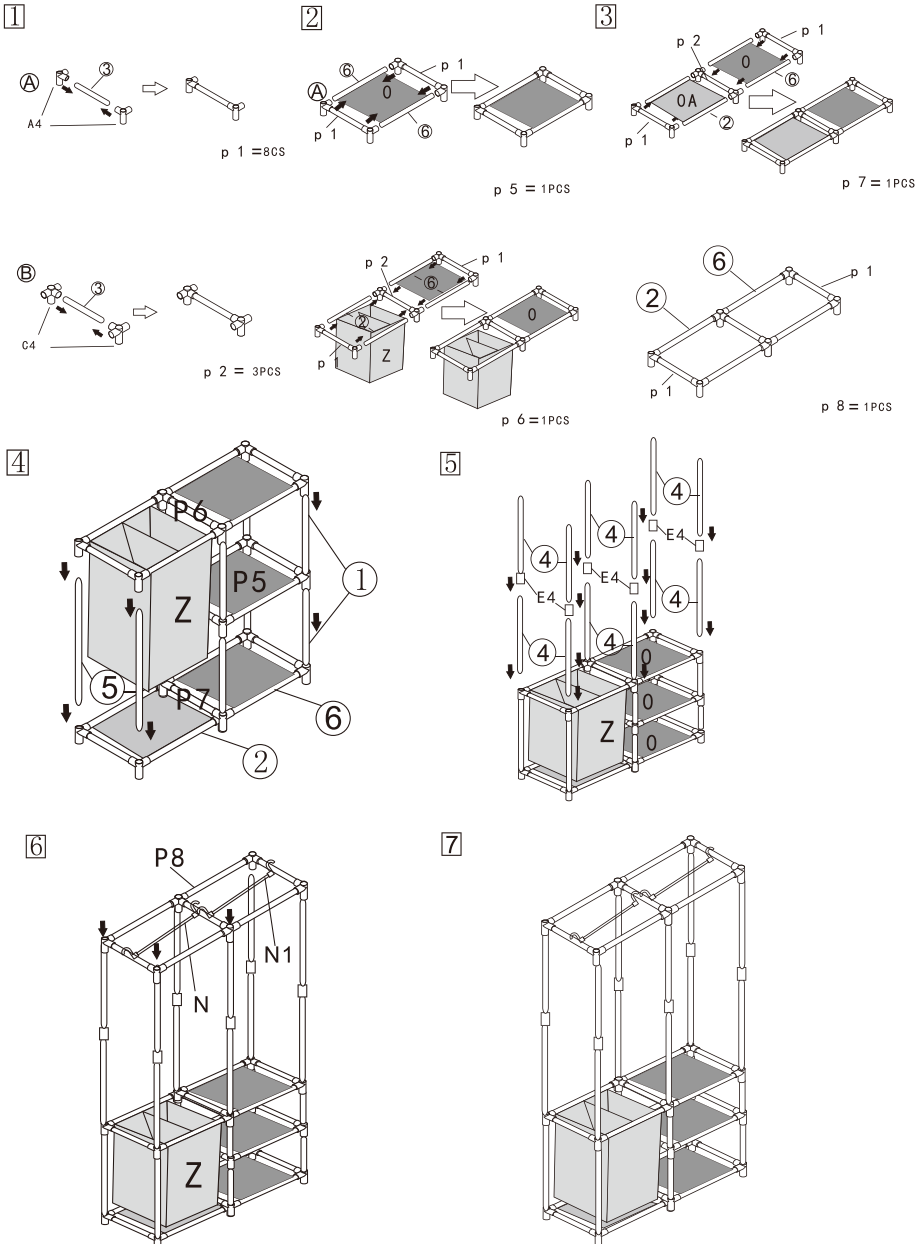
- ✓ Please periodically check all things and re-tighten as necessary.
- ✓ To clean your item, please use a damp cloth and wipe clean.
- ✓ Never allow any kind of liquid to remain on your furniture. Absorption can cause wood to warp or nishes to de-laminate.
- ✓ Please do not place hot items (eg. hot drinks) directly on to the surface.
- ✓ Please do not drag and pull your furniture.

Part Name

- (A)  X8
300MM
- (B)  X12
570MM
- (C)  X2
600MM
- (1)  X11
450MM
- (2)  X6
390MM
- (3)  X8
690MM

- N1  X1
- N  X1
- P1  X16
- P2  X6
- P3  X6
- S1  X3
- S2  X1

Assembly





LIVING & CO[®]

Warranty

We pride ourselves on producing a range of quality products that are both packed with features and completely reliable. We are so confident in our products, we back them up with a one-year warranty.

Now you too can relax knowing that you are covered.

Customer Helpline NZ: 0800 422 274
This product is covered by 1 year warranty
when accompanied by proof of purchase.