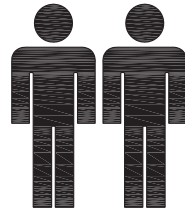


LIVING & CO MINI BOOKCASE 3 TIER WHT

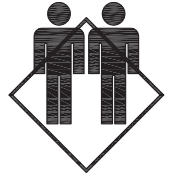
30 MIN

APPROXIMATE ASSEMBLY TIME

2 PERSON ASSEMBLY

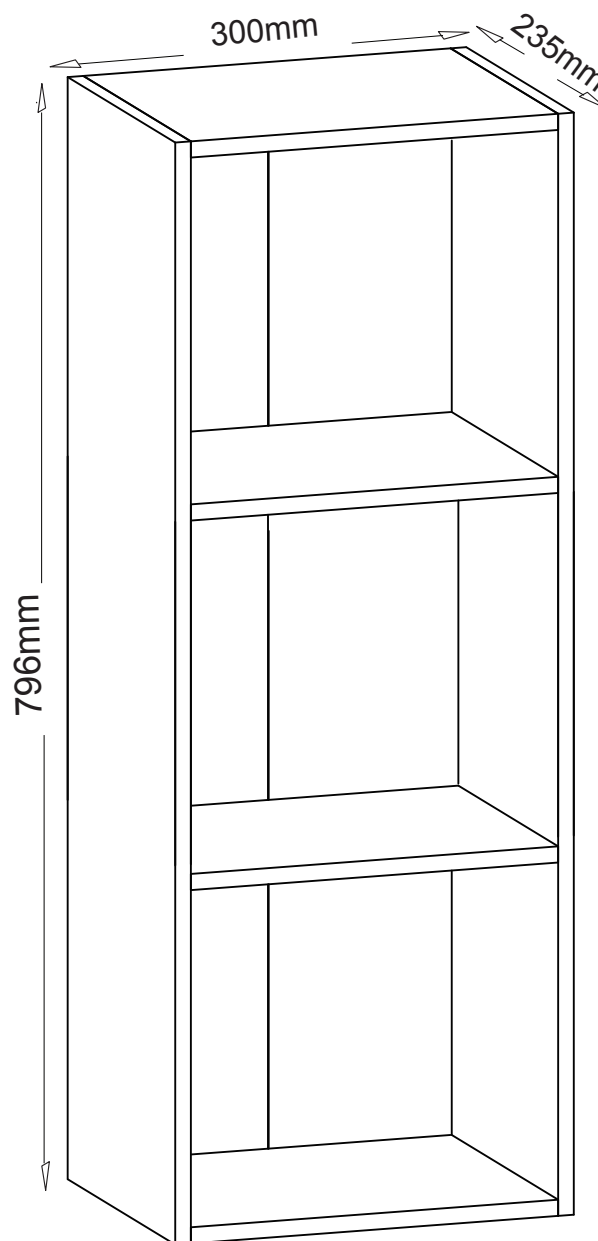


FLOOR AREA
2.0M x 2.0M



REQUIRED ASSEMBLY SPACE

ASSEMBLED DIMENSIONS



LIVING & CO MINI BOOKCASE 3 TIER WHT

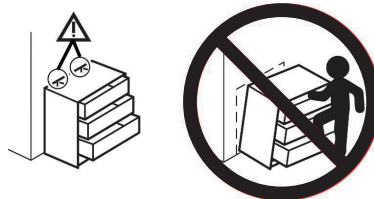
Tips before you start:

1. Please check that all parts are present before you start the assembly of your furniture.
2. For ease and speed of assembly, we recommend that before you commence each step of the assembly, that you identify all the parts required for that step.
3. For larger items, please ensure that you have sufficient space and people (as indicated on page1) to assemble your product safely.
4. We recommend that, where possible, all items are assembled near to the area in which they will be placed in use, to avoid moving the product unnecessarily once assembled.
5. For the protection of your furniture, we recommend that the product is placed on a protected surface during assembly to prevent any damage.
6. During assembly please take care not to over-tighten any fittings, as this may damage the product.
7. Always place the product on a flat, steady and stable surface.
8. Do not stand on the product. Do not use the product as a stepladder.
9. This product is intended for indoor, household use only as it is non industrial product.

Care and Maintenance of your Furniture

- Please periodically check all fittings and re-tighten as necessary.
- To clean your item, please use a damp cloth and wipe clean.
- Never allow any kind of liquid to remain on your furniture. Absorption can cause wood to warp or finishes to de-laminate.
- Please do not place hot items (eg. Hot drinks) directly on to the surface.
- Please do not drag and pull your furniture.

WARNING

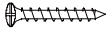



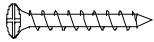






Serious or fatal crushing injuries can occur from furniture tip-over. Use of tip-over restraints may only reduce but not eliminate the risk of tip-over. To help prevent tip-over:

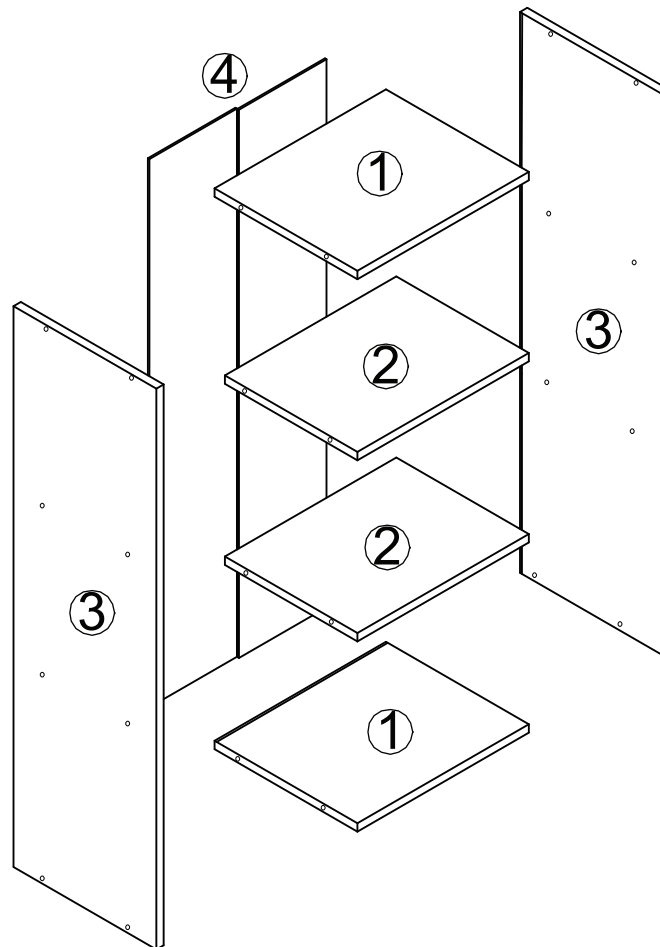
- Place heaviest items in the bottom drawers.
- Unless specifically designed to accommodate, do not set TVs or other heavy objects on top of this product.
- Never allow children to climb or hang on drawers, doors or shelves.
- Never open more than one drawer at a time.

LIVING & CO MINI BOOKCASE 3 TIER WHT

HARDWARE LIST

<p>AX17</p>  <p>M4x30mm</p>	<p>BX17</p> 	<p>CX1</p> 	<p>DX1</p> 	<p>EX1</p>  <p>M4x35mm</p>
<p>FX1</p> 	<p>GX1</p>  <p>M3.5x12mm</p>	<p>Tools required</p>   <p>Phillips screwdriver Hammer</p>		

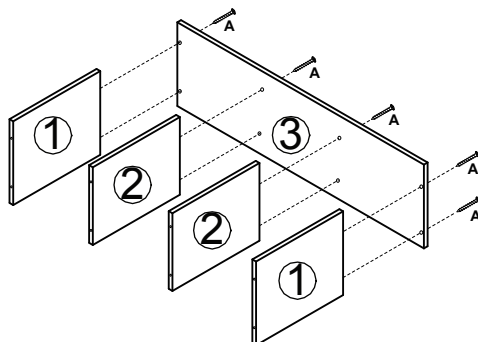
PARTS LIST



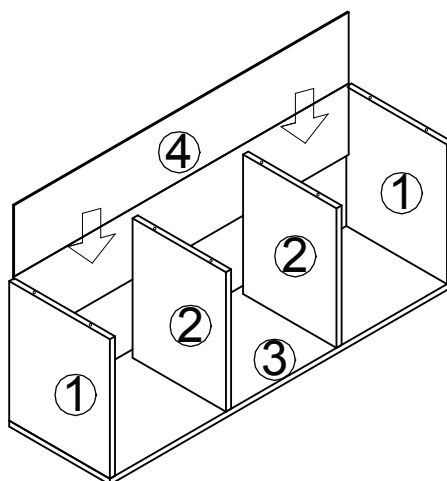
TOOLS NECESSARY

LIVING & CO MINI BOOKCASE 3 TIER WHT

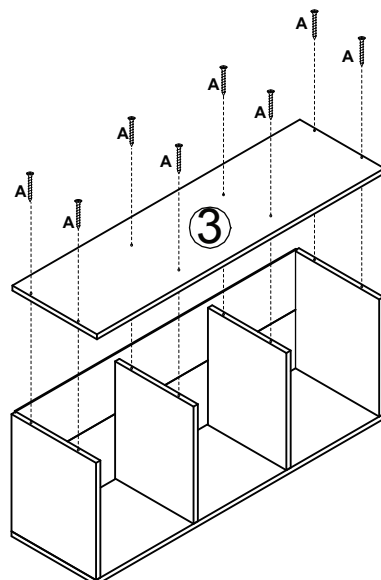
STEP 1



STEP 2

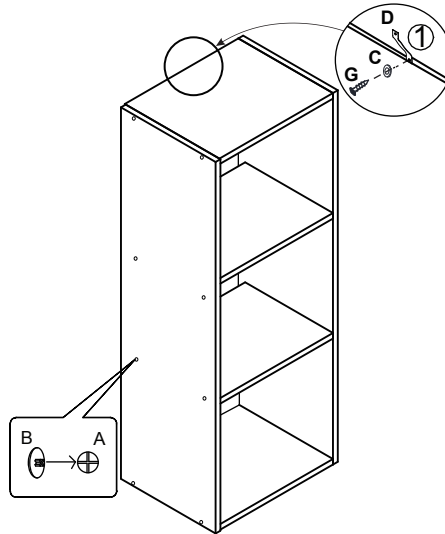


STEP 3



LIVING & CO MINI BOOKCASE 3 TIER WHT

STEP 4



STEP 5

BE HOME SAFE

Fixtures for anti-tipping have been supplied with your product
To prevent injury or household damage
Always fix drawers, shelving, free standing cupboards, and other upright furniture to the wall

More information:
www.eqc.govt.nz/fixfasten

