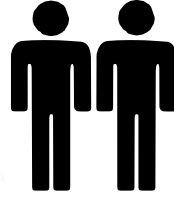


# LIVING&CO EXTENDABLE DINING TABLE

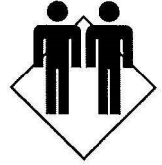
**30 MIN**

APPROXIMATE ASSEMBLY TIME

2 PERSONS ASSEMBLY

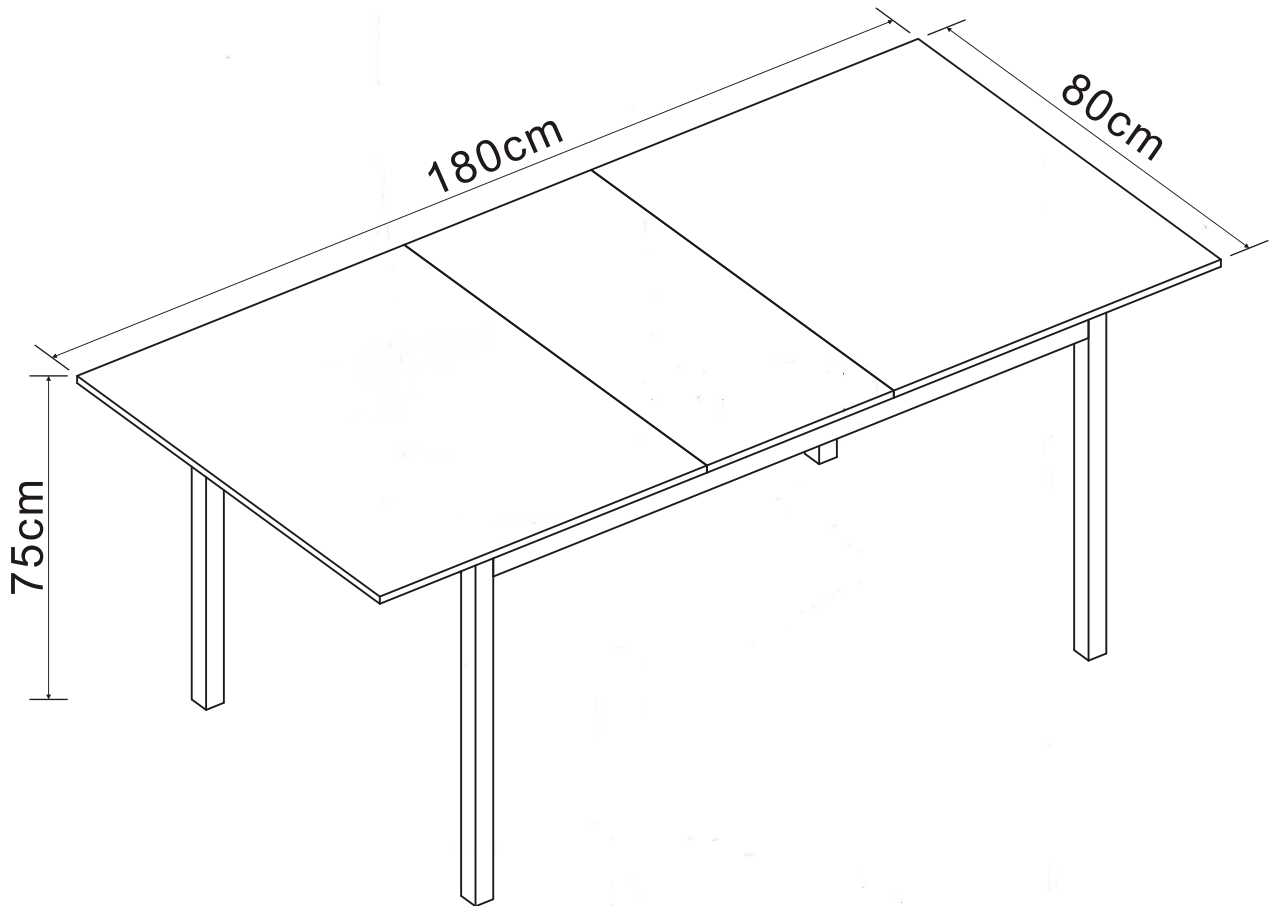


FLOORAREA  
2.0Mx 2.0M



REQUIRED ASSEMBLY SPACE

## ASSEMBLED DIMENSIONS



MAX WEIGHT ACROSS WHOLE TABLE: 50KG

# LIVING&CO EXTENDABLE DINING TABLE

## **Tips before you start:**

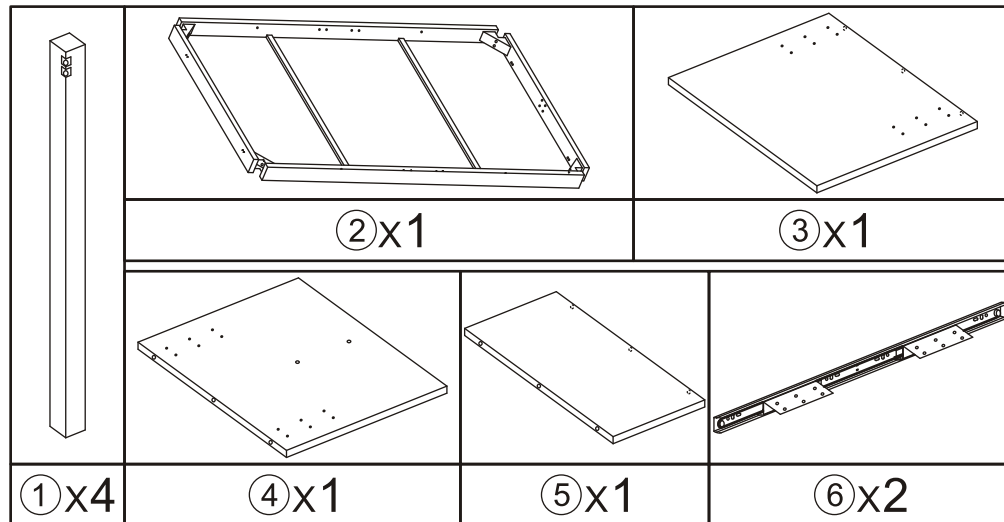
1. Please check that all parts are present before you start the assembly of your furniture.
2. For ease and speed of assembly, we recommend that before you commence each step of the assembly, that you identify all the parts required for that step.
3. For larger items, please ensure that you have sufficient space and people (as indicated on page 1) to assemble your product safely.
4. We recommend that, where possible, all items are assembled near to the area in which they will be placed in use, to avoid moving the product unnecessarily once assembled.
5. For the protection of your furniture, we recommend that the product is placed on a protected surface during assembly to prevent any damage.
6. During assembly please take care not to over-tighten any fittings, as this may damage the product.
7. Always place the product on a flat, steady and stable surface.
8. Do not stand on the product. Do not use the product as a stepladder.
9. This product is intended for indoor, household use only as it is non industrial product.
10. Please put the accessories into installation holes before you screw up any of them.

## **Care and Maintenance of your Furniture**



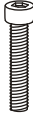






- ☒ Please periodically check all fittings and re-tighten as necessary.
- ☒ To clean your item, please use a damp cloth and wipe clean.
- ☒ Never allow any kind of liquid to remain on your furniture. Absorption can cause wood to warp or finishes to de-laminate.
- ☒ Please do not place hot items (eg. Hot drinks) directly on to the surface.
- ☒ Please do not drag and pull your furniture.

# LIVING&CO EXTENDABLE DINING TABLE

## HARDWARE LIST

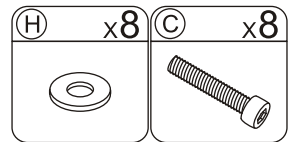
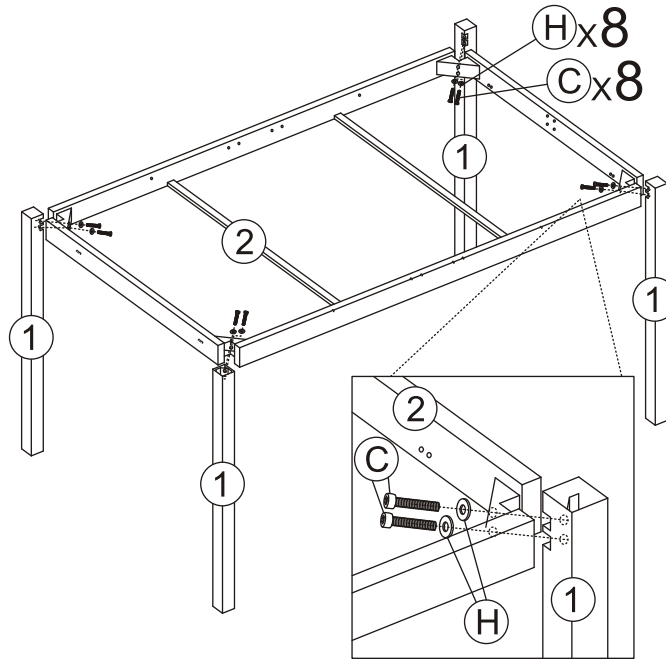


## PARTS LIST

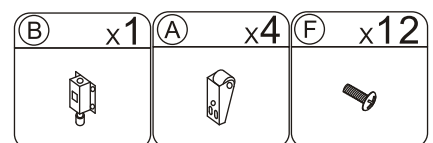
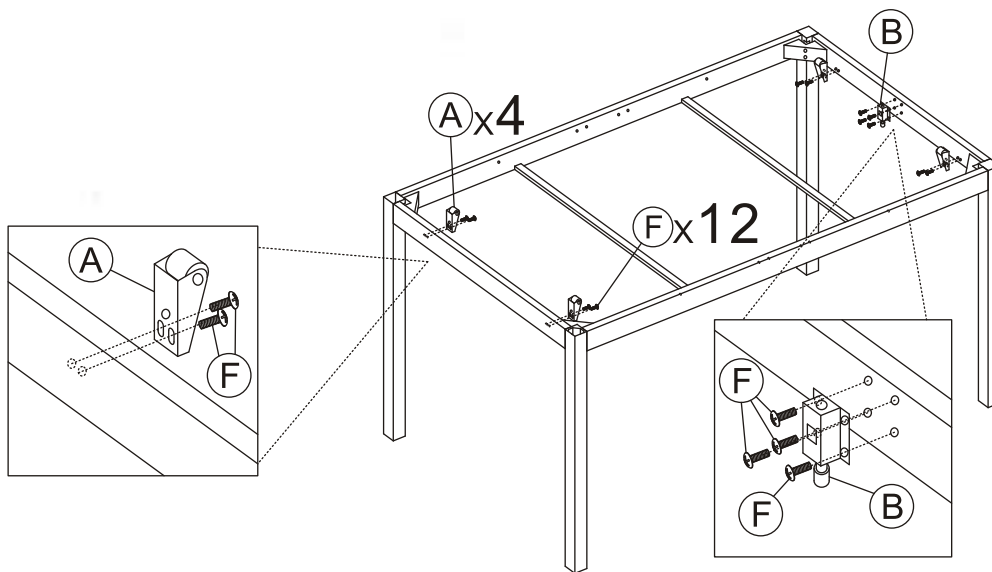
								
Ax4	Bx1	M8x45	M5x10	M4x14	M4x10	Gx6	Ø17	Ix1

# LIVING&CO EXTENDABLE DINING TABLE

## STEP 1

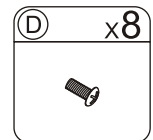
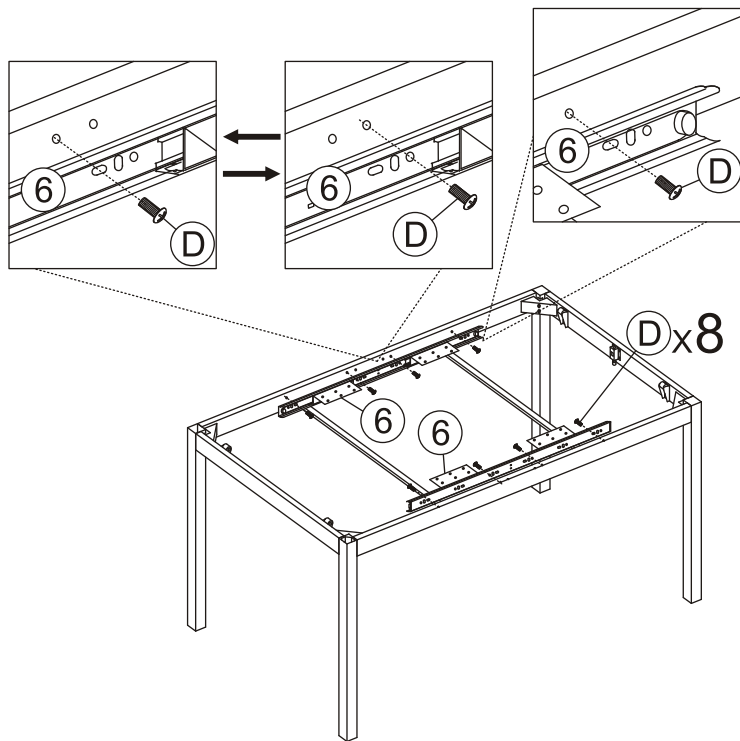


## STEP 2

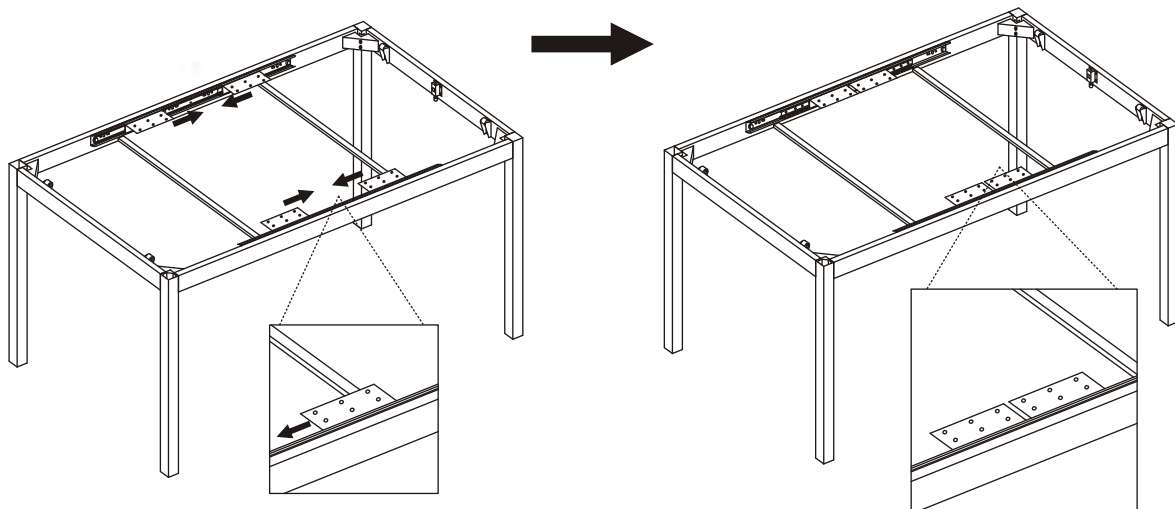


# LIVING&CO EXTENDABLE DINING TABLE

## STEP 3

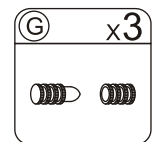
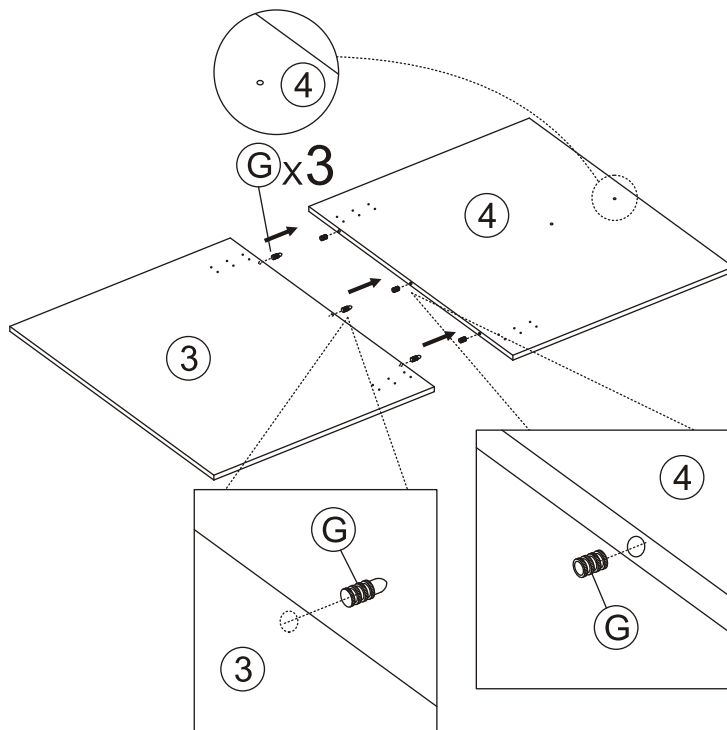


## STEP 4

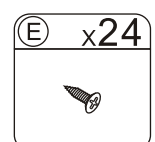
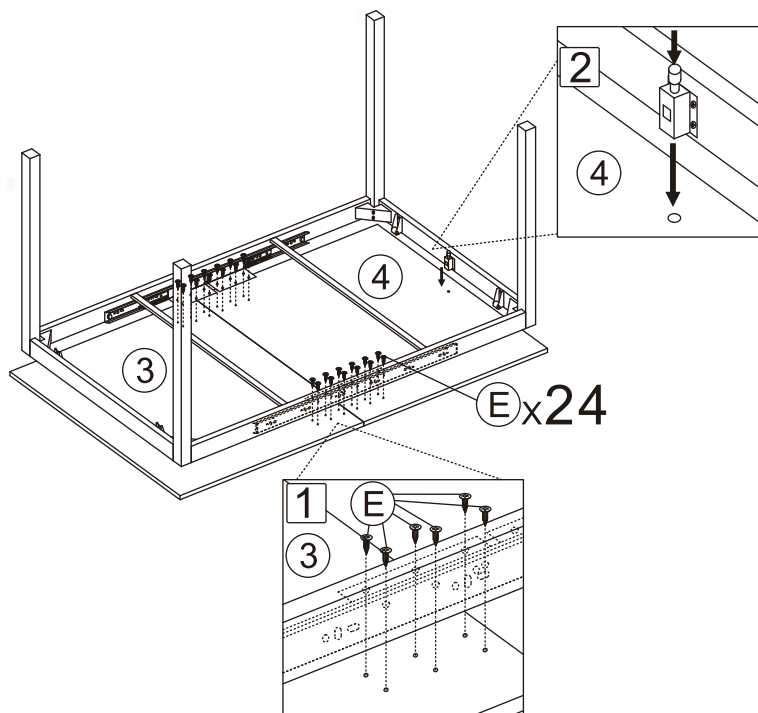


# LIVING&CO EXTENDABLE DINING TABLE

## STEP 5

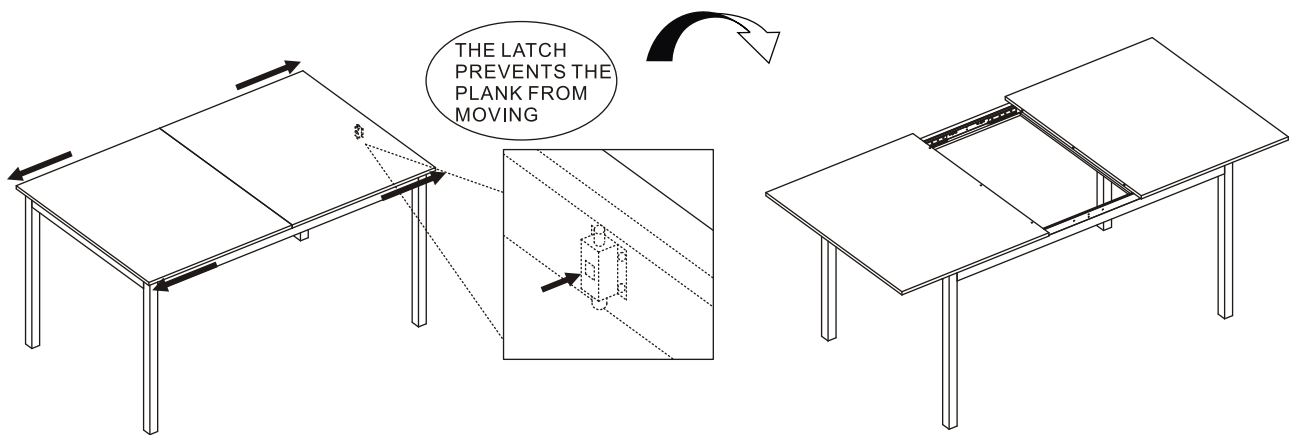


## STEP 6

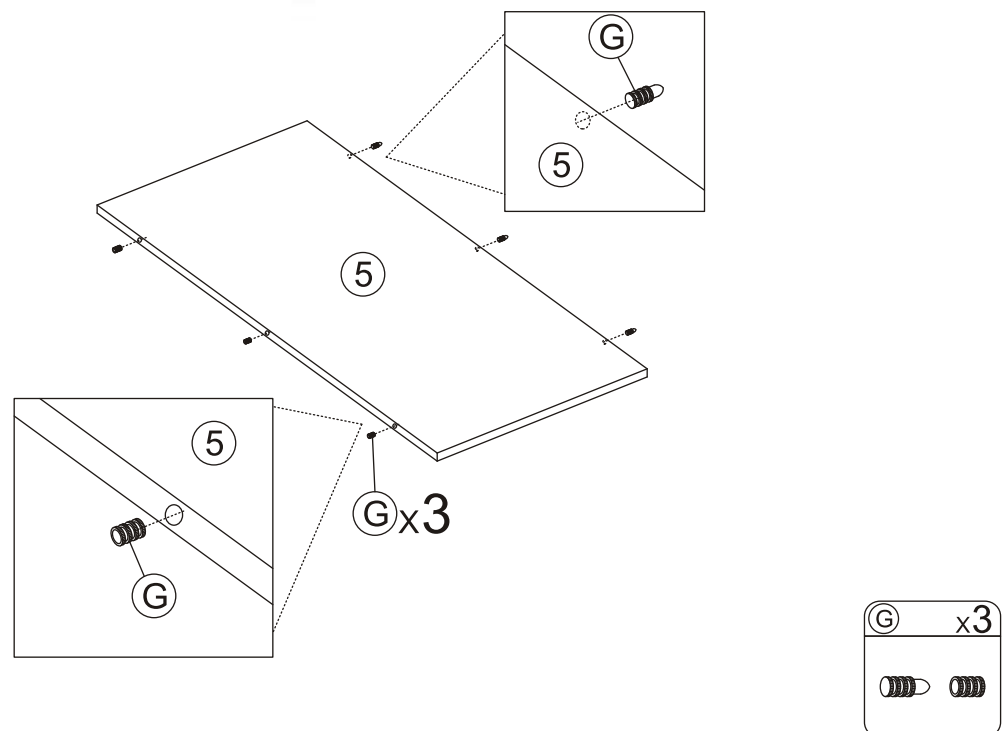


# LIVING&CO EXTENDABLE DINING TABLE

## STEP 7

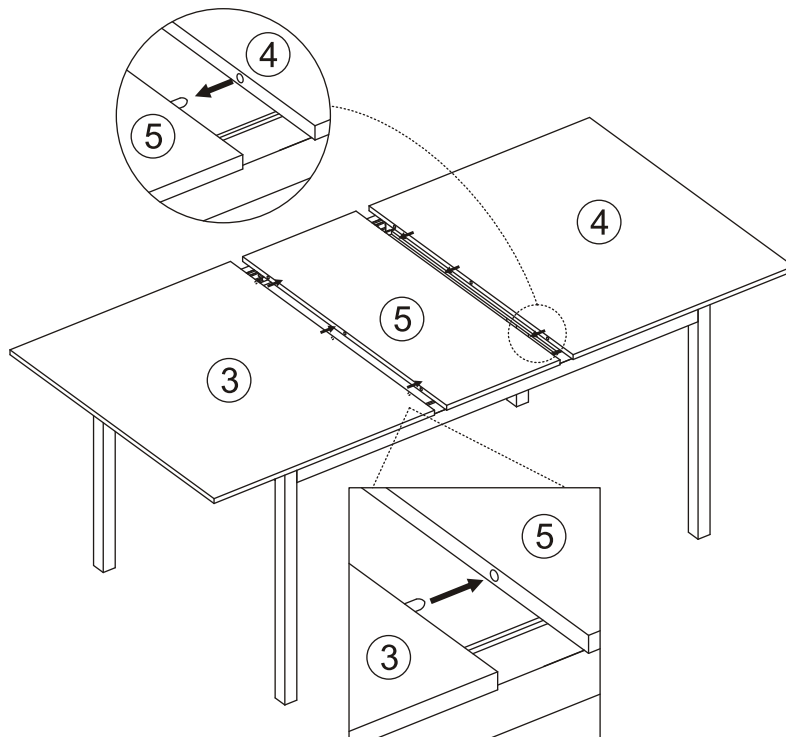


## STEP 8



# LIVING&CO EXTENDABLE DINING TABLE

## STEP 9



## STEP 10

