

Austin Coffee Table

2hr

APPROXIMATE ASSEMBLY TIME

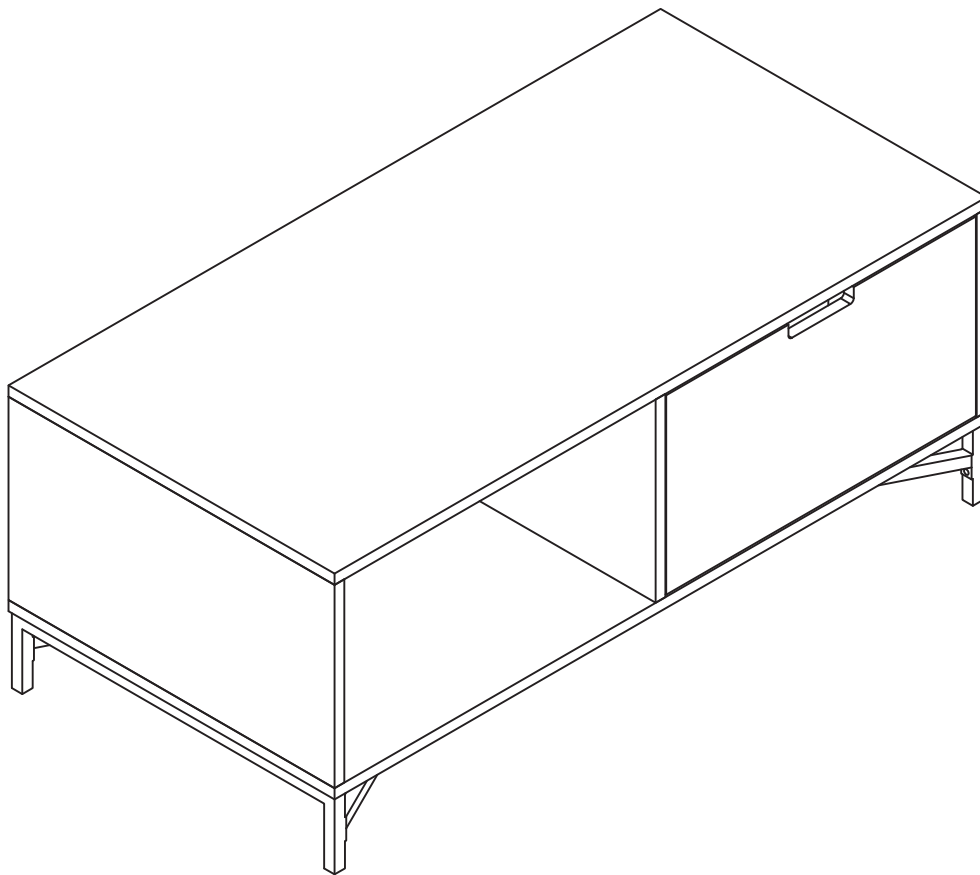
1 PERSON ASSEMBLY



FLOOR AREA
2M x 2M



REQUIRED ASSEMBLY SPACE



Austin Coffee Table

Tips before you start:

1. Please check that all parts are present before you start the assembly of your furniture.
2. For ease and speed of assembly, we recommend that before you commence each step of the assembly, that you identify all the parts required for that step.
3. For larger items, please ensure that you have sufficient space and people (as indicated on page 1) to assemble your product safely.
4. We recommend that, where possible, all items are assembled near to the area in which they will be placed in use, to avoid moving the product unnecessarily once assembled.
5. For the protection of your furniture, we recommend that the product is placed on a protected surface during assembly to prevent any damage.
6. During assembly please take care not to over-tighten any fittings, as this may damage the product.
7. Always place the product on a flat, steady and stable surface.
8. Do not stand on the product. Do not use the product as a stepladder.
9. This product is intended for indoor, household use only as it is a non-industrial product.
10. Please use caution and care when lifting the product to avoid personal injury and/or product damage.

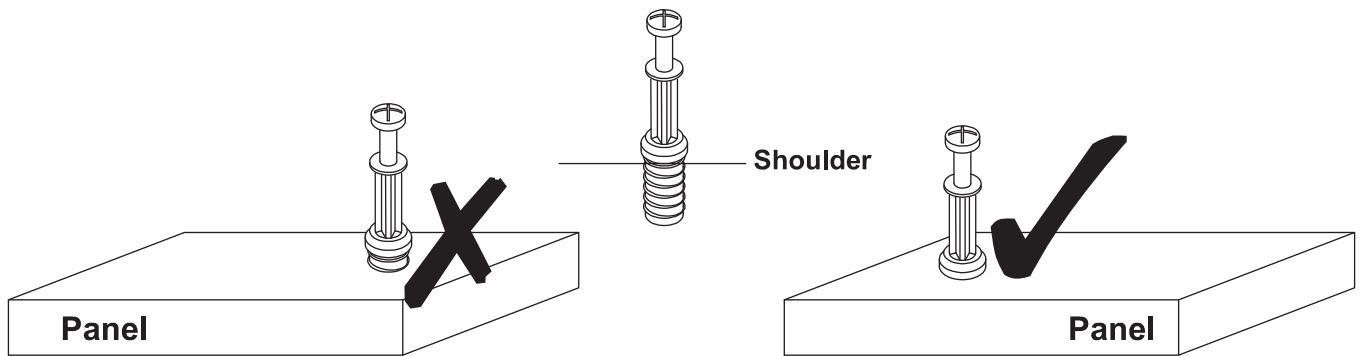
Care and Maintenance of your Furniture

- Please periodically check all fittings and re-tighten as necessary.
- To clean your item, please use a damp cloth and wipe clean.
- Never allow any kind of liquid to remain on your furniture. Absorption can cause wood to warp or finishes to de-laminate.
- Please do not place hot items (eg. hot drinks) directly on to the surface.
- Please do not drag and pull your furniture.

Austin Coffee Table

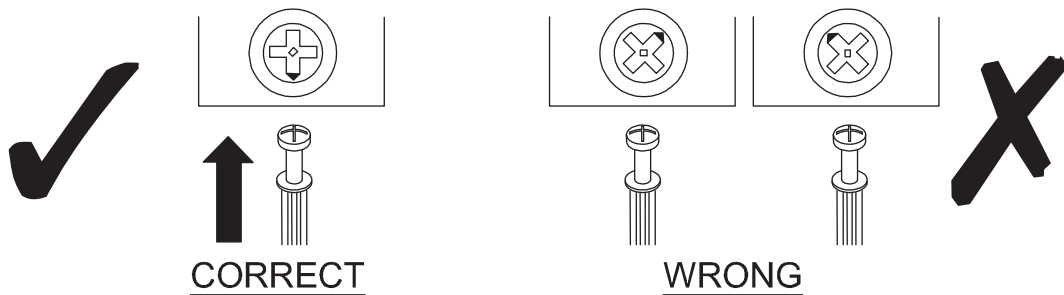
Tips before you start:

QUICKFIT



Tighten quickfit until shoulder is flush with panel. Do not overtighten or undertighten.

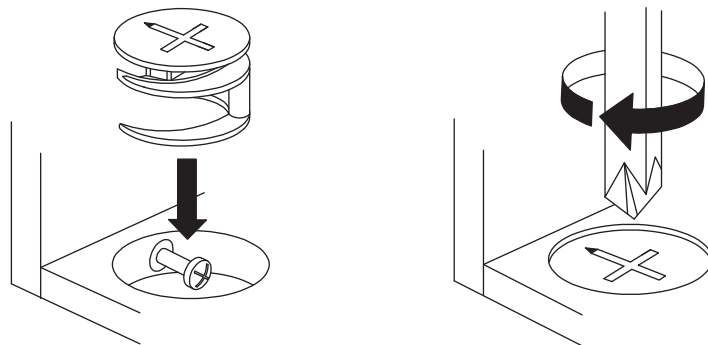
CAM LOCK



When fitting cam lock, ensure starting position is correct before you insert connecting quickfit.

Quickfit head should be in the centre of the cam lock when the two panels are joined.

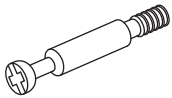





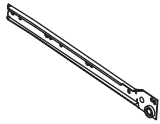
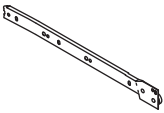

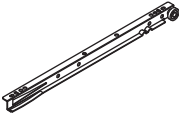



Cam lock should be inserted before quickfit.



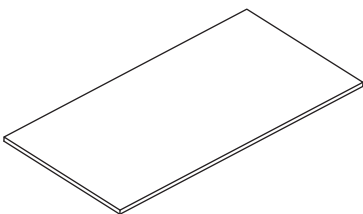
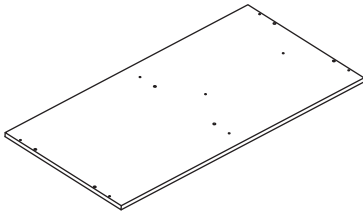
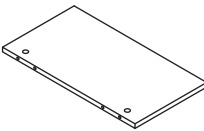
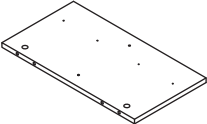
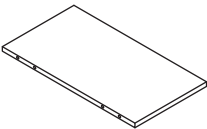
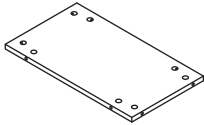
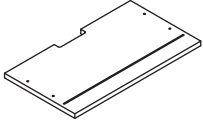
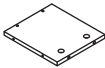
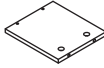
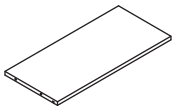
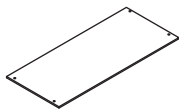
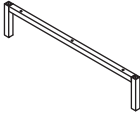
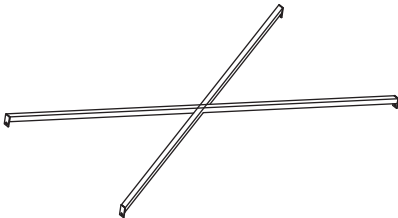
Turn cam lock clockwise to tighten.

Austin Coffee Table

HARDWARE LIST

						
22 x A Quickfit Screw	22 x B Cam Lock	12 x C Wooden Dowel	4 x D Bolt 6 x 8mm	1 x E Allen Key	6 x F Screw 5 x 45mm	2 x G Outer Drawer Runner
						
2 x H Outer Drawer Runner	16 x I Screw 3.5 x 12mm	2 x J Inner Drawer Runner	2 x K Inner Drawer Runner	8 x L Screw 4 x 30mm	6 x M Screw 4 x 25mm	

PARTS LIST

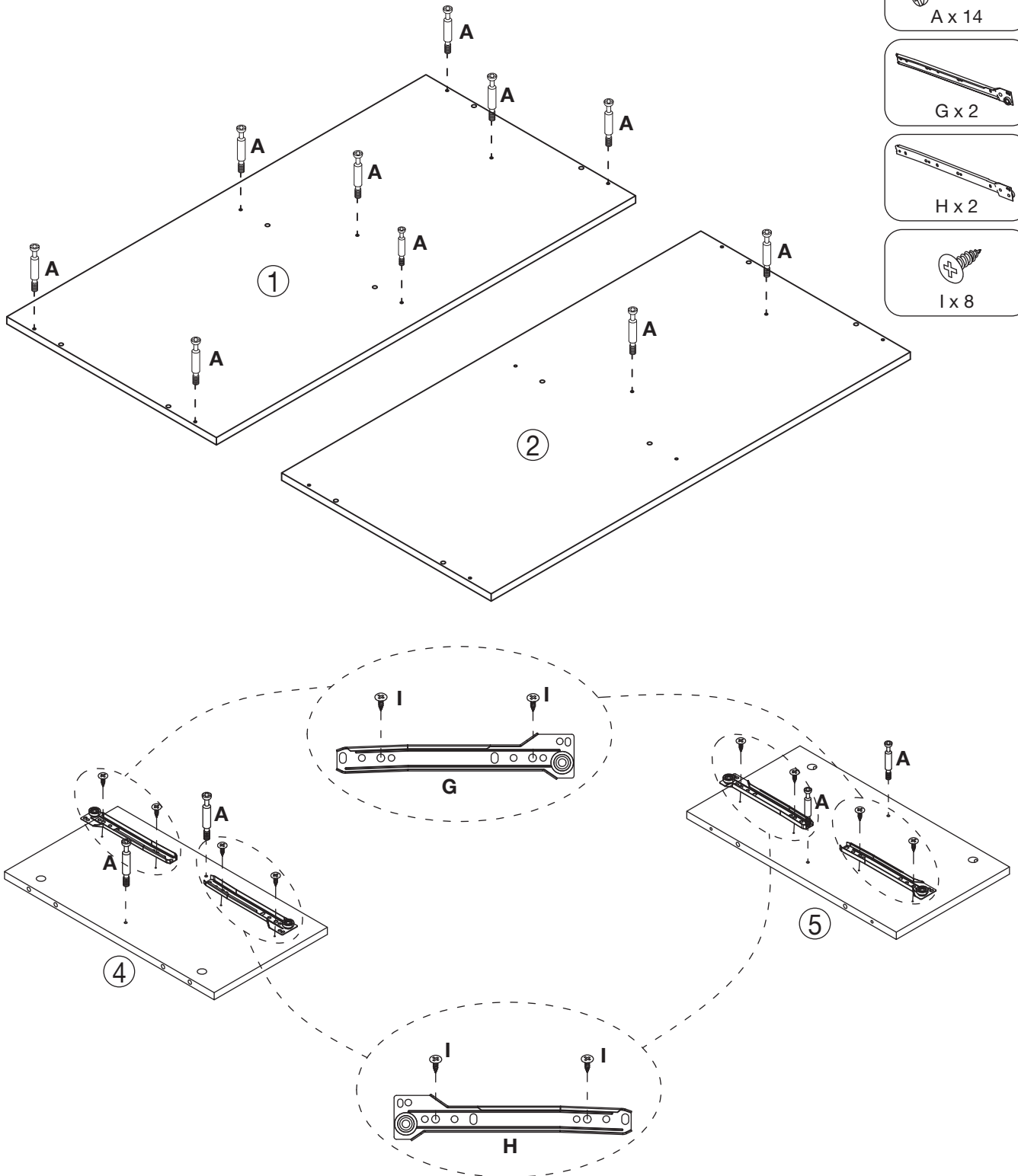
							
1	1 PC	2	1 PC	3	1 PC	4	1 PC
							
							
5	1 PC	6	1 PC	7	2 PCS	8	2 PCS
							
10	2 PCS	11	2 PCS	12	2 PCS	13	1 PC

Austin Coffee Table

STEP 1

Insert quickfit screws (A) to part 1, 2, 4 and 5.

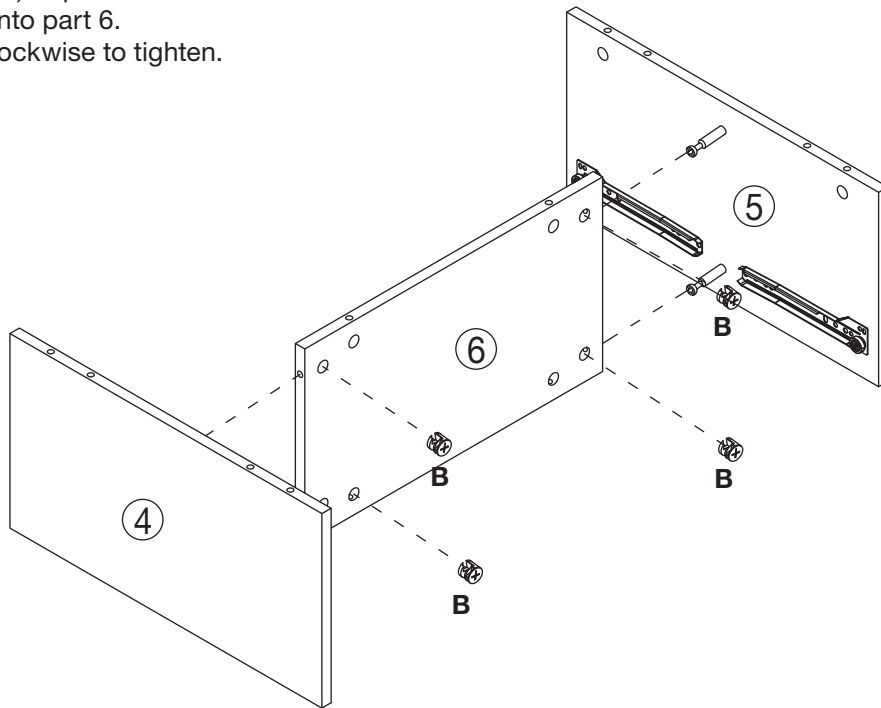
Fix outer drawer runner (G) and (H) to parts 4 and 5 using screws I.



Austin Coffee Table

STEP 2

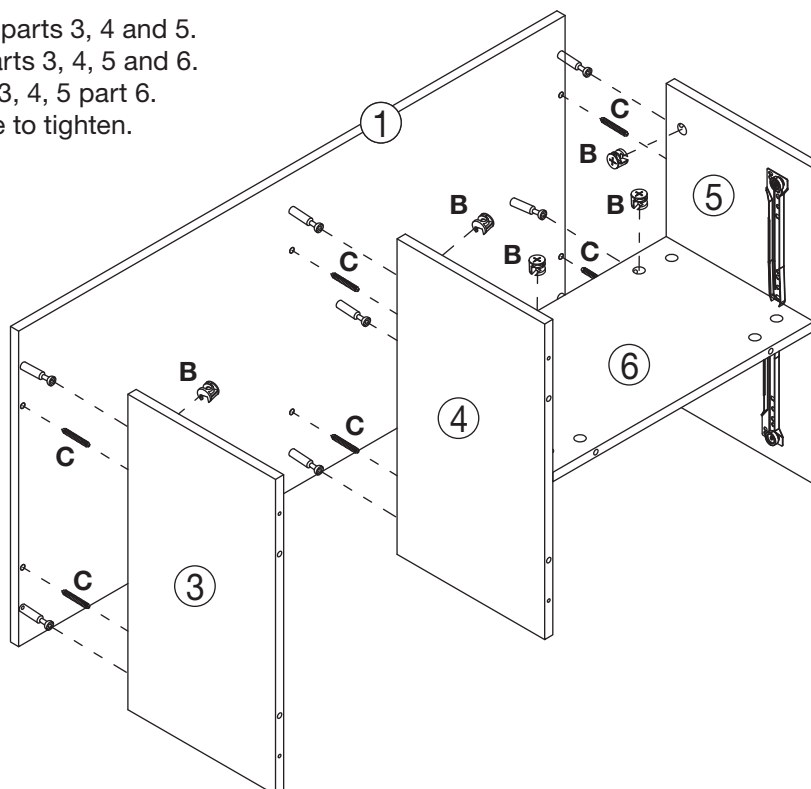
Insert cam locks (B) to part 6.
Fit parts 4 and 5 into part 6.
Turn cam locks clockwise to tighten.



B x 4

STEP 3

Fit wooden dowels (C) to parts 3, 4 and 5.
Insert cam locks (B) to parts 3, 4, 5 and 6.
Fit top panel 1 into parts 3, 4, 5 part 6.
Turn cam locks clockwise to tighten.



B x 8

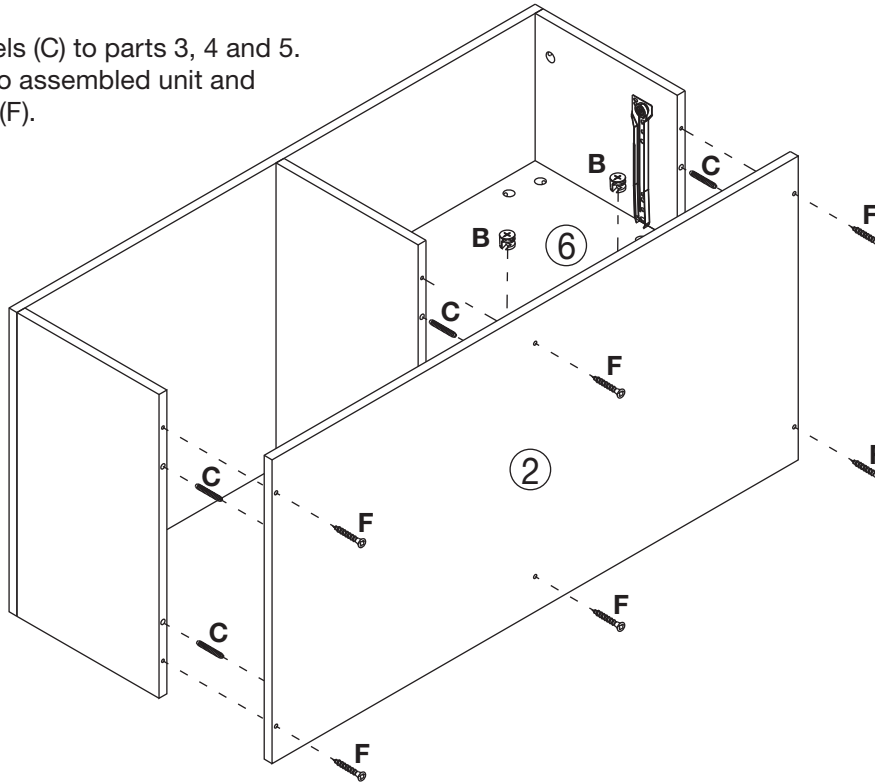


C x 6

Austin Coffee Table

STEP 4

Insert wooden dowels (C) to parts 3, 4 and 5.
Fit bottom panel 2 to assembled unit and secure with screws (F).



B x 2



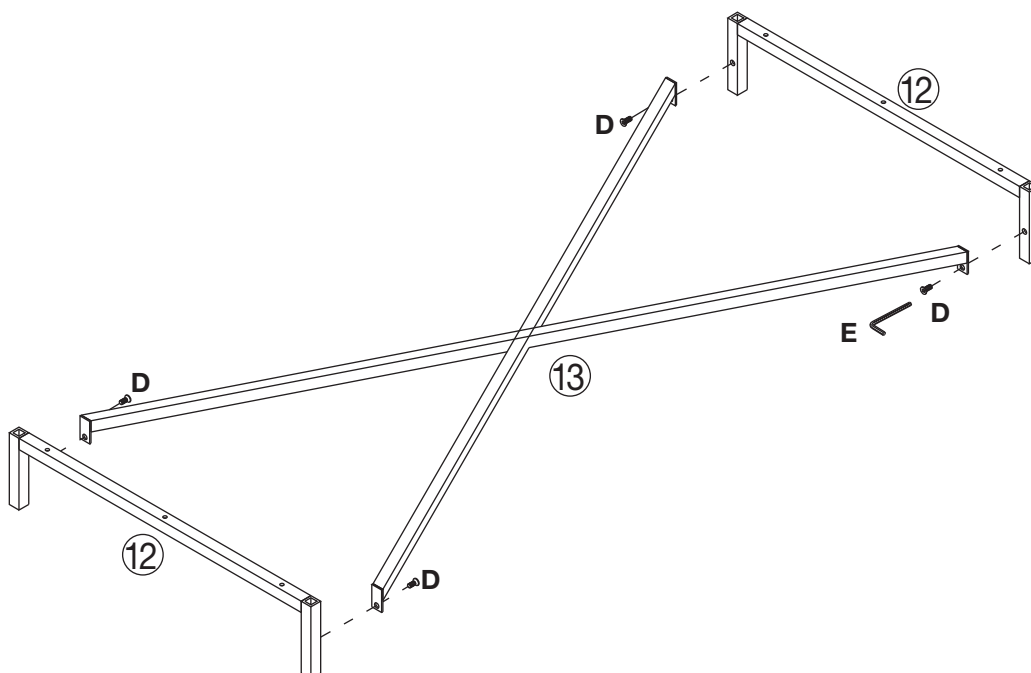
C x 6



F x 6

STEP 5

Fix legs 12 and leg rames 13 together using bolts (D) and allen key (E).



D x 4

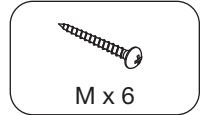
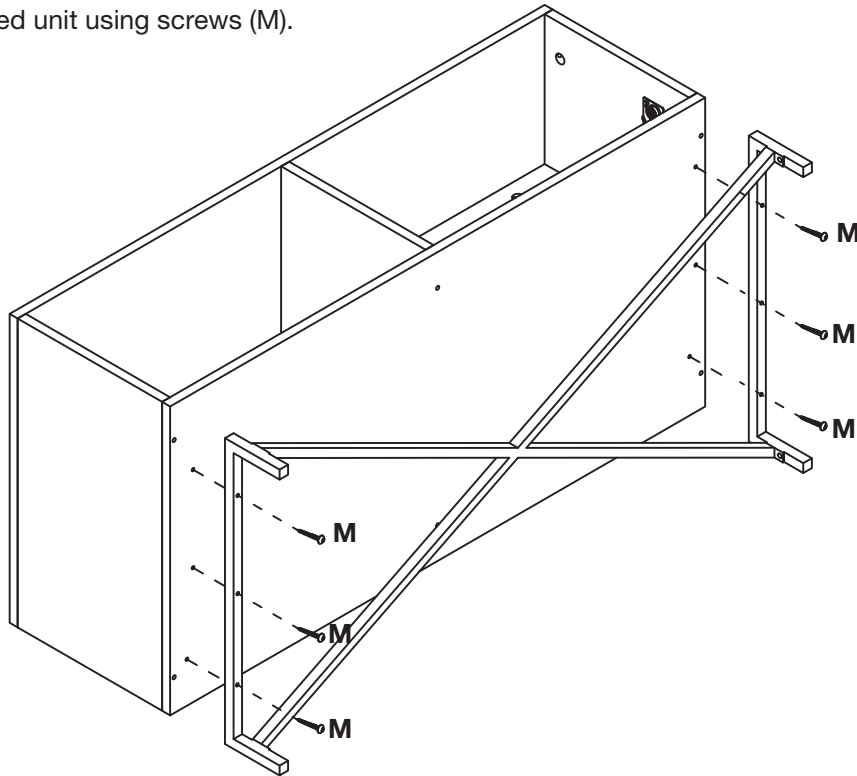


E x 1

Austin Coffee Table

STEP 6

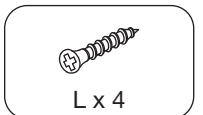
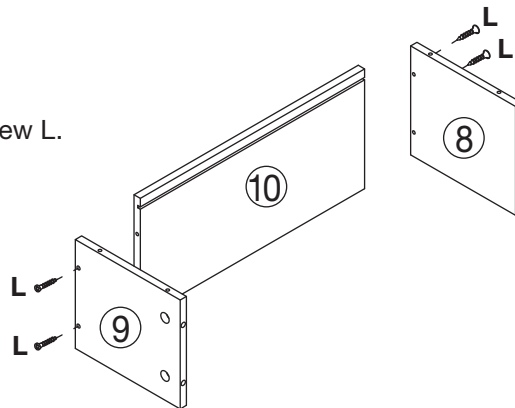
Fix legs to assembled unit using screws (M).



STEP 7

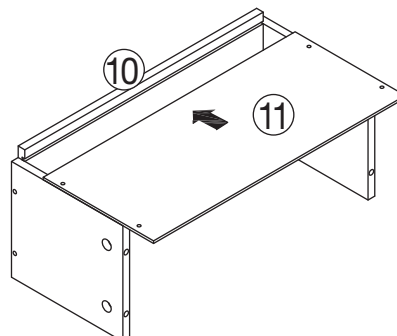
7.1

Fix parts 8 and 9 to part 10 using screw L.



7.2

Slide part 11 into grooves of part 10, as shown.

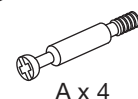
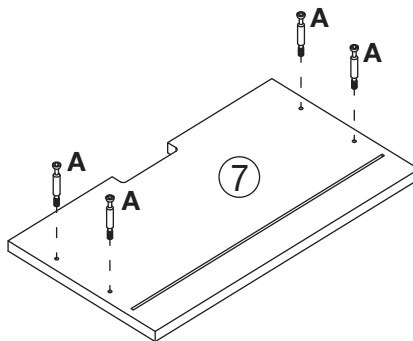


Austin Coffee Table

STEP 7

7.3

Insert quickfit screws (A) to front panel 7.

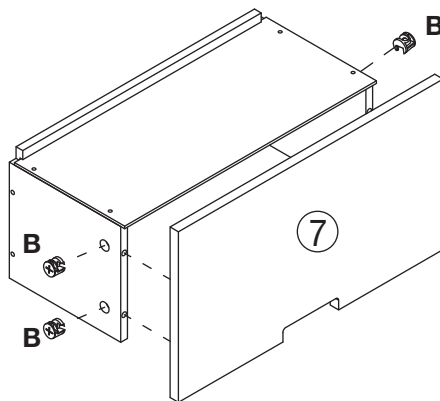


A x 4

7.4

Insert cam locks (B) to parts 8 and 9.

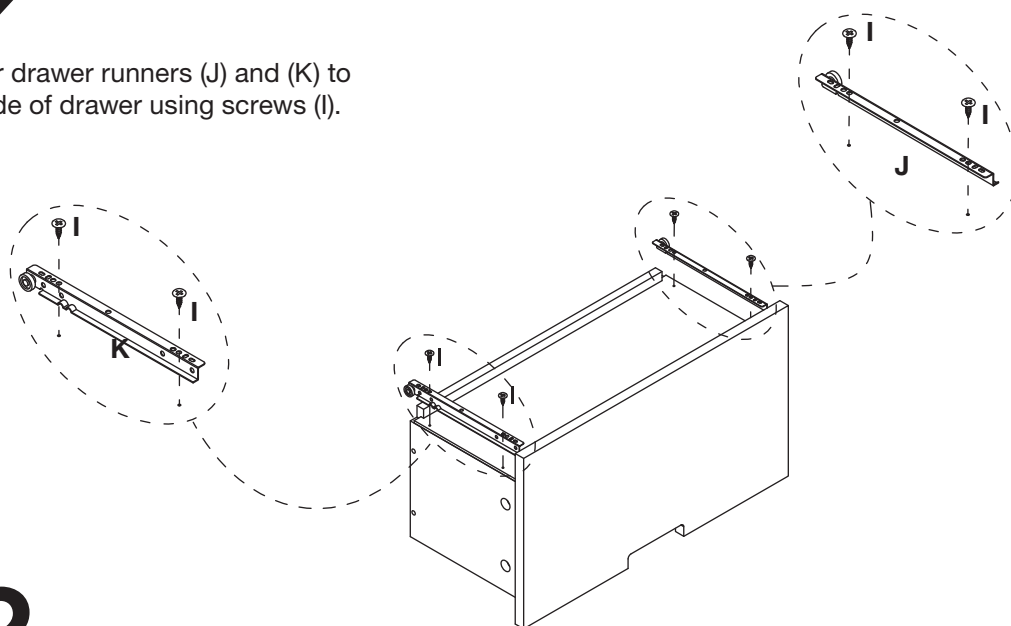
Fit front panel 7 to assembled drawer.
Turn cam locks clockwise to tighten.



B x 4

7.5

Fix inner drawer runners (J) and (K) to underside of drawer using screws (I).



I x 4

J x 1

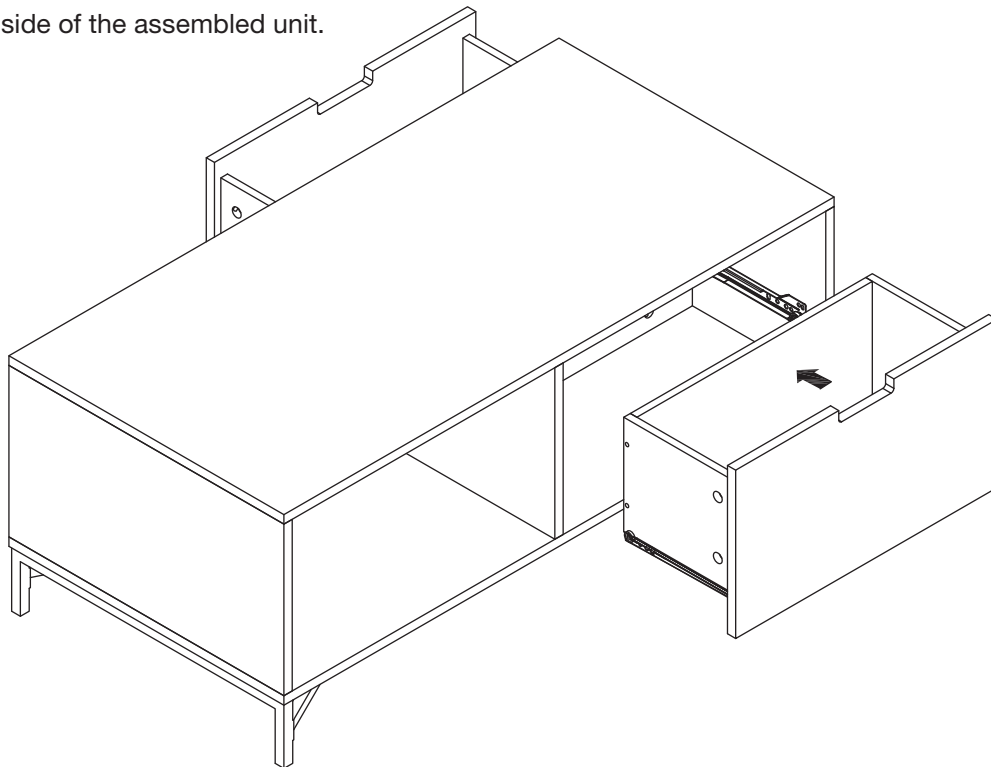
K x 1

x2 Repeat for all 2 drawers

Austin Coffee Table

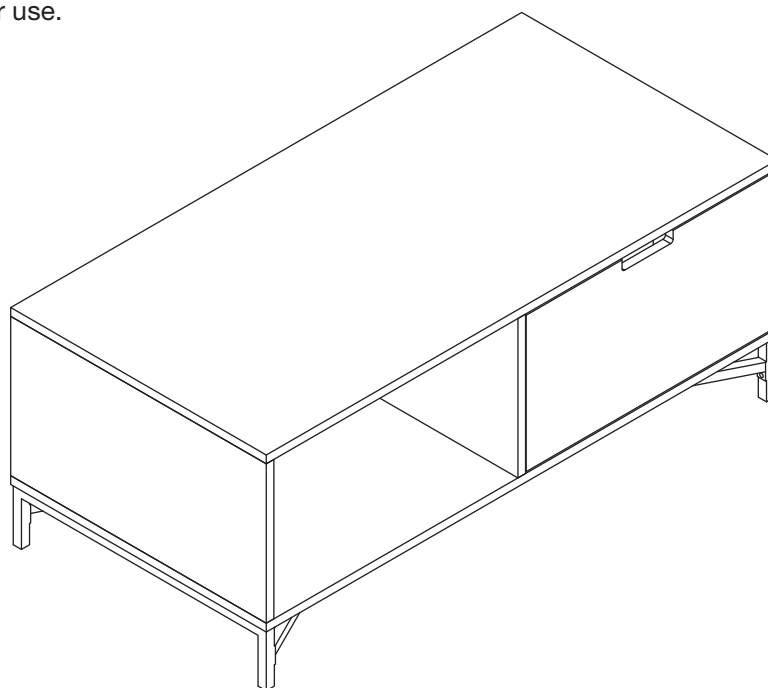
STEP 8

Slide drawers on both side of the assembled unit.



STEP 9

Your coffee table is ready for use.



Maximum recommended weight is 10kg on top and 5kg per drawer.