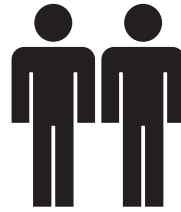


Austin 3 Drawer Chest

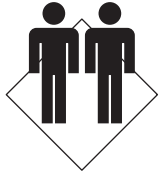
1.5hr

APPROXIMATE ASSEMBLY TIME

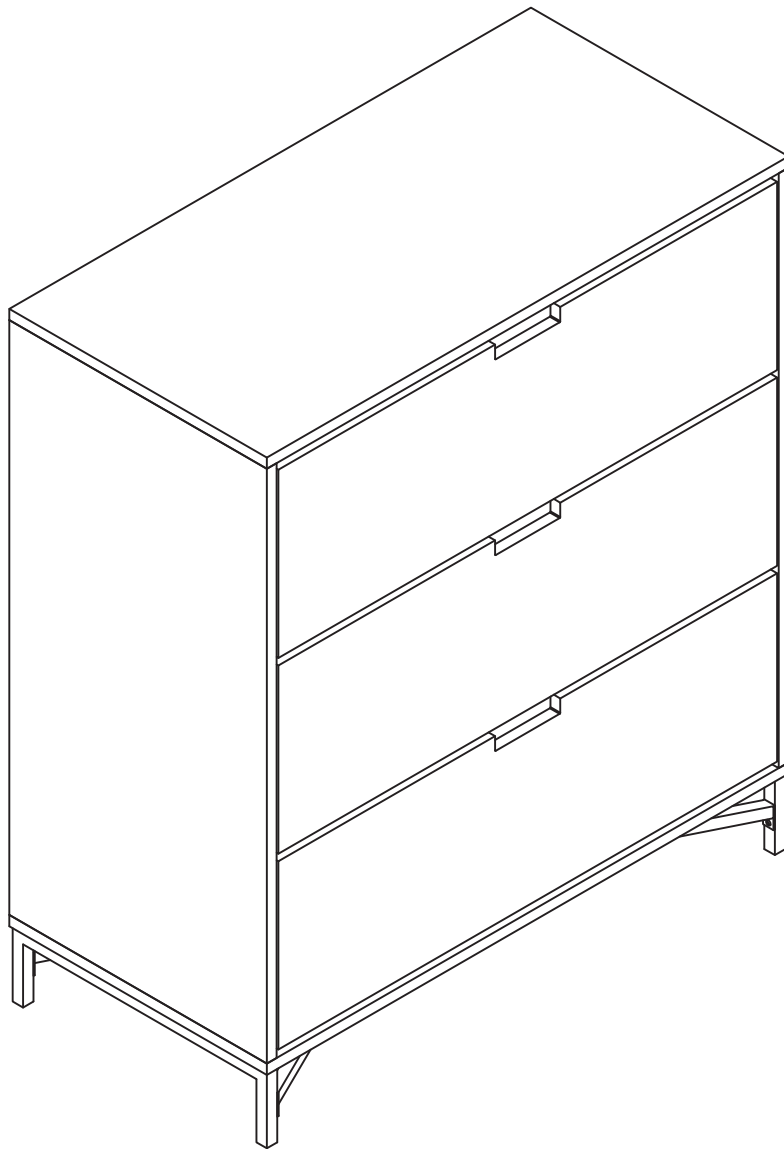


2 PERSON ASSEMBLY

FLOOR AREA
1M x 2M



REQUIRED ASSEMBLY SPACE



Austin 3 Drawer Chest

Tips before you start:

1. Please check that all parts are present before you start the assembly of your furniture.
2. For ease and speed of assembly, we recommend that before you commence each step of the assembly, that you identify all the parts required for that step.
3. For larger items, please ensure that you have sufficient space and people (as indicated on page 1) to assemble your product safely.
4. We recommend that, where possible, all items are assembled near to the area in which they will be placed in use, to avoid moving the product unnecessarily once assembled.
5. For the protection of your furniture, we recommend that the product is placed on a protected surface during assembly to prevent any damage.
6. During assembly please take care not to over-tighten any fittings, as this may damage the product.
7. Always place the product on a flat, steady and stable surface.
8. Do not stand on the product. Do not use the product as a stepladder.
9. This product is intended for indoor, household use only as it is a non-industrial product.
10. Please use caution and care when lifting the product to avoid personal injury and/or product damage.

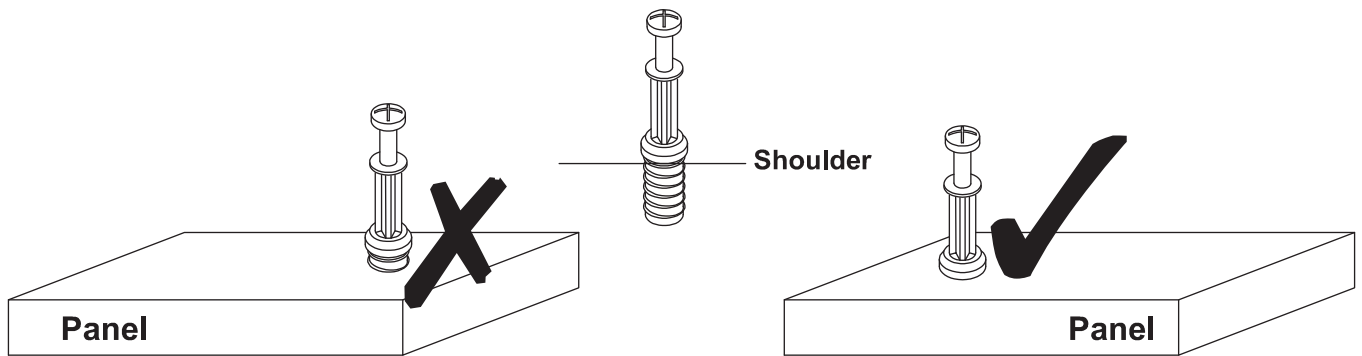
Care and Maintenance of your Furniture

- Please periodically check all fittings and re-tighten as necessary.
- To clean your item, please use a damp cloth and wipe clean.
- Never allow any kind of liquid to remain on your furniture. Absorption can cause wood to warp or finishes to de-laminate.
- Please do not place hot items (eg. hot drinks) directly on to the surface.
- Please do not drag and pull your furniture.

Austin 3 Drawer Chest

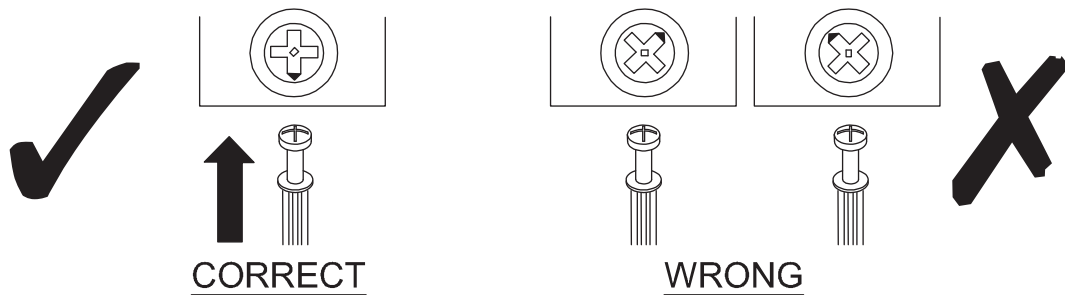
Tips before you start:

QUICKFIT



Tighten quickfit until shoulder is flush with panel. Do not overtighten or undertighten.

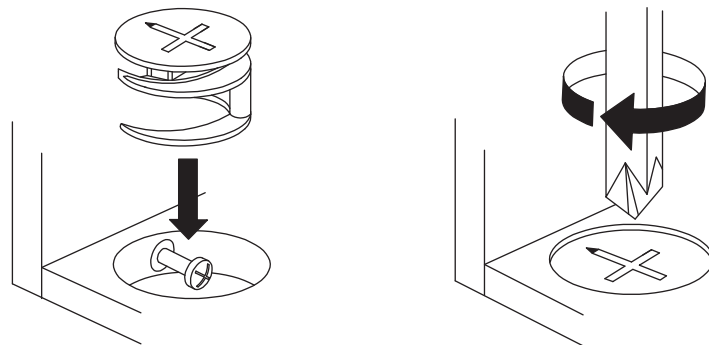
CAM LOCK



When fitting cam lock, ensure starting position is correct before you insert connecting quickfit.

Quickfit head should be in the centre of the cam lock when the two panels are joined.

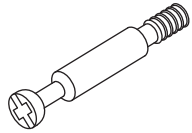
Cam lock should be inserted before quickfit.



Turn cam lock clockwise to tighten.

Austin 3 Drawer Chest

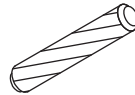
HARDWARE LIST



21 x A
Quickfit
Screw



21 x B
Cam Lock



10 x C
Wooden
Dowel



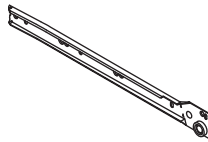
4 x D
Bolt
6 x 8 mm



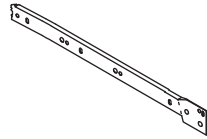
1 x E
Screw
4 x 12mm



1 x F
Wall
Bracket



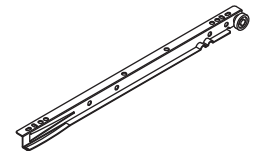
3 x G
Outer Drawer
Runner



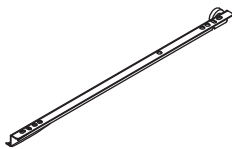
3 x H
Outer Drawer
Runner



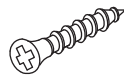
36 x I
Screw
3.5 x 12mm



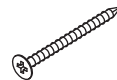
3 x J
Inner Drawer
Runner



3 x K
Inner Drawer
Runner



18 x L
Screw
4 x 30mm



1 x M
Screw
4 x 35mm



1 x N
Wall Plug



1 x O
Allen Key



8 x P
Screw
3 x 14mm



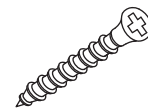
8 x Q
Wedge



6 x R
Screw
4 x 25mm



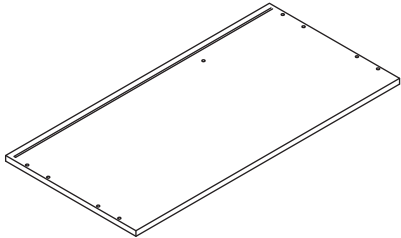
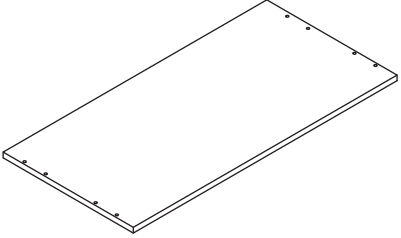
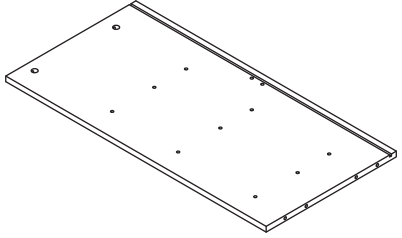
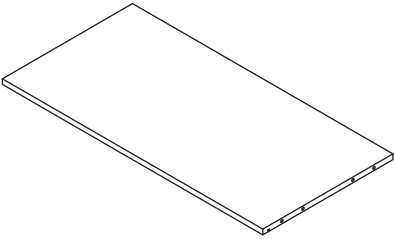
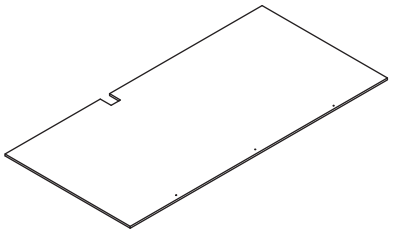
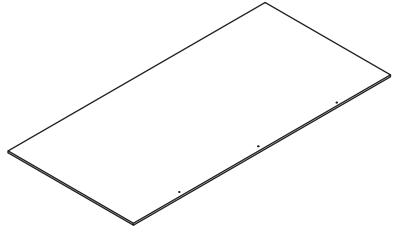
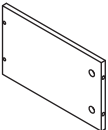
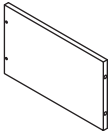
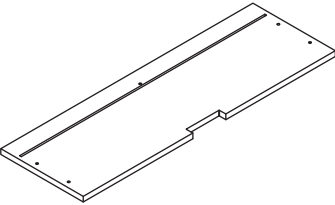
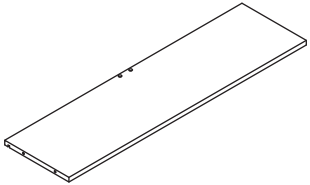
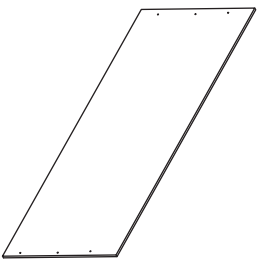

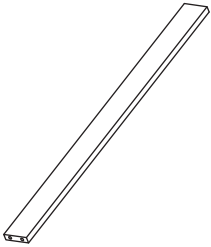
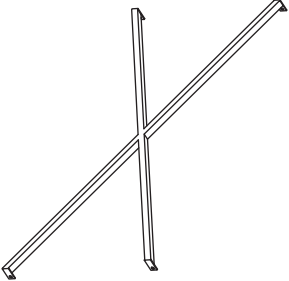
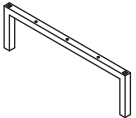
6 x S
Screw
3 x 12mm



4 x T
Screw
5 x 45mm

Austin 3 Drawer Chest

PARTS LIST

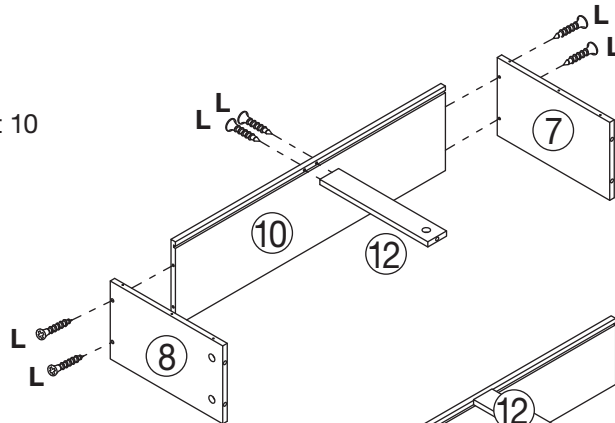
				
1 1 PC	2 1 PC	3 1 PC		
				
4 1 PC	5 1 PC	6 1 PC		
				
7 3 PCS	8 3 PCS	9 3 PCS	10 3 PCS	
				
11 3 PCS	12 3 PCS	13 1 PC	14 1 PC	15 2 PCS

Austin 3 Drawer Chest

STEP 1

1.1

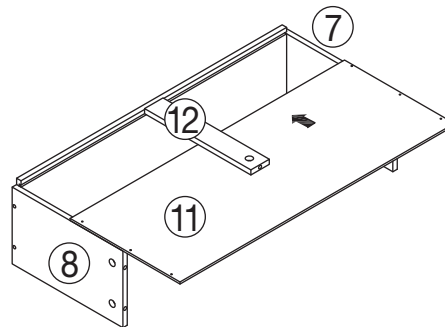
Fix parts 7, 8 and 12 to part 10 using screws (L).



L x 6

1.2

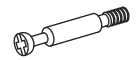
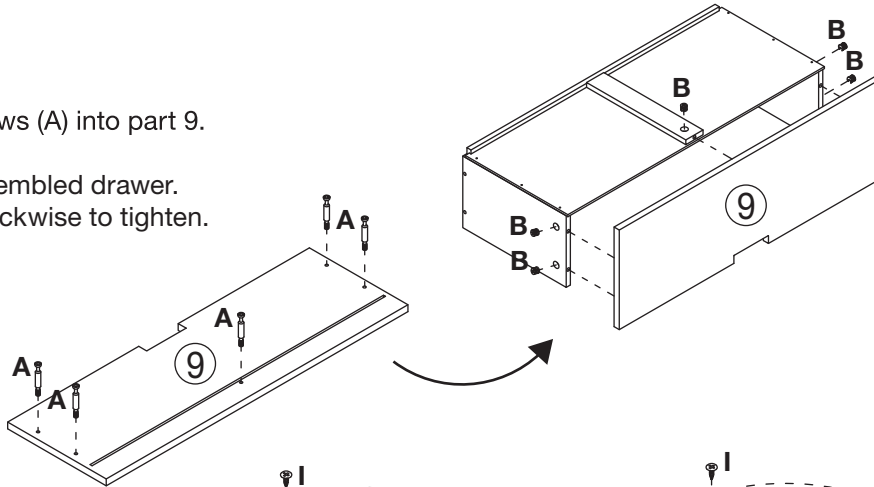
Slide part 11 on top of part 7 and 8, and underneath part 12, as shown.



1.3

Insert quickfit screws (A) into part 9.

Fit front part 9 assembled drawer. Turn cam locks clockwise to tighten.



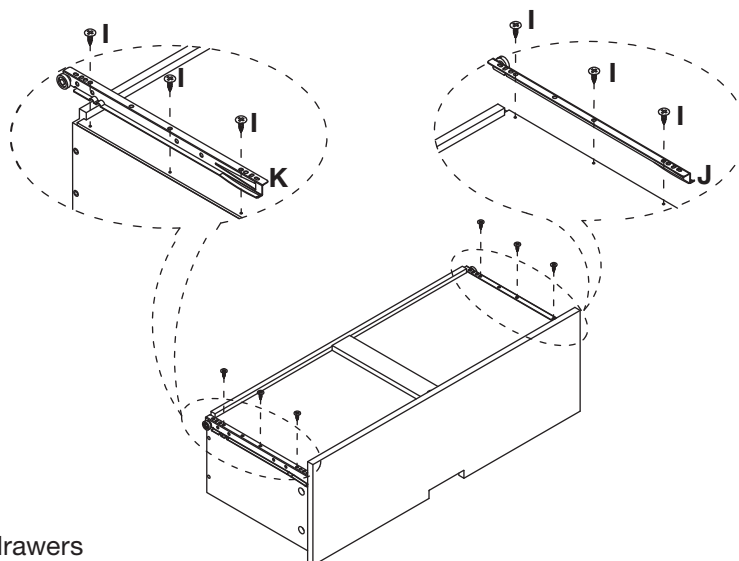
A x 5



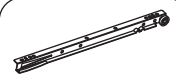
B x 5

1.4

Fix inner drawer runners (J) and (K) to underside of drawer using screws (I), as shown.



I x 6



J x 1



K x 1

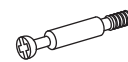
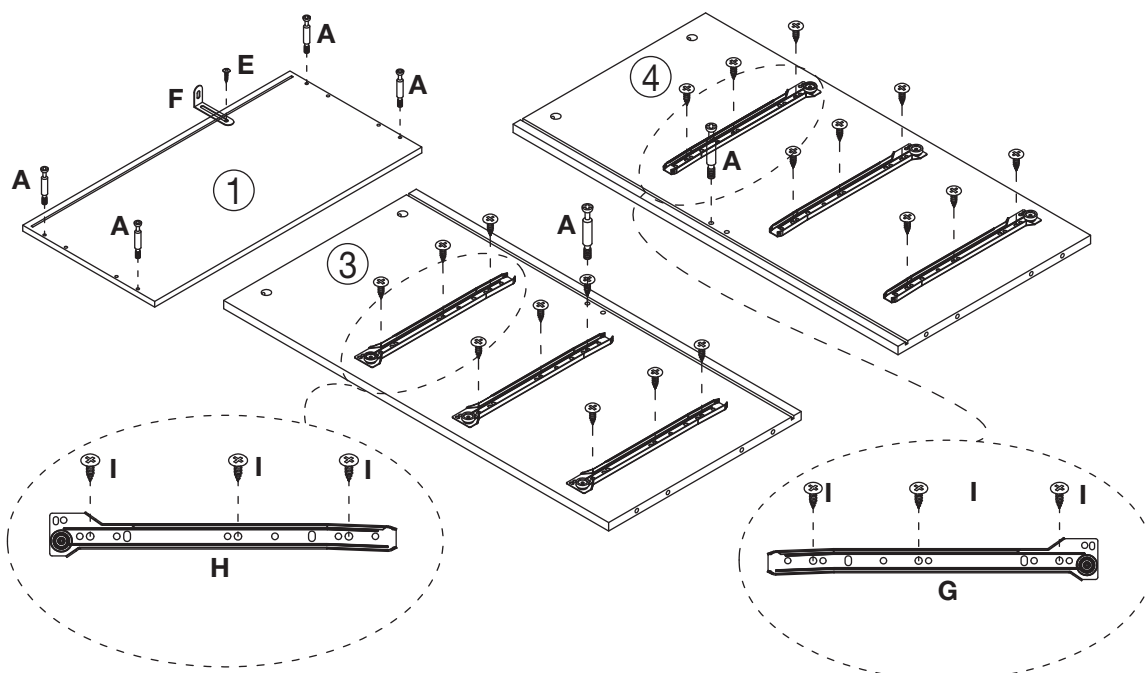
x3

Repeat for all 3 drawers

Austin 3 Drawer Chest

STEP 2

Fix quickfit screws (A) into parts 1, 3 and 4.
Fix wall bracket (F) to part 1 using screw (E).
Fix outer drawer runners (G) and (H) using screws (I), as shown.



A x 6



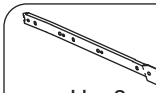
E x 1



F x 1



G x 3



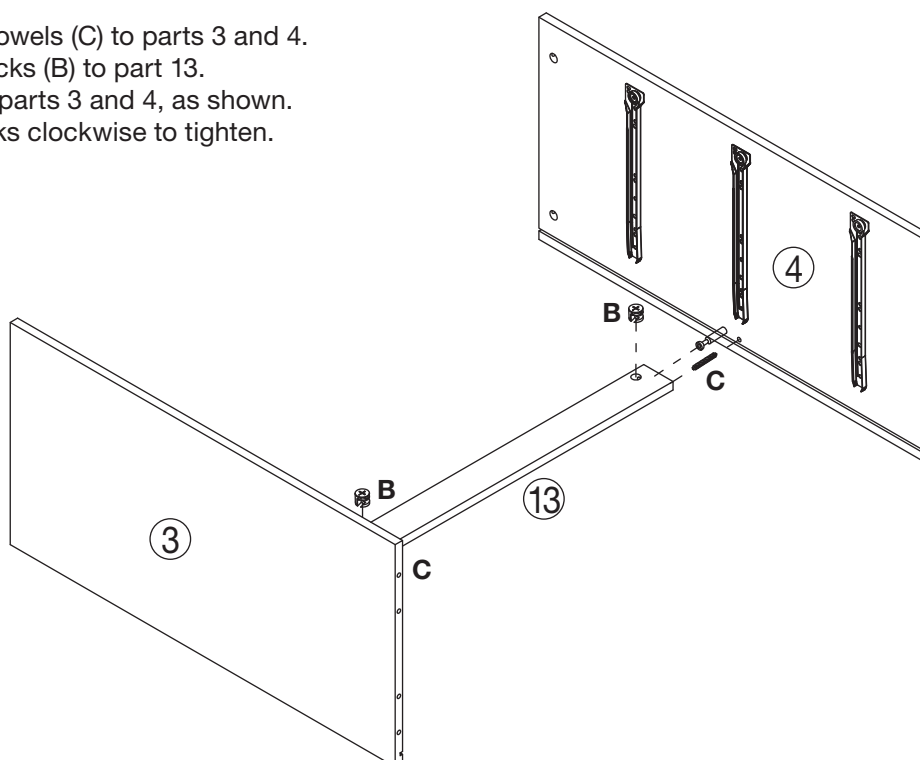
H x 3



I x 18

STEP 3

Fit wooden dowels (C) to parts 3 and 4.
Insert cam locks (B) to part 13.
Fit part 13 to parts 3 and 4, as shown.
Turn cam locks clockwise to tighten.



B x 2



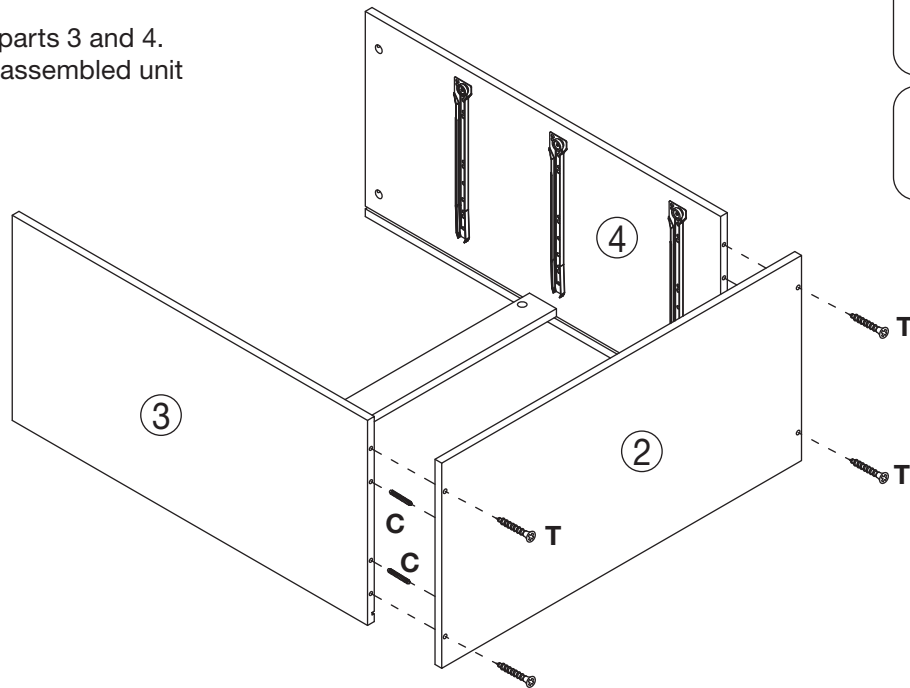
C x 2

Austin 3 Drawer Chest

STEP 4

Insert wooden dowels (C) to parts 3 and 4.

Fit bottom panel 2 onto parts 3 and 4.
Secure bottom panel to assembled unit
using screws (T).



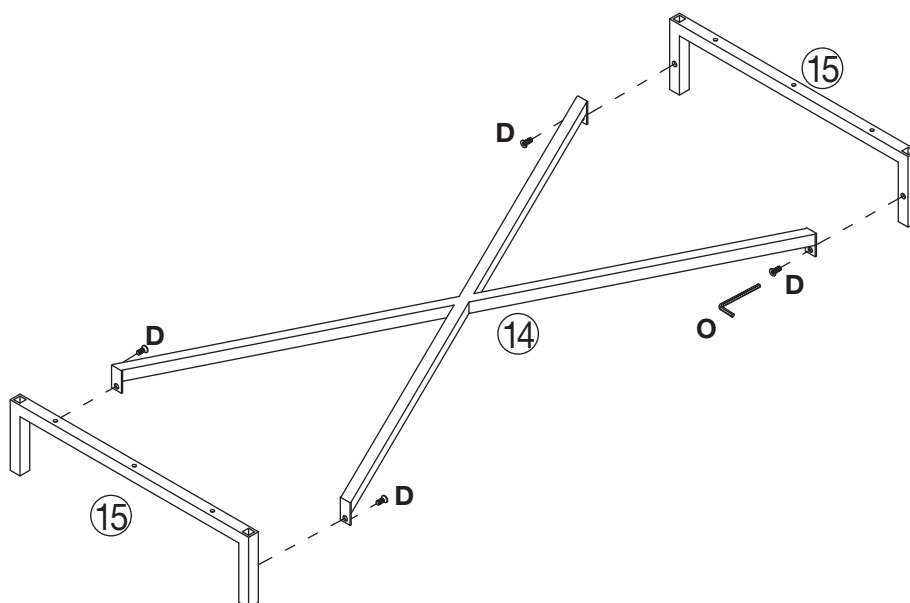
C x 4



T x 4

STEP 5

Fix legs 15 to leg frame 14 together, as shown, using bolts D and allen key (O).



D x 4

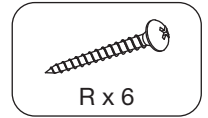
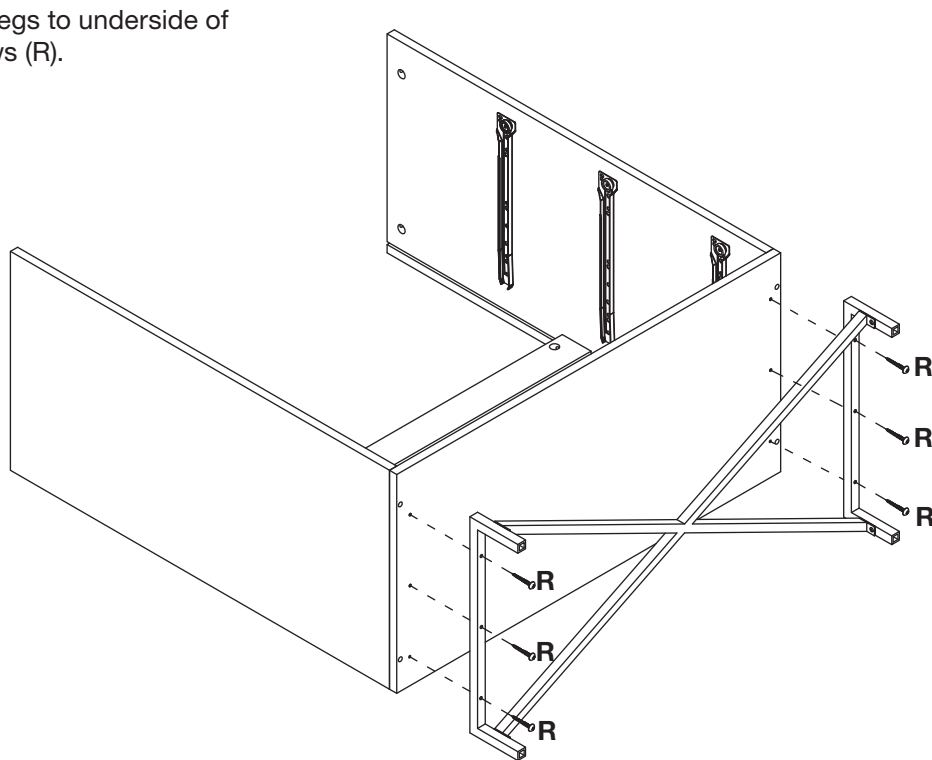


O x 1

Austin 3 Drawer Chest

STEP 6

Fix assembled legs to underside of unit using screws (R).

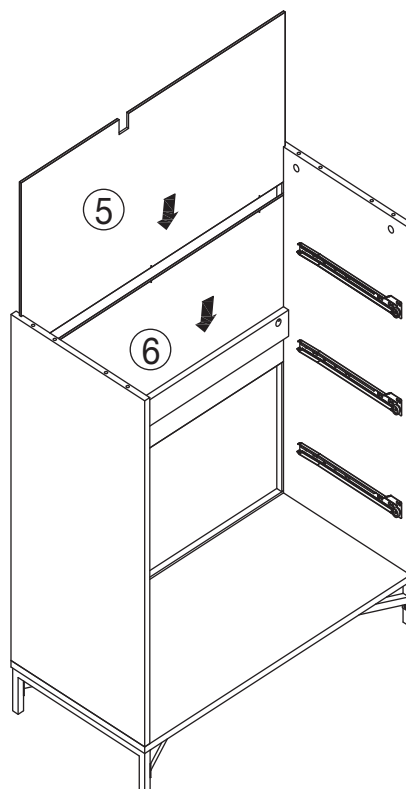


STEP 7

Carefully turn assembled unit upright.

Slide back panel 6 into grooves between parts 3 and 4 all the way to the bottom.

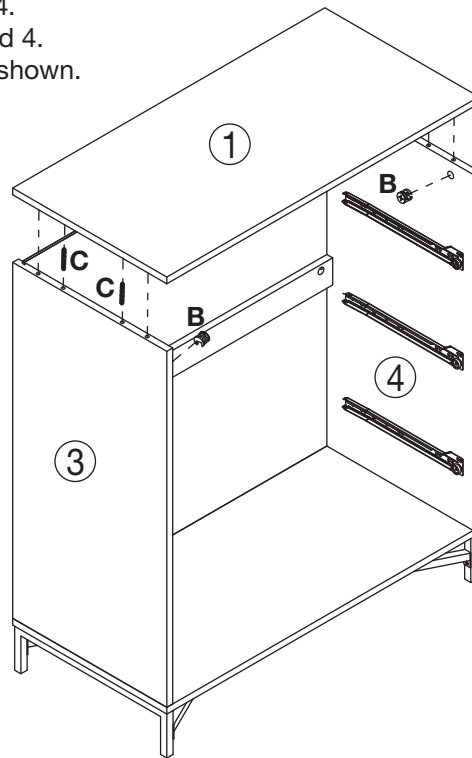
Lastly, slide back panel 5 into grooves between parts 3 and 4, as shown.



Austin 3 Drawer Chest

STEP 8

Insert cam locks (B) into side panels 3 and 4.
Fit wooden dowels (C) into side panels 3 and 4.
Lower top panel 1 onto assembled unit, as shown.
Turn cam locks clockwise to tighten.



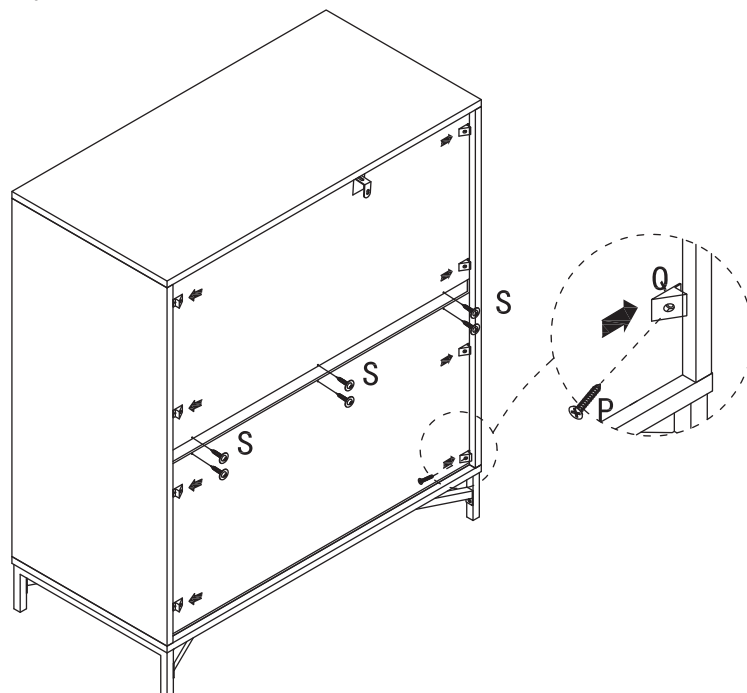
B x 4



C x 4

STEP 9

Secure back panels by fixing wedges (Q) to back of unit using screws (P).
Fix additional screws (S) to back panels, as shown.



P x 8



Q x 8



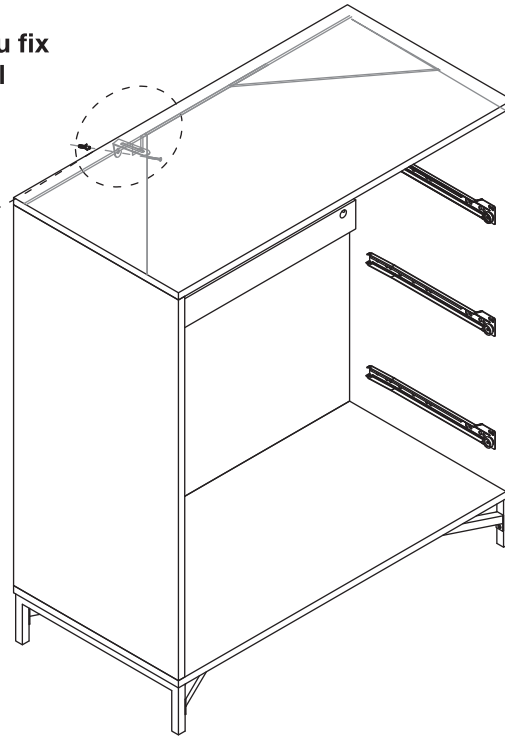
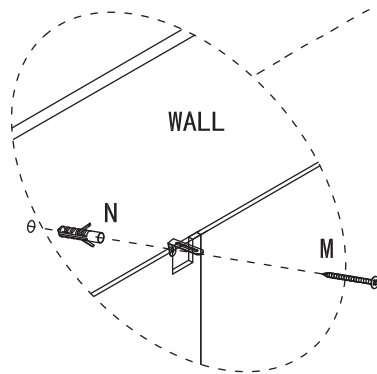
S x 6

Austin 3 Drawer Chest

STEP 10

Move assembled unit to its final position.

For extra stability, it is recommended that you fix your chest drawer to the wall using additional hardware (M and N), as shown.



M x 1

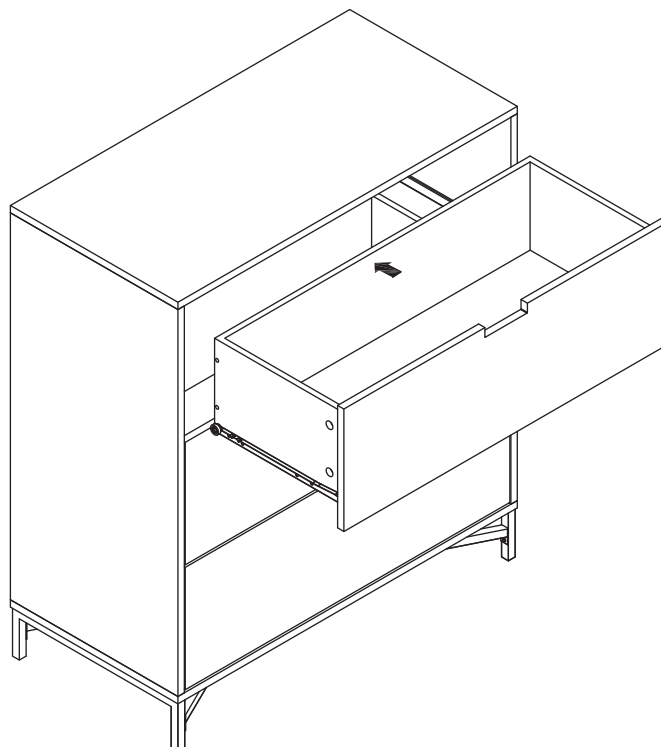


N x 1

Should you choose not to affix the product to the wall, serious injury may be caused if the product tips over

STEP 11

Insert assembled drawers (step 1) into assembled unit, as shown.



Austin 3 Drawer Chest

WALL FIXING GUIDE

NOTE: Supplied wall plugs are only suitable for use in masonry walls.

If you have any doubts about using the correct plug for your wall, please seek professional advice. Failure of the product due to using incorrect fixings is the responsibility of the installer.



IMPORTANT:

When drilling into walls, always check for hidden wires or pipes, etc.



Tips & Tricks

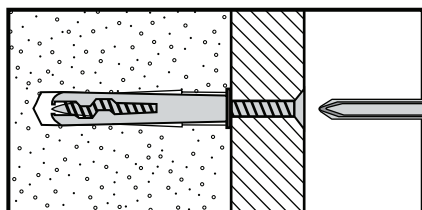
Make sure that the hardware used is suitable for supporting your unit.

Please consult a qualified tradesperson if unsure.

- ☒ If you are unsure, please select a larger screw and wall plug.
- ☒ Ensure that you use the recommended drill bit to match the wall plug and hole size.
- ☒ Take extra care when drilling high walls, ceiling and ceramic tiles. Ensure wall plugs are inserted beyond the thickness of the ceramic tiles to avoid splitting or cracking.
- ☒ Ensure that wall plugs are well fitted and are a tight fit in the drilled hole.

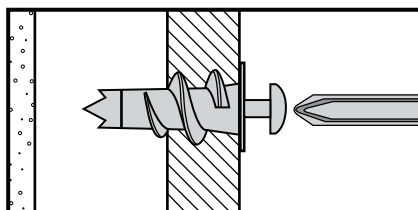
Types of Walls

Use one of the following types of wall plug (not included) if your walls are made of brick, breeze block, concrete, stone or wood. Screws may be able to be fixed directly to solid wood walls as they will provide a secure anchor point.



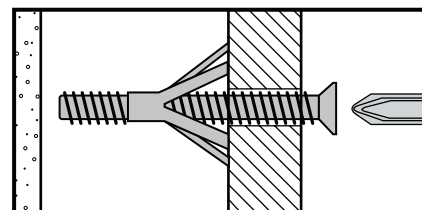
1. General Purpose Wall Plug

Generally, aerated blocks should not be used to support heavy loads, use a specialist fitting in this case. For light loads, general purpose wall plugs can be used.



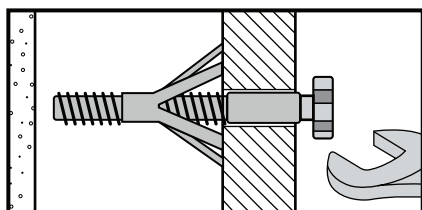
2. Plasterboard Wall Plug

For use when attaching light loads onto plasterboard partitions.



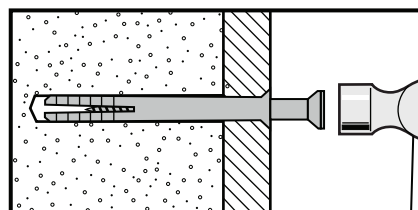
3. Cavity Fixing Wall Plug

For use with plasterboard partitions or hollow wooden doors.



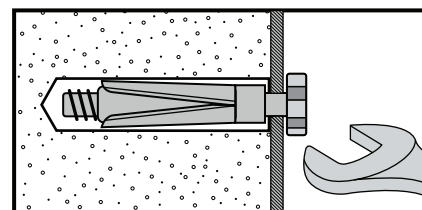
4. Cavity Fixing Heavy Duty Wall Plug

For use when fitting or supporting heavy loads such as shelving and wall cabinets.



5. Hammer Fixing Wall Plug

For use with concrete block or brick walls, or walls stuck with plasterboard. The hammer fixing allows it to be fixed to the wall rather than the plasterboard. Always check the fixing is secure to the retaining wall.



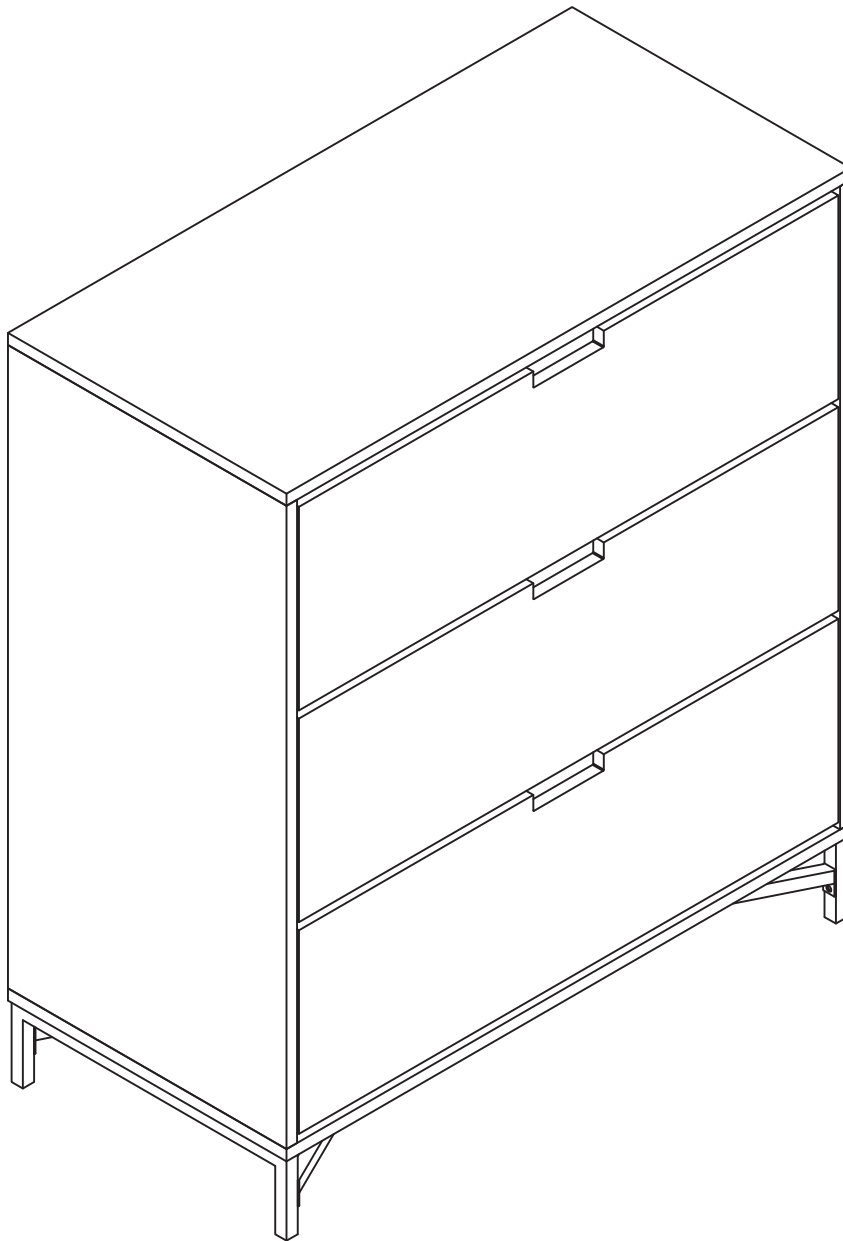
6. Shield Anchor Wall Plug Heavy Loads

For use with concrete or brick walls, or for use with heavier loads such as TV & HiFi speakers and satellite dishes, etc.

Austin 3 Drawer Chest

STEP 12

Your 3 drawer chest is ready for use.



Maximum recommended weight is 10kg on top and 5kg per drawer.