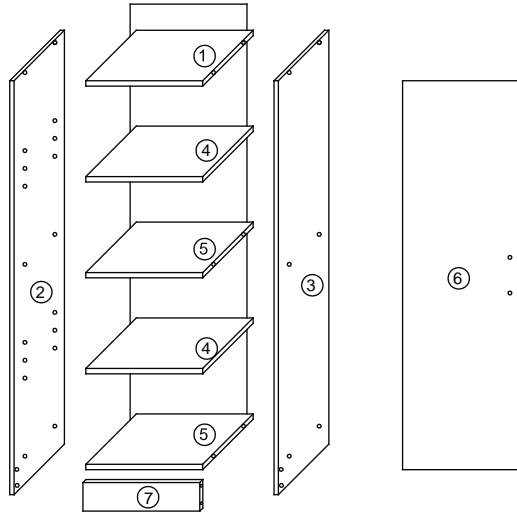
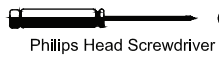


CAUTION

MATERIAL USE - LAMINATED MEDIUM DENSITY FIBERBOARD AND PARTICLEBOARD FRAME
 ● TO CLEAN USE SOFT DRY CLOTH ● DO NOT USE DETERGENT OR CHEMICALS ● AVOID CONTACT WITH WATER AND DIRECT SUNLIGHT ● TO BE ASSEMBLED ON A SOFT DRY CLEAN AND SMOOTH SURFACE.



TOOLS NECESSARY



Philips Head Screwdriver



TO CORRECTLY AND SAFELY ASSEMBLE THIS PRODUCT PLEASE USE THE CORRECT SIZE PHILIPS HEAD SCREW DRIVER. PLEASE NOTE USING A POWER DRILL MAY CAUSE DAMAGE TO THE PRODUCT.

P1		FLAT TOP SCREW (M5X40)	16 pcs
P2		DRAWER SCREW (M4X12)	18 pcs
P3		MOONSHAPE HANDLE MC SCREW	8 pcs
P4		MOONSHAPE HANDLE MC SCREW	1 pc
P5		HINGE	3 pcs
P6		NAIL	30 pcs
P7		ALLEN KEY	1 pc
P8		CAM CAP (17MM)	16 pcs
P9		PLASTIC LEG STUD	4 pcs

