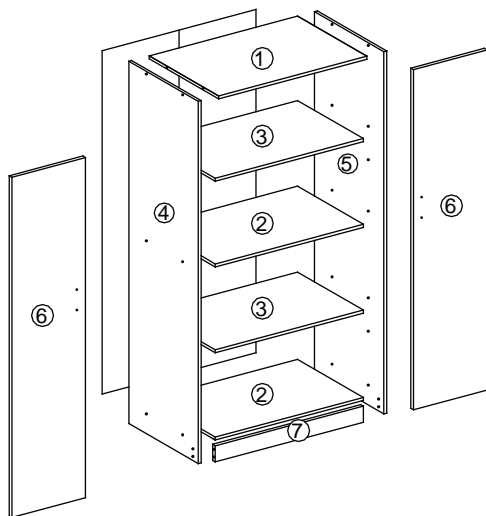
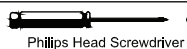


## CAUTION

MATERIAL USE - LAMINATED MEDIUM DENSITY FIBERBOARD AND PARTICLEBOARD FRAME  
 ● TO CLEAN USE SOFT DRY CLOTH ● DO NOT USE DETERGENT OR CHEMICALS ● AVOID CONTACT WITH WATER AND DIRECT SUNLIGHT ● TO BE ASSEMBLED ON A SOFT DRY CLEAN AND SMOOTH SURFACE.



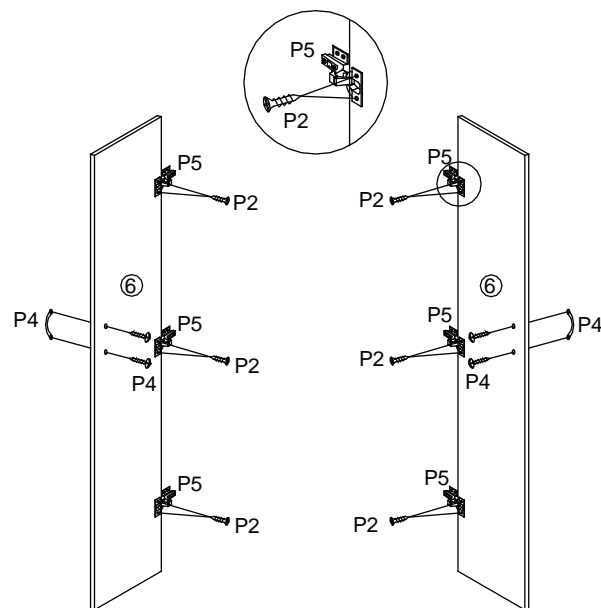
TOOLS NECESSARY



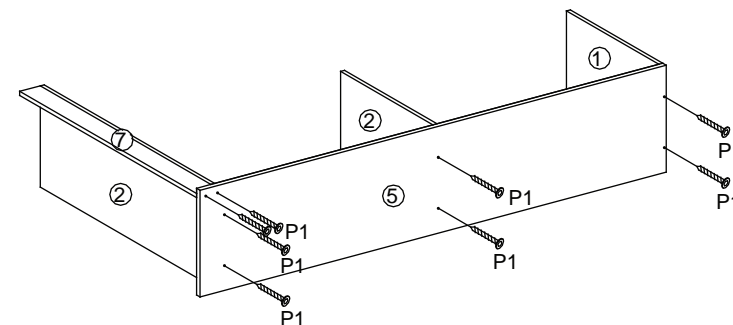
TO CORRECTLY AND SAFELY ASSEMBLE THIS PRODUCT PLEASE USE THE CORRECT SIZE PHILIPS HEAD SCREW DRIVER. PLEASE NOTE USING A POWER DRILL MAY CAUSE DAMAGE TO THE PRODUCT. DO NOT OVERTIGHTEN.

P1		FLAT TOP SCREW (M5X40)	16 pcs
P2		DRAWER SCREW (M4X12)	36 pcs
P3		PLASTIC LEG STUD	4 pcs
P4		MOONSHAPE HANDLE MC SCREW	2 pcs
P5		HINGE	6 pcs
P6		NAIL	60 pcs
P7		H.PROFILE	2 pcs
P8		CAM CAP (17MM)	16 pcs
P9		ALLEN KEY	8 pcs
P10		ALLEN KEY	1 pc

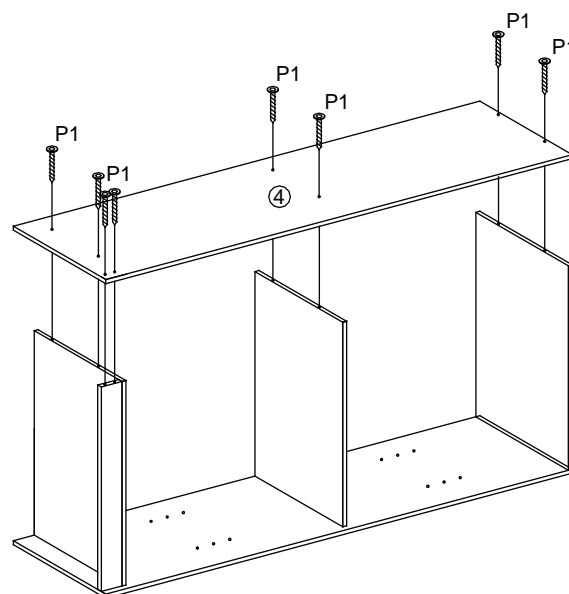
1



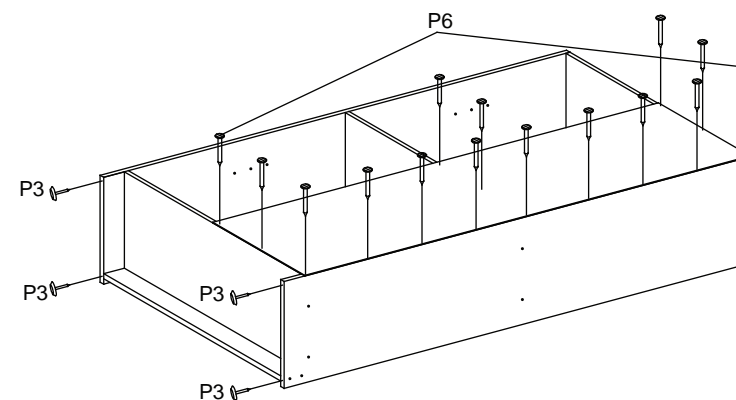
2



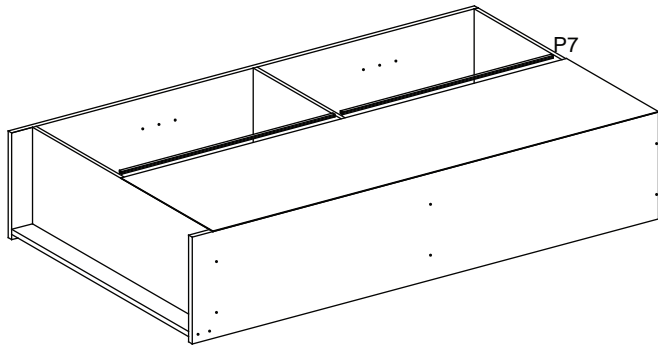
3



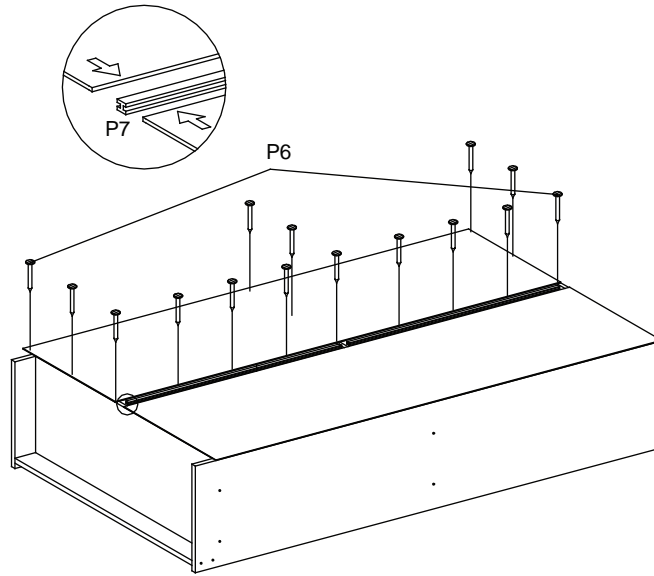
4



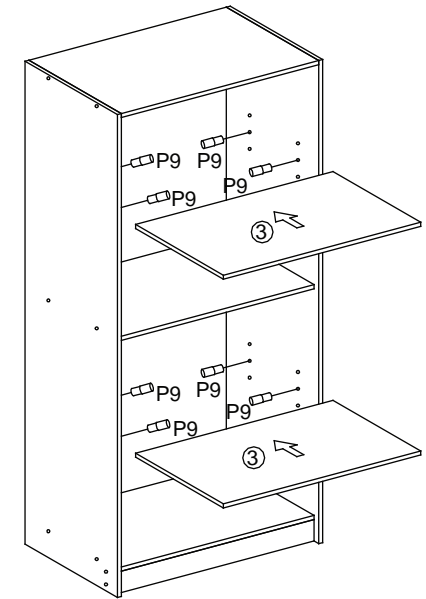
5



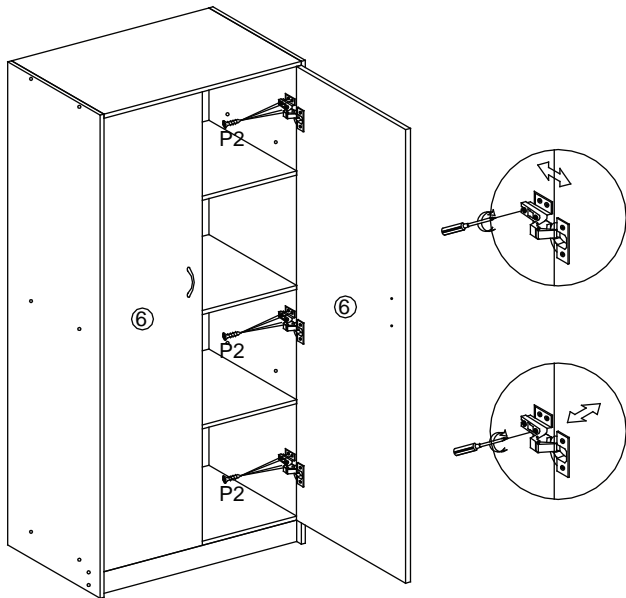
6



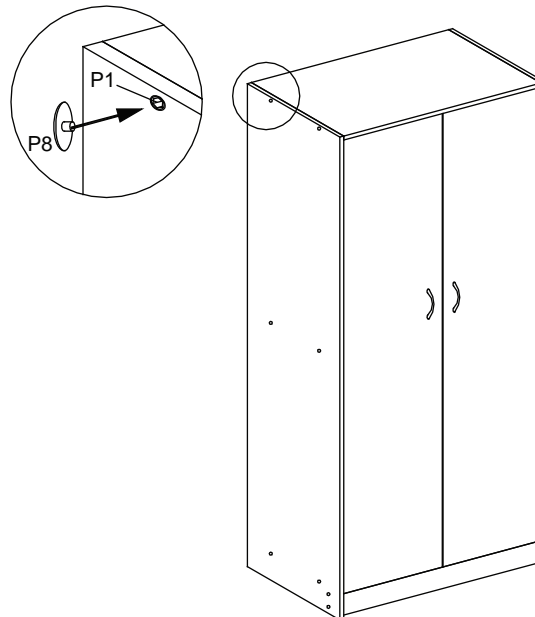
7



8



9



10

