

E7102 – 2 DRAWER BEDSIDE

Congratulations on your purchase of your **EPSOM 2 DRAWER BEDSIDE**. The **EPSOM** Collection is made in New Zealand from 100% New Zealand made MDF –an environmentally sound renewable resource.

If you require any parts or assembly advice or have any questions please go to www.warehousefurniture.co.nz or call us on **0800 100 858**.

WHERE TO ASSEMBLE YOUR BEDSIDE

Assemble your Bedside on a clean and smooth surface, free of anything which may damage the laminate surface. A carpeted floor is ideal. If assembling on a workbench or table we suggest you cover it with the carton the Bedside was packaged in.











Warning! Never leave hardware parts where children can reach them. Small parts may be a choking hazard!

PARTS LIST

Please check you have all the parts before beginning to assembling your Bedside. The measurements will help you identify each part. If any parts are missing or damaged please contact us directly. Do not call the store you bought the cabinet from as they will be unable to help you. **Note: You will find two pieces of board fitted across the ends of the package. These are for packing purposes only and are not part of the cabinet.**

QTY	PART	MEASUREMENTS	NOTES
1	Top	465 x 396 x 25mm	Black laminate on one side.
1	LH End	517 x 372 x 15mm	Black laminate on both sides.
1	RH End	517 x 372 x 15mm	Black laminate on both sides.
1	Top Drawer Front	413 x 195 x 15mm	Black laminate on one side.
1	Bottom Drawer Front	413 x 235 x 15mm	Black laminate on one side.
1	Front Toeboard	419 x 80 x 15mm	Black laminate on front side only.
1	Rear Toeboard	419 x 80 x 15mm	Plain
2	LH Drawer Sides	340 x 160 x 12mm	Plain
2	RH Drawer Sides	340 x 160 x 12mm	Plain
2	Drawer Backs	369 x 155 x 12mm	Plain
2	Drawer Bottoms	379 x 339 x 4mm	Plain
1	Back Panel	462 x 439 x 4mm	Plain

HARDWARE LIST

QTY	PART	CODE	
12	Connecting Bolts	H1	
8	15mm Metal Cams.	H2	
4	12mm Metal Cams.	H3	
8	Drawer Slide Screws	H4	
8	Small Woodscrews	H6	
8	31mm Wood screws	H9	
12	Large Dowels	H15	
2	Metal drawer slides sets	H21	
4	Nail on Glides	H37	
1	Bag of small Nails	H27	
2	Handles	H43	

COLOUR CODING

To help identify the parts, the main components are colour coded with a pen mark on the back edge of the panel. (The edge without any laminate on it.)

- **RED** **Right Hand Parts.** (E.g. RH End, RH Division, RH Drawer Side.)
- **GREEN** **Left Hand Parts.** (E.g. LH End, LH Division, LH Drawer Side.)
- **BLUE** **Tops**
- **PURPLE** **Bases**

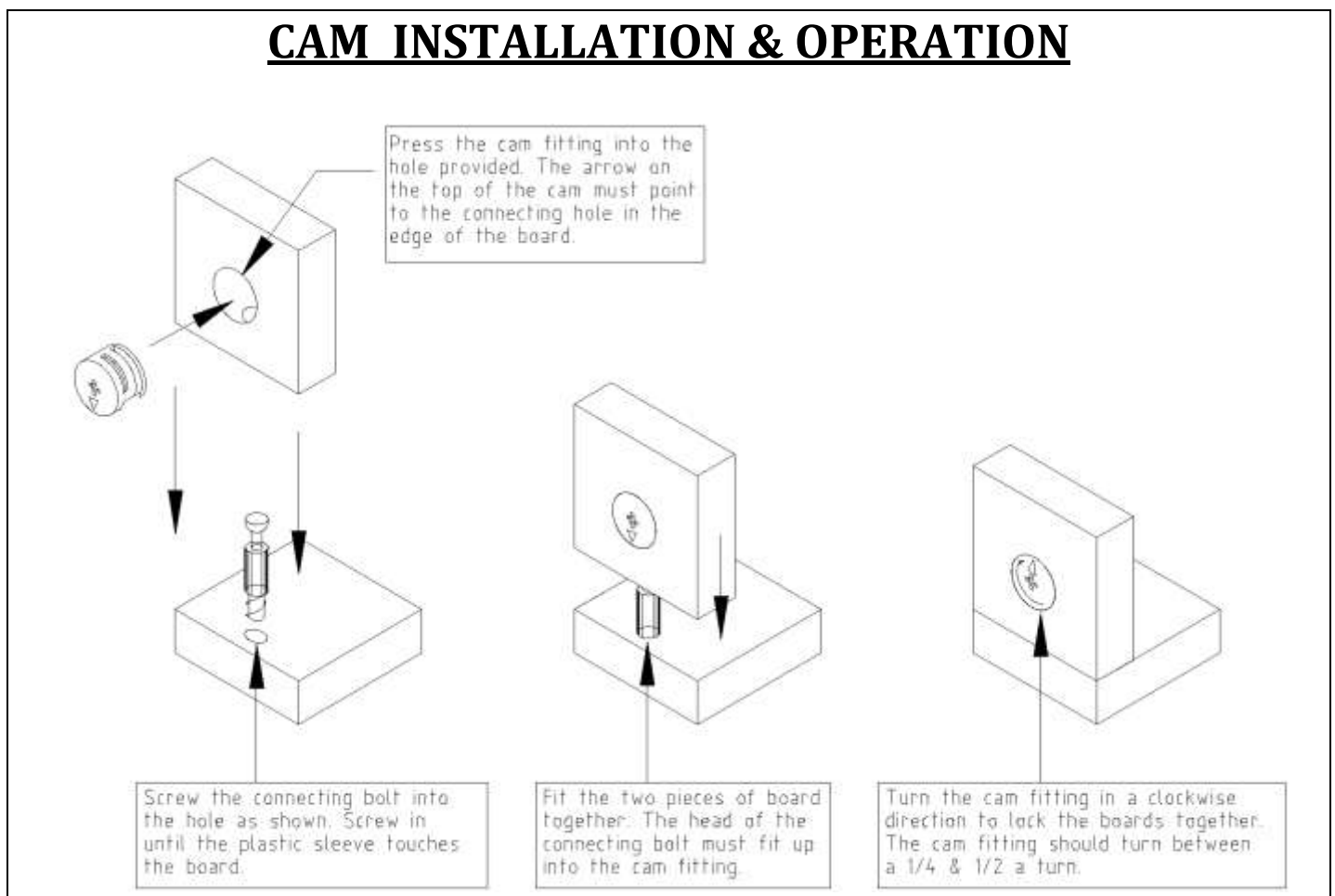
5 YEAR WARRANTY.

This furniture carries a **5 year warranty** against defective material or workmanship, excluding misuse and normal wear and tear. Obviously, as this unit is customer-assembled we cannot guarantee cabinet failure or damage from incorrect assembly. **All claims need proof of purchase – to ensure this register @ www.warehousefurniture.co.nz.**

Follow the assembly instructions carefully and take note of the precautions below.

- **Avoid direct sunlight wherever possible.**
- **Keep cabinet in a dry place.**
- **Wipe off spilt liquids immediately.**
- **Avoid placing hot items directly on the surface.**
- **Clean with a soft cloth and a mild polish.**
- **Do not allow nail polish, removers, deodorant etc. to come into contact with the surface.**

CAM INSTALLATION & OPERATION



DRAWER SLIDES

Your pack will contain two sets of Metal Drawer Slides. These are bundled together with adhesive tape. Each set comprises of 4 components. Undo the tape on one set at a time and separate the parts.



LEFT HAND PART (**DL**)



RIGHT HAND PART (**DR**)

The Drawer Slide components shown above are attached to the **drawers**. They have the letters **DR** or **DL** stamped on them to indicate left hand or right hand components. Put these parts aside for attaching to the drawers later on.

Use these holes



LEFT HAND PART (**CL**)

RIGHT HAND PART (**CR**)

The Drawer Slide components shown above are to be attached to the **cabinet**. They have letters **CR** or **CL** stamped on them to indicate left hand or right hand components.



H4 Drawer Slide Screw

INSTALL THE HARDWARE

STEP 1

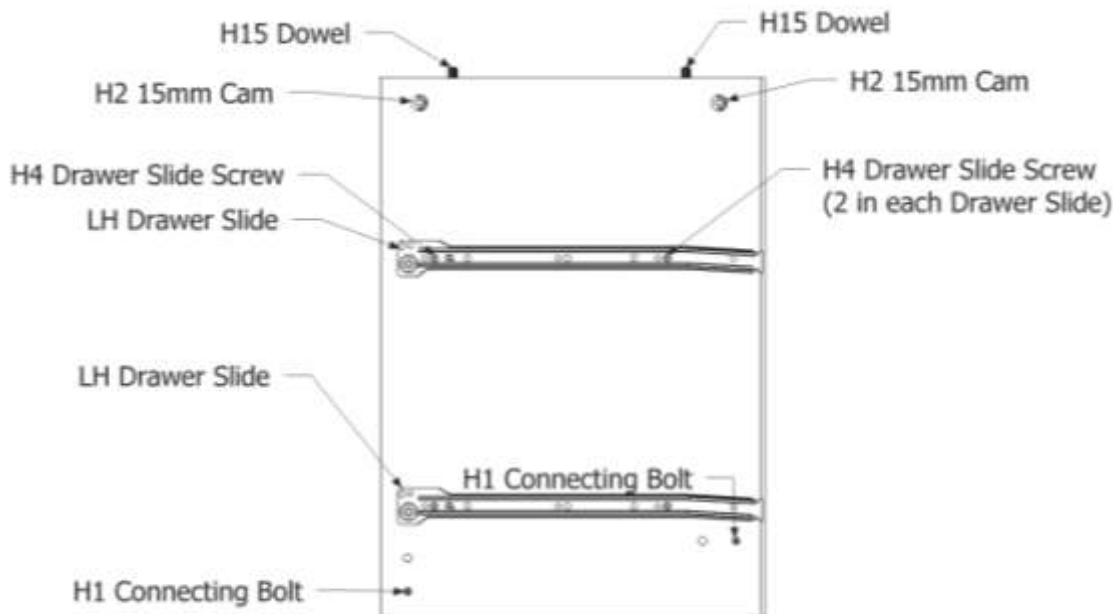
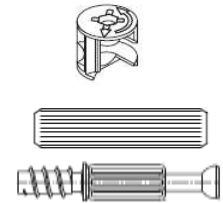
Take the LH End and lay it on a clean, clear surface with the holes facing upwards.

Take the two LH cabinet drawer slide (**CL**) and screw it to the LH End using the **H4 Drawer Slide Screws**. Use the holes as indicated in the diagram on the previous step.

Insert two **H2 15mm Cams** as indicated. Make sure the arrow on top of the cam points towards the top edge of the End.

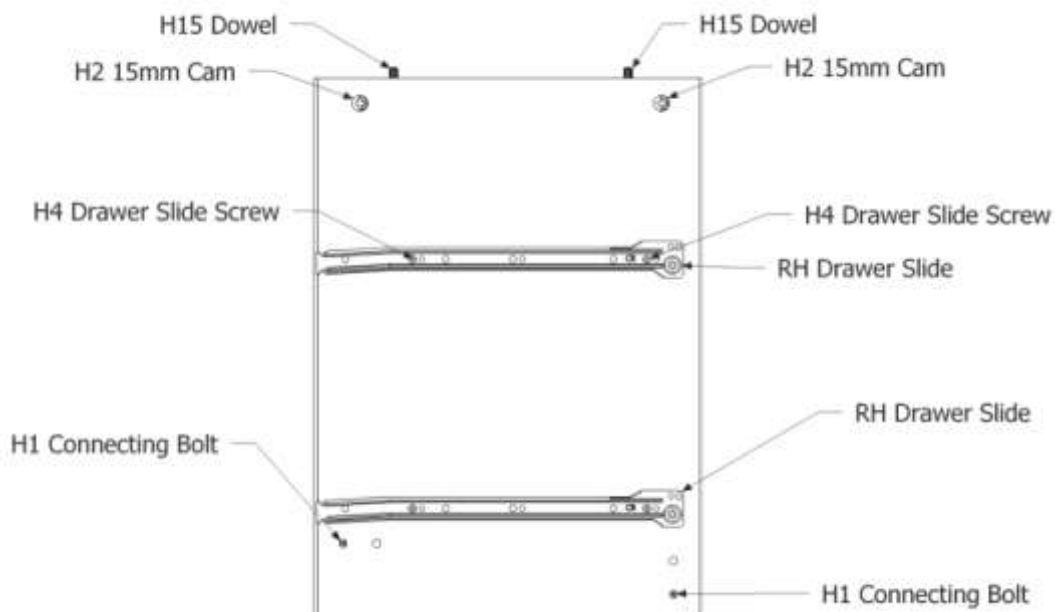
Push two **H15 Dowels** into the top edge of the End.

Screw two **H1 Connecting Bolts** into the holes as indicated below.



STEP 2

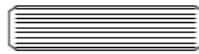
Repeat previous step with the right hand End. Use the CR Cabinet Drawer Slides.



STEP 3

Take the Front and Rear Toeboard. These are exactly the same size and drilling – the Front Toeboard is laminated on the front side.

Install two **H2 15mm Cams** and two **H15 Dowels** as shown below.

**H15****H2****(x 2)****STEP 4**

Take the Top and lay it laminate side down on a clean, clear surface.

Screw four **H1 Connecting Bolts** into the holes as indicated below.



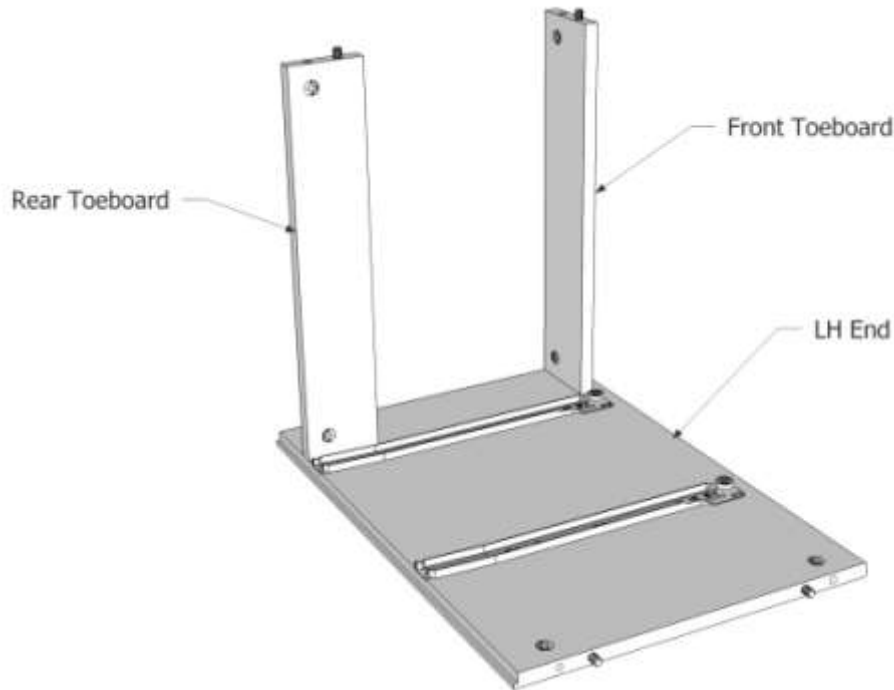
ASSEMBLE THE BEDSIDE

STEP 1

Take the LH End and lay it on a clean, clear surface.

Fit the Toeboards into place over the Connecting Bolt as shown below. Ensure the laminated side on the Front Toeboard is facing outwards so that the cams can't be seen once the cabinet is completed.

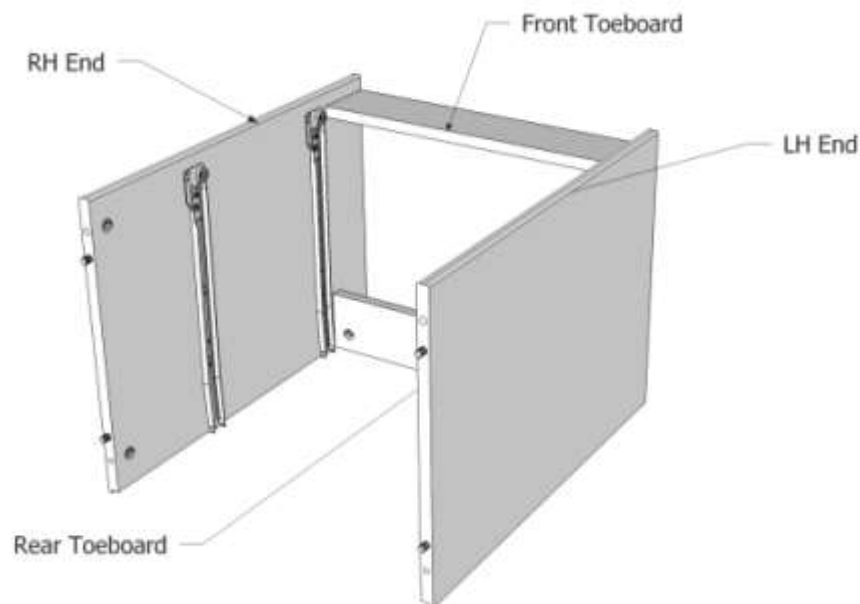
Lock the Toeboards to the LH End by tightening the Cams in a clockwise direction. Turn it onto its back edge.



STEP 2

Fit the RH End onto the Toeboards by fitting the Connecting Bolts installed in the RH End up into the Cams.

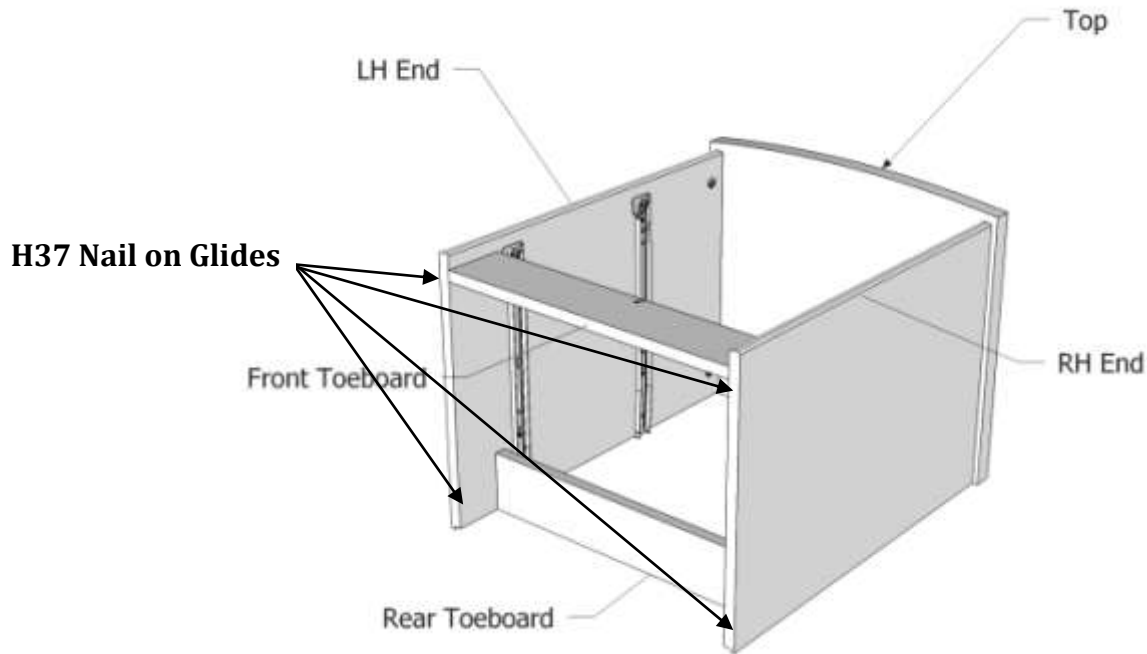
Tighten both Cams on the Toeboards by using a screw driver turn the Cams in a clockwise direction until they feel tight (they should turn at least $\frac{1}{4}$ of a turn).



STEP 3

Slide the Top in place by fitting the four Connecting Bolts installed in the Top down into the Cams installed in the LH and RH Ends. Tighten the four Cams to lock the Top to the Ends.

Tap the four **H37 Nail on Glides** into bottom of the Ends as indicated below. Space them about 20mm in from the front and back edges.

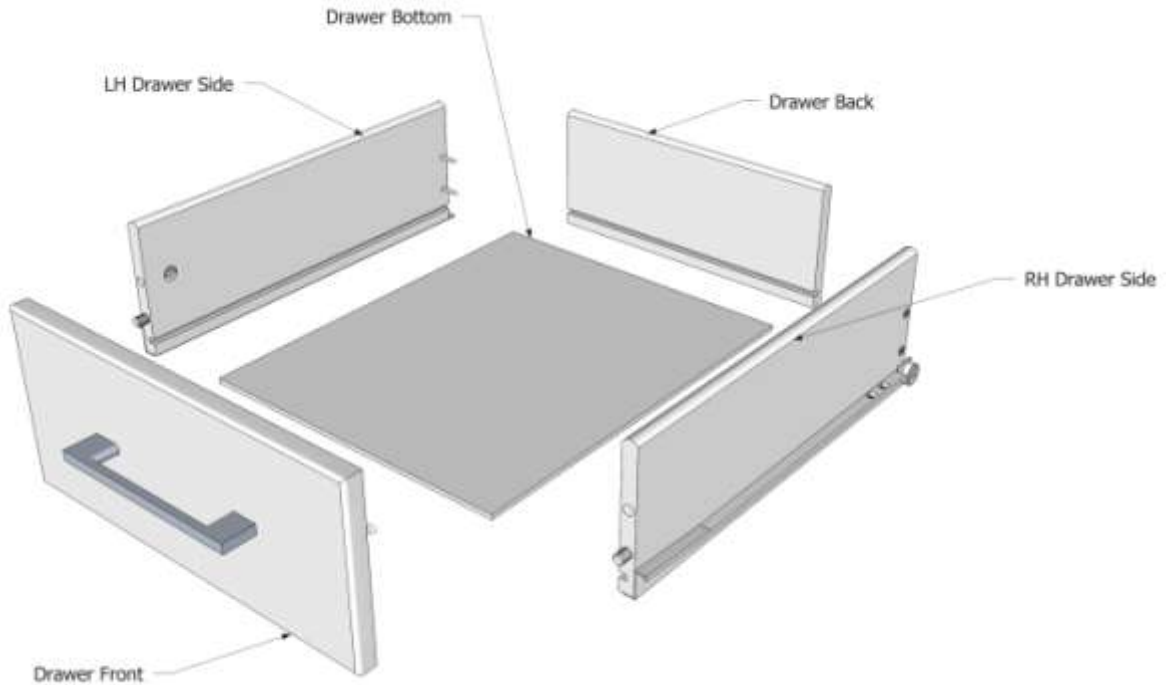
**STEP 4**

Carefully lay the bedside on its front edge. Using the **H27 Small Nails** attach the Back Panel into place. Making sure that the Nails are going into the back edge of the Top and LH and RH Sides. Space the nails about 100mm apart. Stand the Bedside upright.



ASSEMBLE THE DRAWERS

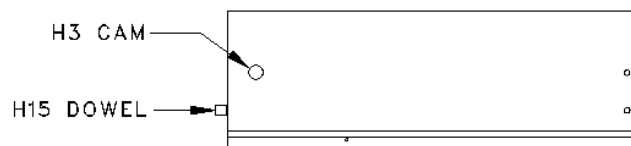
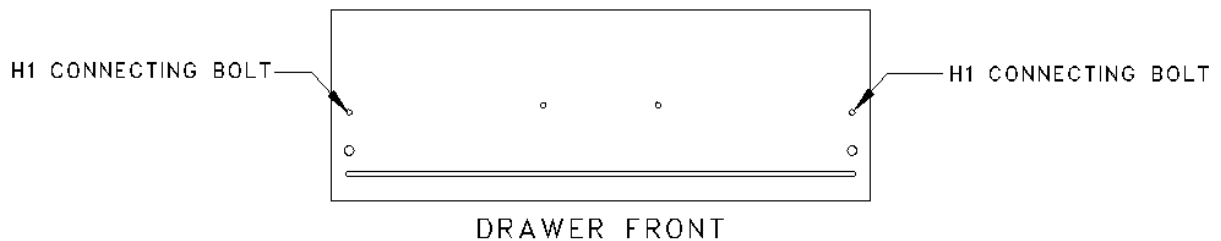
Your Bedside has two drawers – one narrower top drawer and one deeper bottom drawer. Both drawers are constructed in the same way.



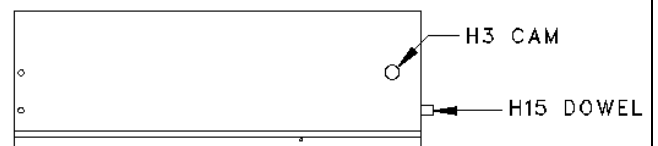
STEP 1.

Install the hardware as shown below.

Note: Be sure that the arrow on the Metal Cam points to the end of the drawer side nearest it.



LH DRAWER SIDES



RH DRAWER SIDES



H15 Dowel



H3 Cam



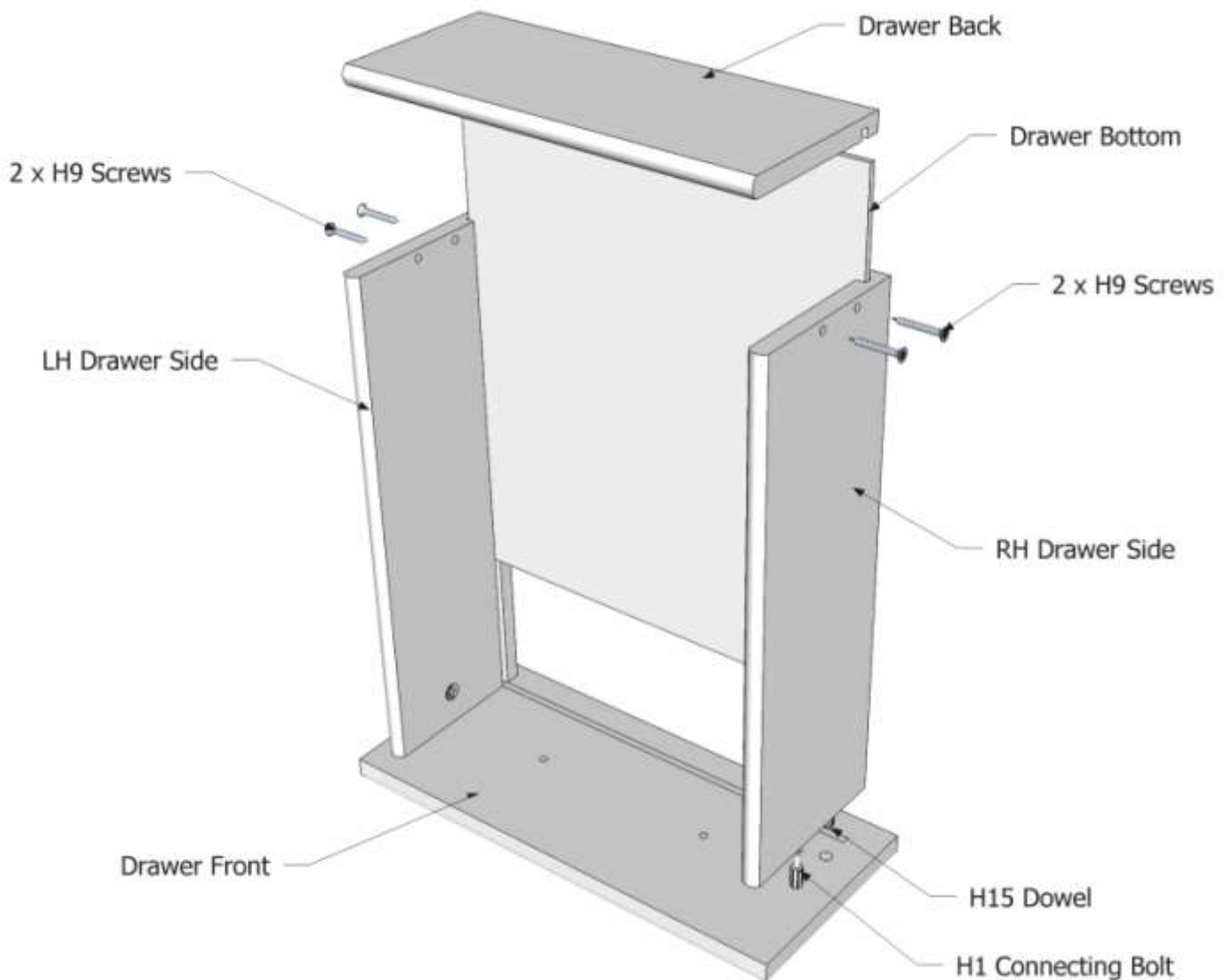
H1 Connecting Bolt

STEP 2.

Lay the Drawer Front face down on a smooth, clean surface.

Attach the LH and RH Drawer Side by fitting them down into place over the Connecting Bolts installed in the Drawer Front. Turn the Metal Cams clockwise to lock the Drawer Sides in place.

Next slide the Drawer Bottom into place in the grooves in the Drawer Sides and Drawer Front. Fit the Drawer Back into place between the Drawer Sides and secure with four **H9 Screws** as shown below.

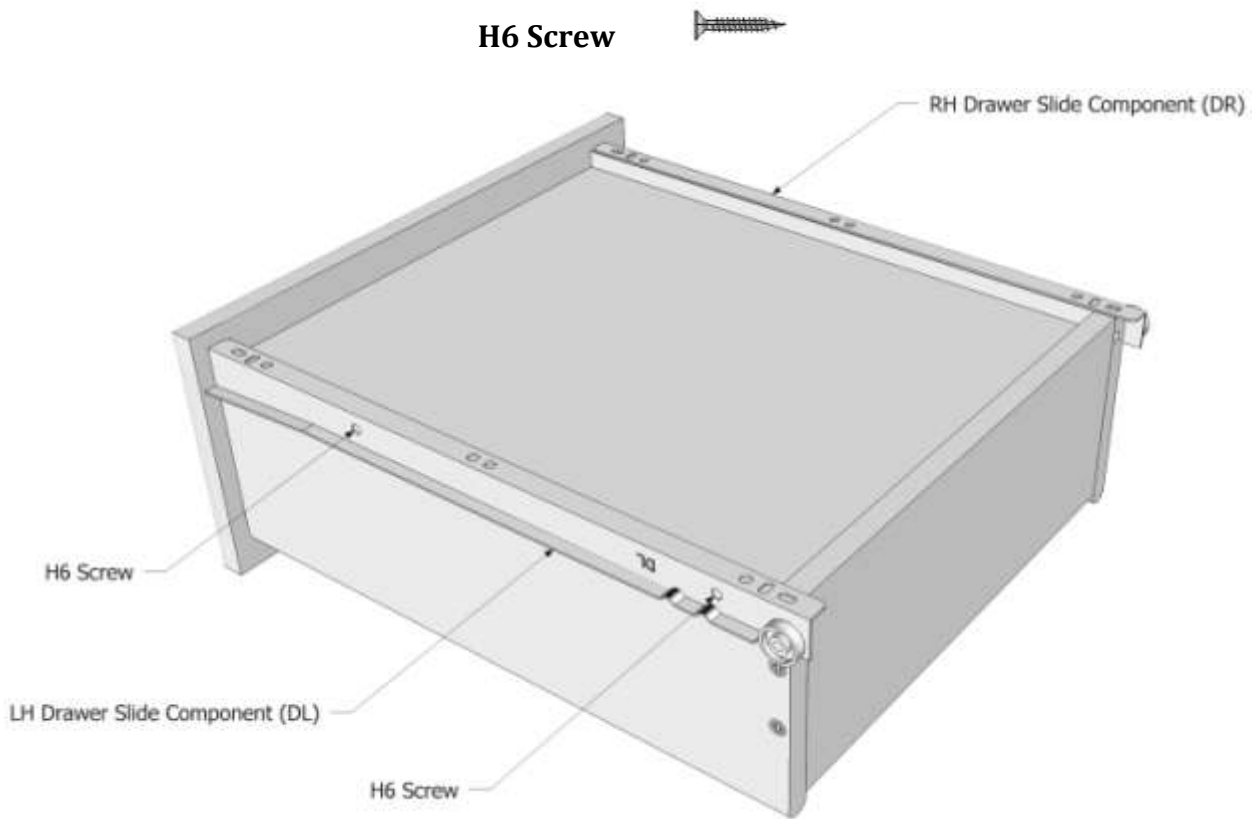


H9 Screw x 4



STEP 3.

Turn the drawer upside-down as shown and attach the Drawer Slides (**DR** and **DL**) with the four **H6 Screws** as shown below. Each slide requires two screws.

**STEP 4.**

Attach the Drawer Handle to the Drawer Front using the screws provided.

Fit the drawers into the Bedside. Make sure that the rollers at the back of the drawer go behind the front rollers in the cabinet and into the channel of the drawer slide. It helps to lift the front of the drawer up a little when doing this.



CONGRATULATIONS, YOUR *EPSOM 2 DRAWER BEDSIDE* IS NOW COMPLETE. ☺
TO ENSURE YOUR WARRANTY REGISTER @ www.warehousefurniture.co.nz
THANK-YOU FOR SUPPORTING NEW ZEALAND MADE FURNITURE