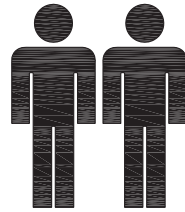


# LIVING & CO MADRID STORAGE SHELF 9 CUBE

**60 MIN**

APPROXIMATE ASSEMBLY TIME

2 PERSON ASSEMBLY

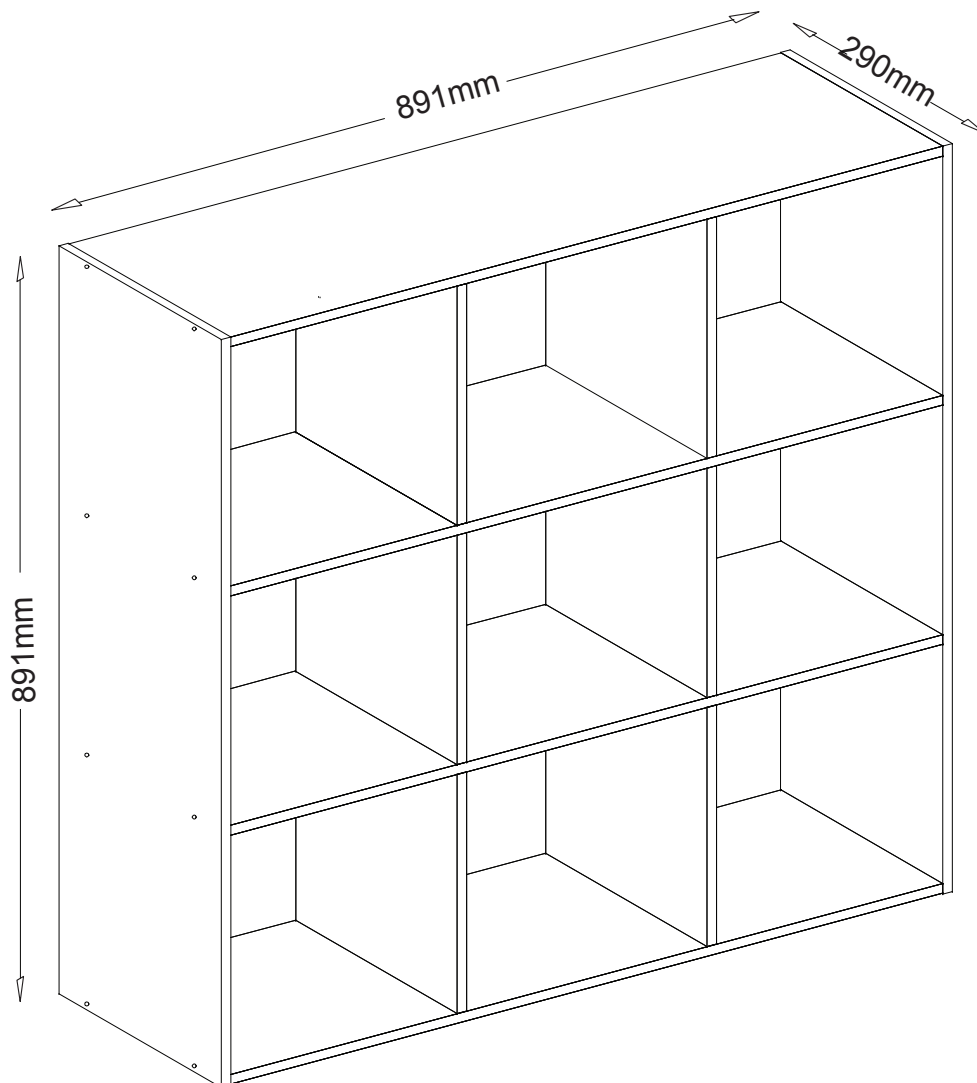


FLOOR AREA  
3.0M x 3.0M



REQUIRED ASSEMBLY SPACE

## ASSEMBLED DIMENSIONS



MAX WEIGHT: 10 KG/PER SHELF

1 / 7

BARCODE:9333527404497  
9333527404817

# LIVING & CO MADRID STORAGE SHELF 9 CUBE

## Tips before you start:

1. Please check that all parts are present before you start the assembly of your furniture.
2. For ease and speed of assembly, we recommend that before you commence each step of the assembly, that you identify all the parts required for that step.
3. For larger items, please ensure that you have sufficient space and people (as indicated on page 1) to assemble your product safely.
4. We recommend that, where possible, all items are assembled near to the area in which they will be placed in use, to avoid moving the product unnecessarily once assembled.
5. For the protection of your furniture, we recommend that the product is placed on a protected surface during assembly to prevent any damage.
6. During assembly please take care not to over-tighten any fittings, as this may damage the product.
7. Always place the product on a flat, steady and stable surface.
8. Do not stand on the product. Do not use the product as a stepladder.
9. This product is intended for indoor, household use only as it is a non-industrial product.

## Care and Maintenance of your Furniture

- Please periodically check all fittings and re-tighten as necessary.
- To clean your item, please use a damp cloth and wipe clean.
- Never allow any kind of liquid to remain on your furniture. Absorption can cause wood to warp or finishes to de-laminate.
- Please do not place hot items (eg. Hot drinks) directly on to the surface.
- Please do not drag and pull your furniture.

## WARNING

We recommend you to fix the furniture to the wall with the enclosed safety straps to prevent it from tipping over if a child climbs or hangs on it. Different wall materials require different types of fixing devices, if you are uncertain about what type of screw or fitting to use, please contact your local hardware store.

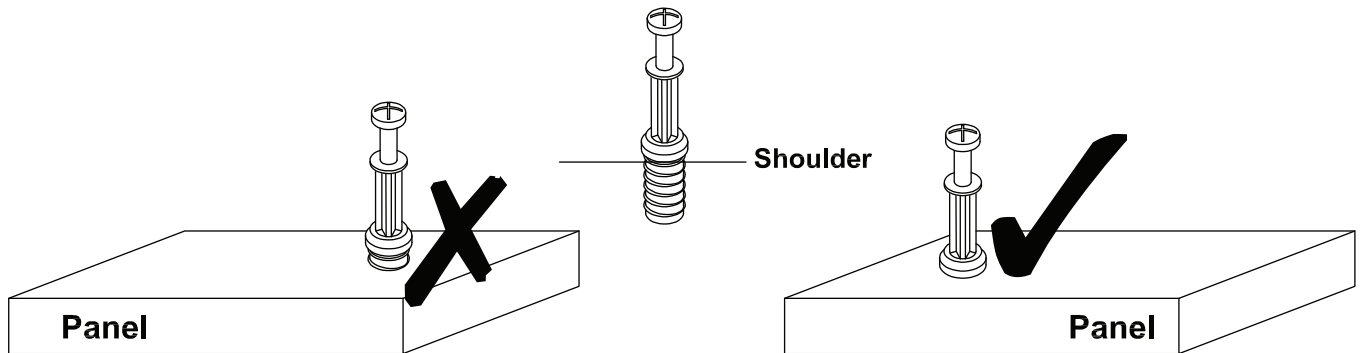
It is undesirable to place objects of interest to children in view on this type of furniture item, as children may be tempted to climb to retrieve the objects the result that the furniture item may tip and cause injury or death.

Furniture items can tip under certain circumstances, especially when placed on carpet, uneven or sloping flooring or when subject to extreme use. Therefore care must be taken especially where small children can access any chests of drawers or bookcases or similar furniture items.

# LIVING & CO MADRID STORAGE SHELF 9 CUBE

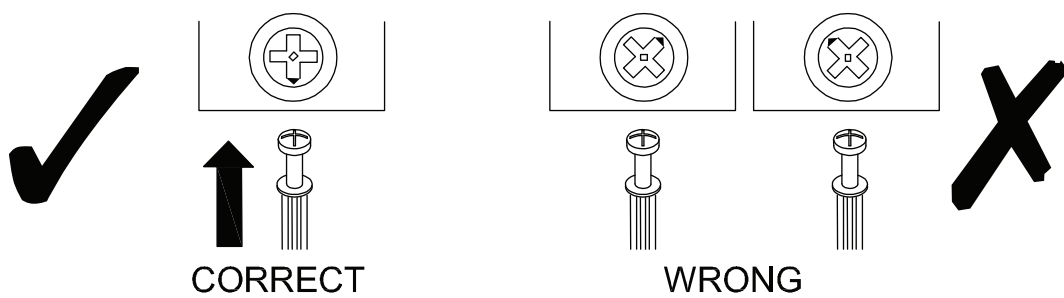
Tips before you start:

## QUICKFIT



Tighten quickfit until shoulder is flush with panel. Do not overtighten or undertighten.

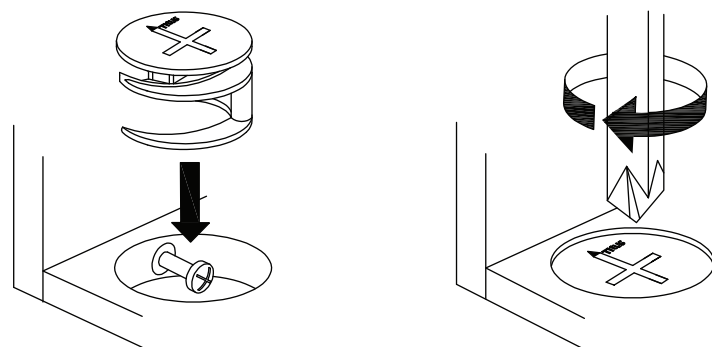
## CAM LOCK



When fitting cam lock, ensure starting position is correct before you insert connecting quickfit.

Quickfit head should be in the centre of the cam lock when the two panels are joined.

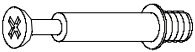





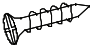

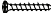



Cam lock should be inserted before quickfit.



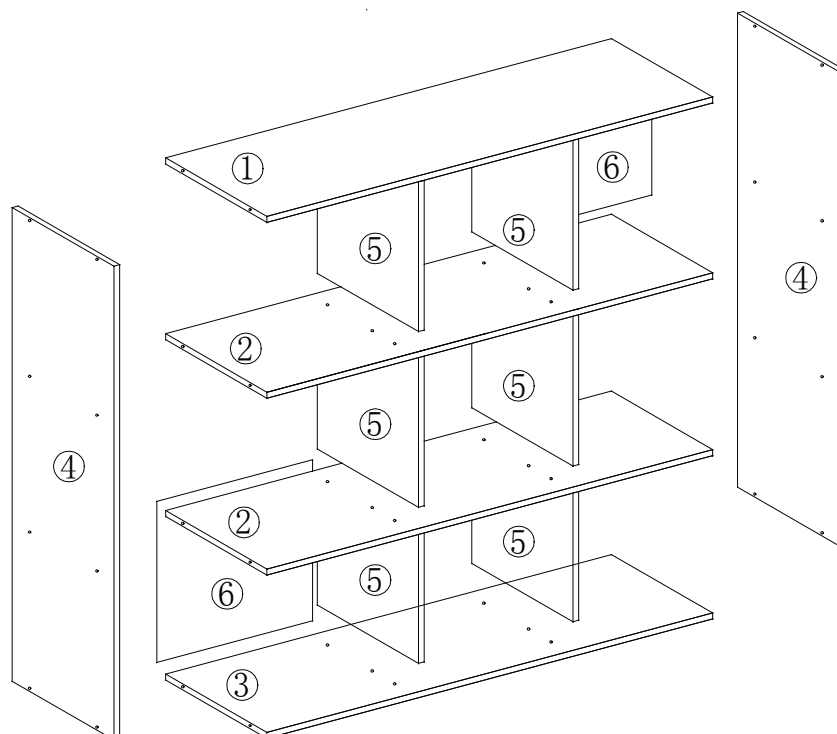
Turn cam lock clockwise to tighten.

# LIVING & CO MADRID STORAGE SHELF 9 CUBE

## HARDWARE LIST

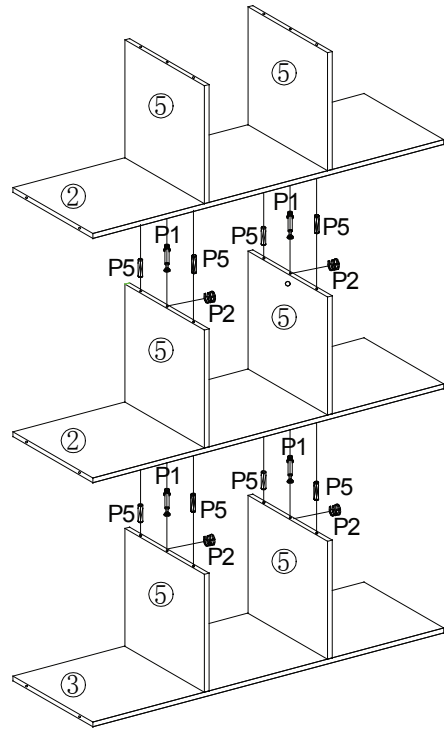
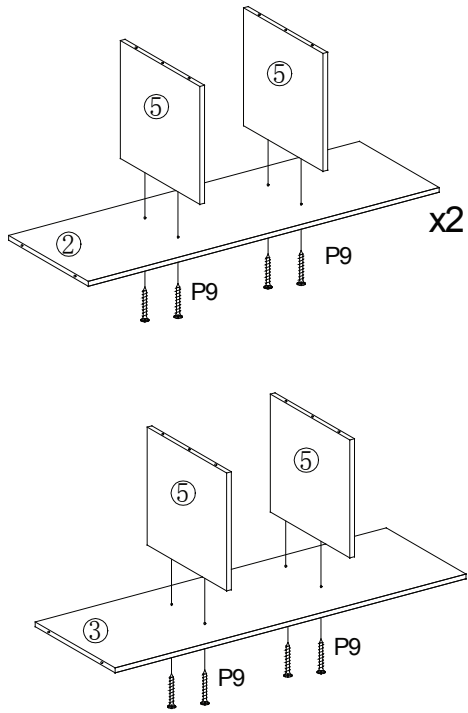
P1 X6 	P2 X6 	P3 X16 	P4 X16 	P5 X12  M5.8x30mm
P6 X2 	P7 X2  M3.5x12mm	P8 X4 	P9 X30  M4X35mm	P10 X2 
Tools required  Phillips screwdriver		 Hammer		

## PARTS LIST

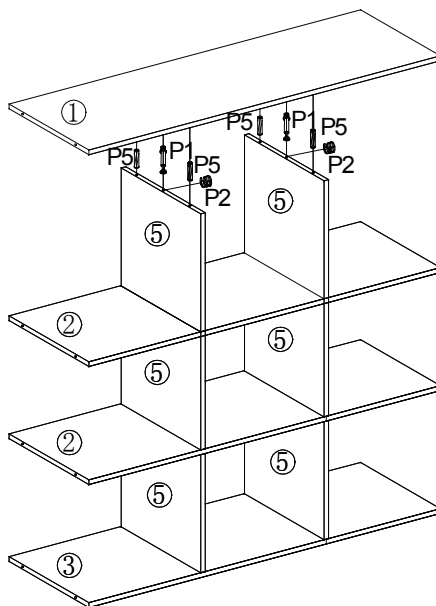


# LIVING & CO MADRID STORAGE SHELF 9 CUBE

## STEP 1

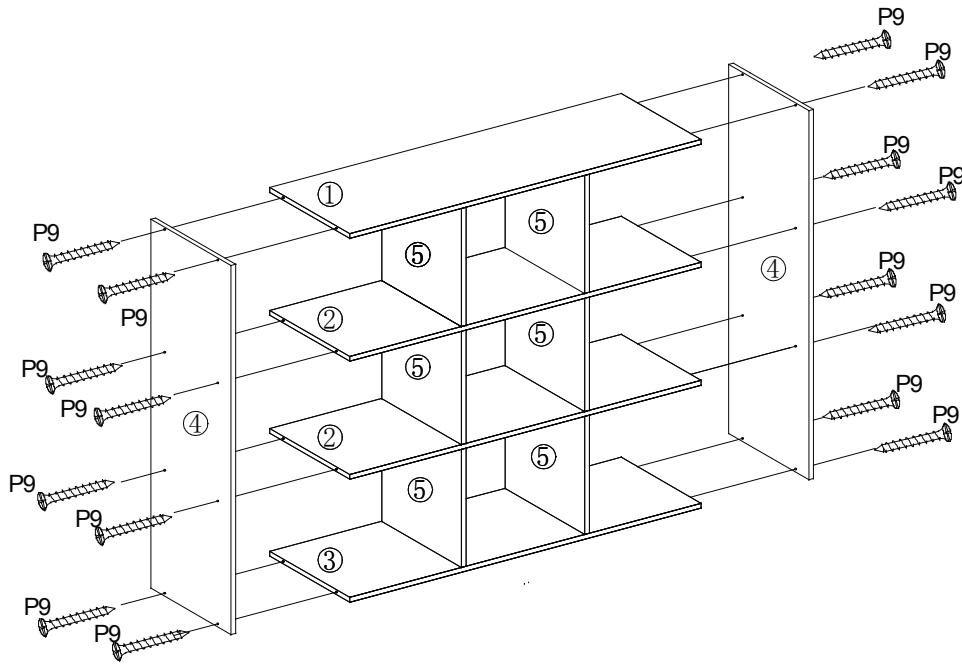


## STEP 2

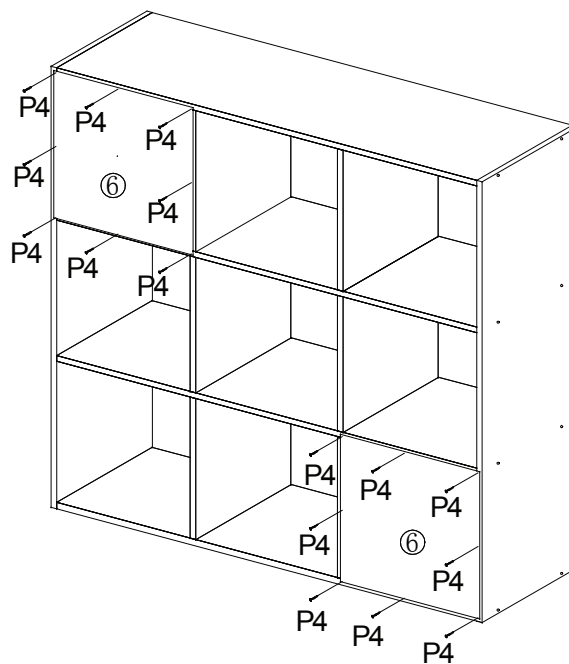


# LIVING & CO MADRID STORAGE SHELF 9 CUBE

## STEP 3

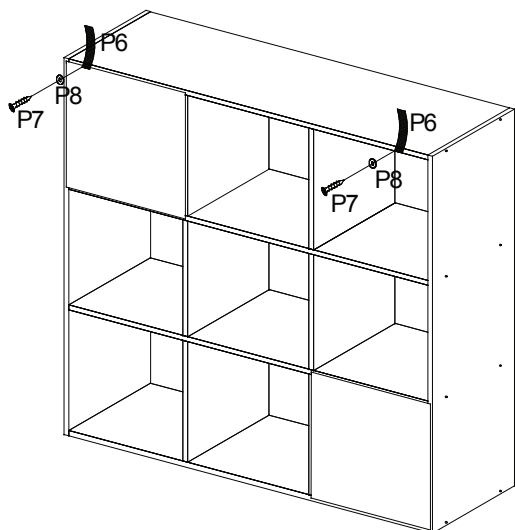


## STEP 4

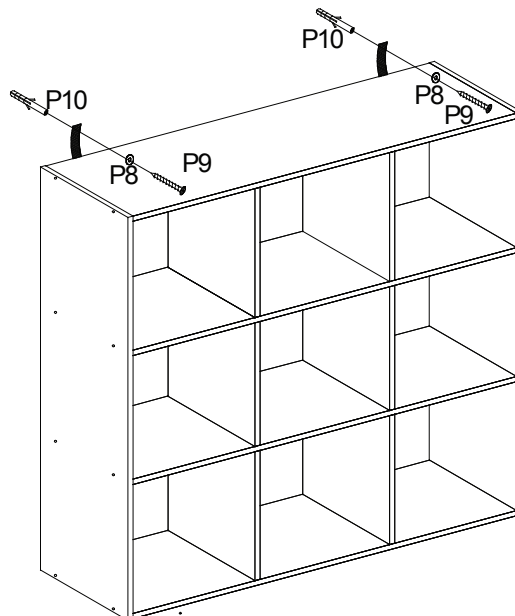
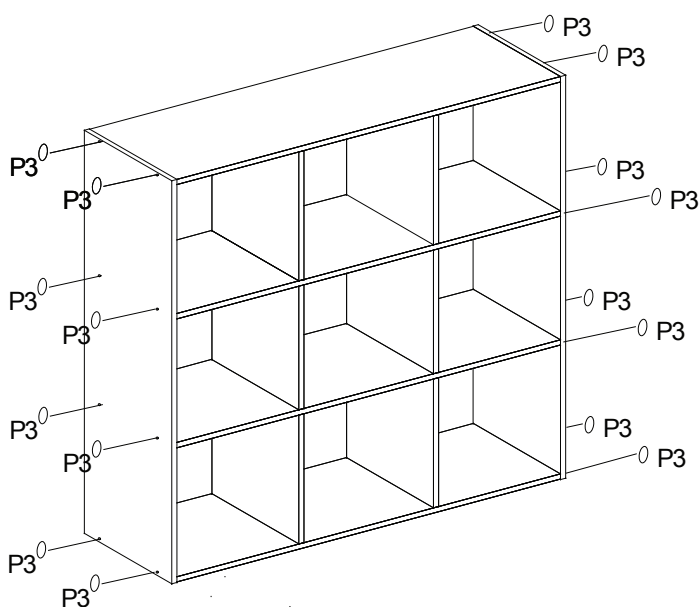


# LIVING & CO MADRID STORAGE SHELF 9 CUBE

## STEP 5



## STEP 6



YOUR FURNITURE IS READY FOR USE