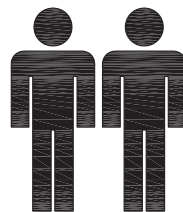


# LIVING&CO MADRID COFFEE TABLE

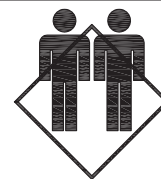
60 MIN

APPROXIMATE ASSEMBLY TIME

2 PERSON ASSEMBLY

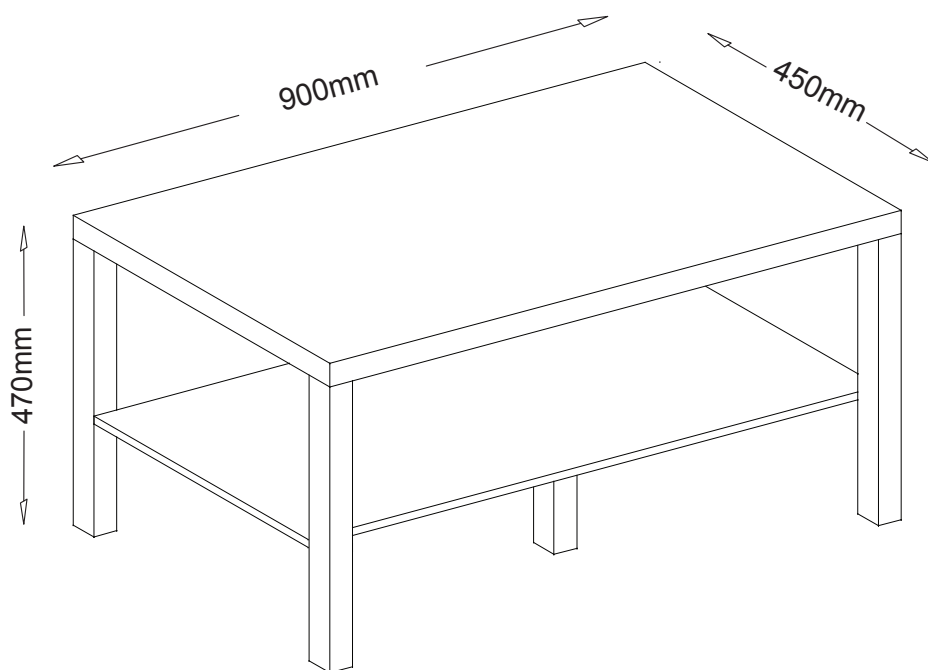


FLOOR AREA  
3.0M x 3.0M



REQUIRED ASSEMBLY SPACE

## ASSEMBLED DIMENSIONS



MAX WEIGHT: 50KG

1 / 4

BARCODE:9333527340689

# LIVING&CO MADRID COFFEE TABLE

## **Tips before you start:**

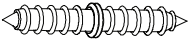
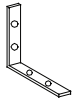
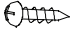
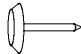
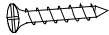




1. Please check that all parts are present before you start the assembly of your furniture.
2. For ease and speed of assembly, we recommend that before you commence each step of the assembly, that you identify all the parts required for that step.
3. For larger items, please ensure that you have sufficient space and people (as indicated on page 1) to assemble your product safely.
4. We recommend that, where possible, all items are assembled near to the area in which they will be placed in use, to avoid moving the product unnecessarily once assembled.
5. For the protection of your furniture, we recommend that the product is placed on a protected surface during assembly to prevent any damage.
6. During assembly please take care not to over-tighten any fittings, as this may damage the product.
7. Always place the product on a flat, steady and stable surface.
8. Do not stand on the product. Do not use the product as a stepladder.
9. This product is intended for indoor, household use only as it is non industrial product.
10. Due to the painted finish of this product, when first opening the carton and assembling, the smell of paint may be noticeable. If there is any smell of paint it will dissipate over a short period of time. The paint is non-toxic and contains no lead. Please contact your nearest The Warehouse store if you have any concerns.

## **Care and Maintenance of your Furniture**

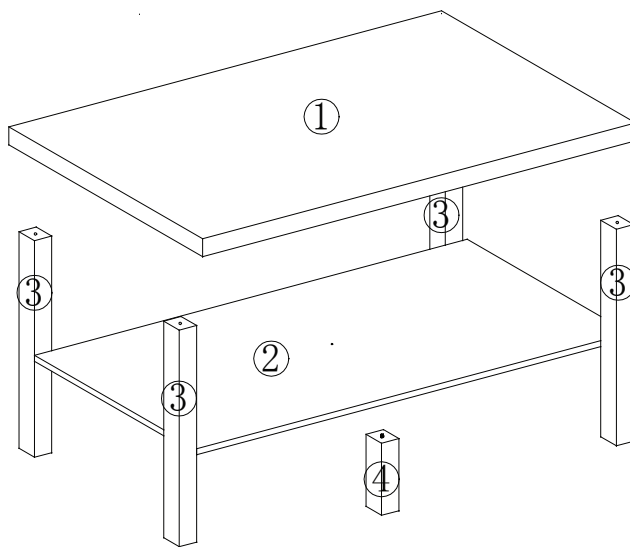
- ☒ Please periodically check all fittings and re-tighten as necessary.
- ☒ To clean your item, please use a damp cloth and wipe clean.
- ☒ Never allow any kind of liquid to remain on your furniture. Absorption can cause wood to warp or finishes to de-laminate.
- ☒ Please do not place hot items (eg. Hot drinks) directly on to the surface.
- ☒ Please do not drag and pull your furniture.

# LIVING&CO MADRID COFFEE TABLE

## HARDWARE LIST

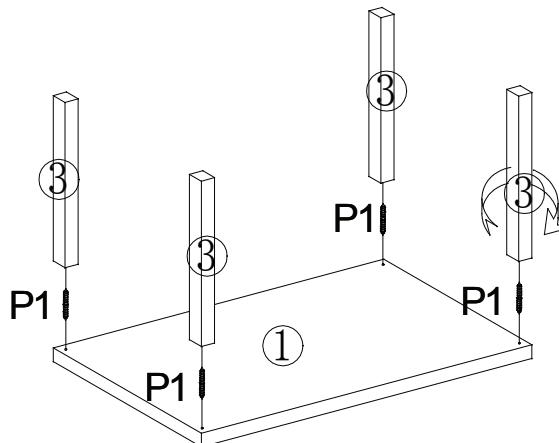
<p>P1X4</p> 	<p>P2X4</p> 	<p>P3X16</p>  <p>M4x12mm</p>	<p>P4X5</p> 	<p>P5X1</p>  <p>M4x35mm</p>
<p>Tools required</p>   <p>Phillips screwdriver</p>   <p>Hammer</p>				

## PARTS LIST



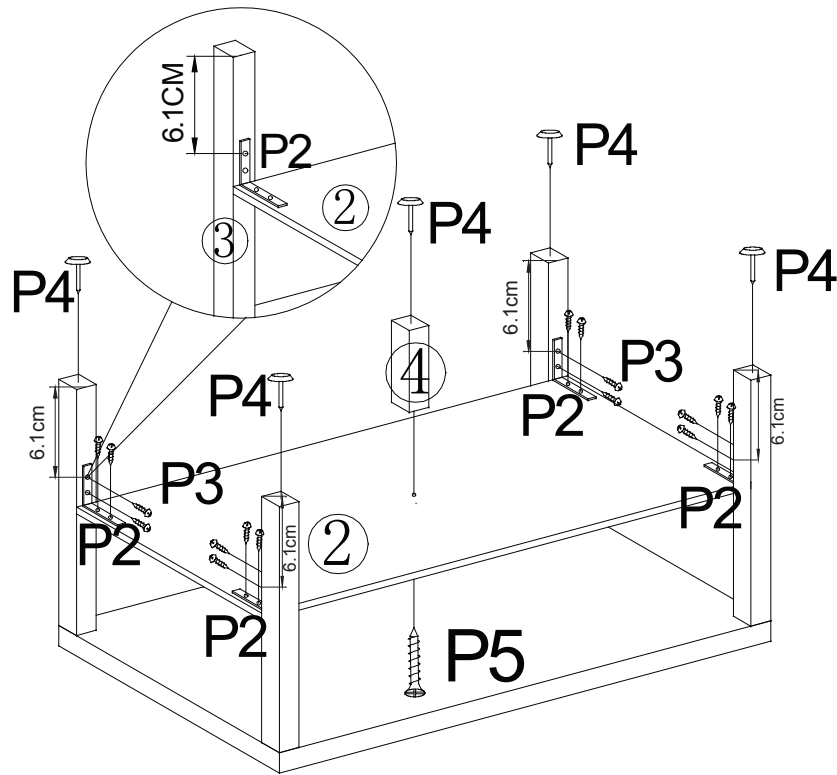
## STEP 1

1

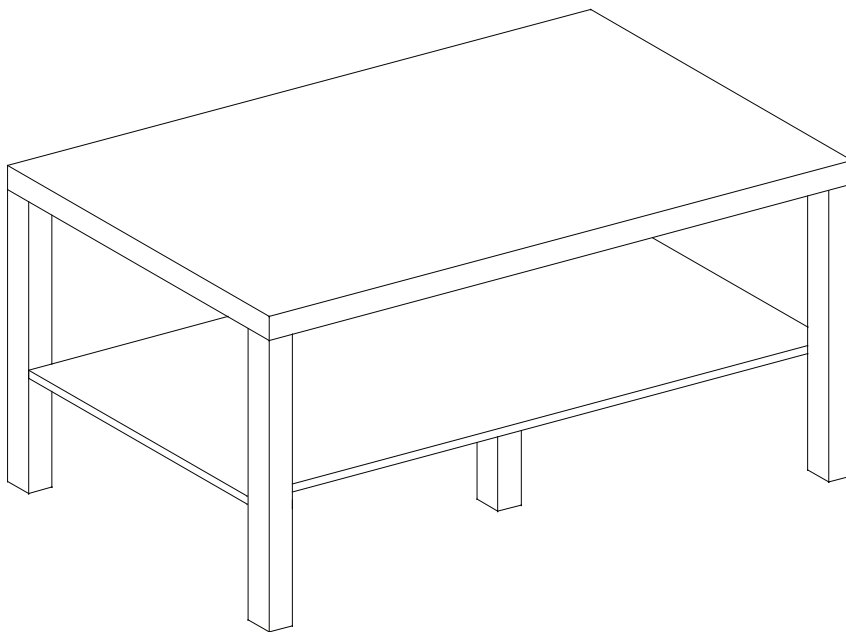


# LIVING&CO MADRID COFFEE TABLE

2



3



YOUR FURNITURE IS READY FOR USE