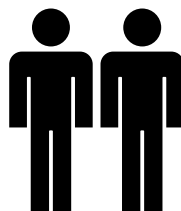


Glacier Multi Purpose Bookcase

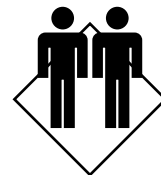
1.0hr

APPROXIMATE ASSEMBLY TIME

2 PERSON ASSEMBLY

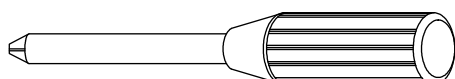


FLOOR AREA
2M x 2M

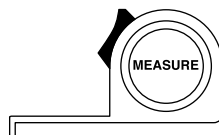


REQUIRED ASSEMBLY SPACE

REQUIRED ASSEMBLY TOOLS

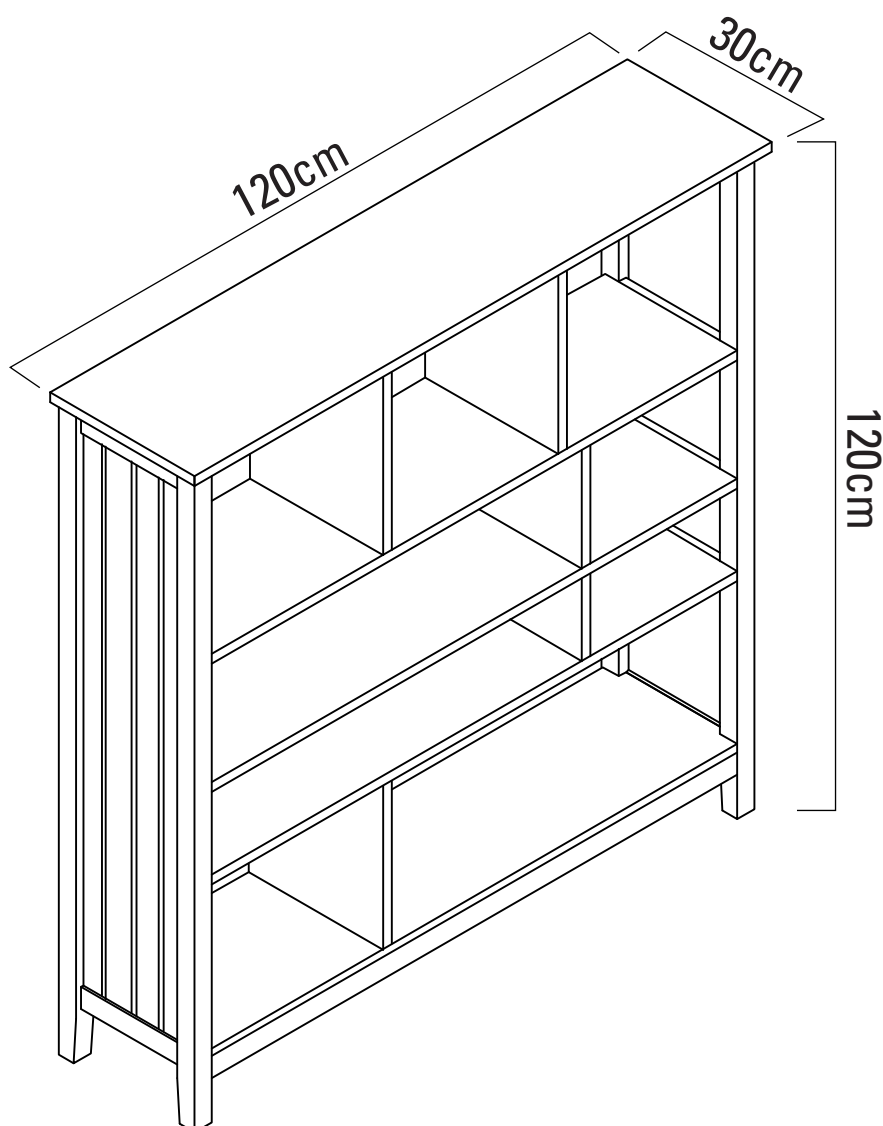


PHILLIPS SCREWDRIVER



MEASURING TAPE

ASSEMBLED DIMENSIONS



Glacier Multi Purpose Bookcase

Tips before you start:

1. Please check that all parts are present before you start the assembly of your furniture.
2. For ease and speed of assembly, we recommend that before you commence each step of the assembly, that you identify all the parts required for that step.
3. For larger items, please ensure that you have sufficient space and people (as indicated on page 1) to assemble your product safely.
4. We recommend that, where possible, all items are assembled near to the area in which they will be placed in use, to avoid moving the product unnecessarily once assembled.
5. For the protection of your furniture, we recommend that the product is placed on a protected surface during assembly to prevent any damage.
6. During assembly please take care not to over-tighten any fittings, as this may damage the product.
7. Always place the product on a flat, steady and stable surface.
8. Do not stand on the product. Do not use the product as a stepladder.
9. This product is intended for indoor, household use only as it is non industrial product.
10. Due to the painted finish of this product, when first opening the carton and assembling, the smell of paint may be noticeable. If there is any smell of paint it will dissipate over a short period of time. The paint is non-toxic and contains no lead. Please contact your nearest The Warehouse store if you have any concerns.

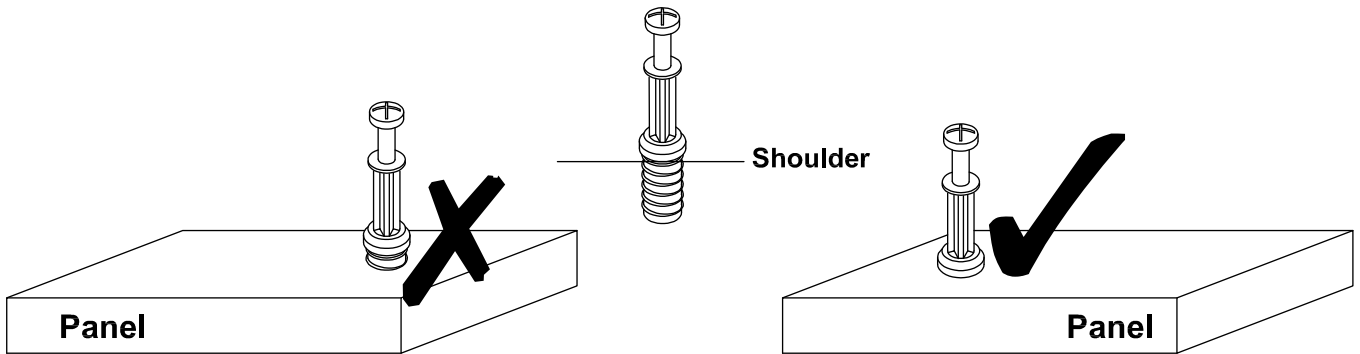
Care and Maintenance of your Furniture

- Please periodically check all fittings and re-tighten as necessary.
- To clean your item, please use a damp cloth and wipe clean.
- Never allow any kind of liquid to remain on your furniture. Absorption can cause wood to warp or finishes to de-laminate.
- Please do not place hot items (eg. Hot drinks) directly on to the surface.
- Please do not drag and pull your furniture.

Glacier Multi Purpose Bookcase

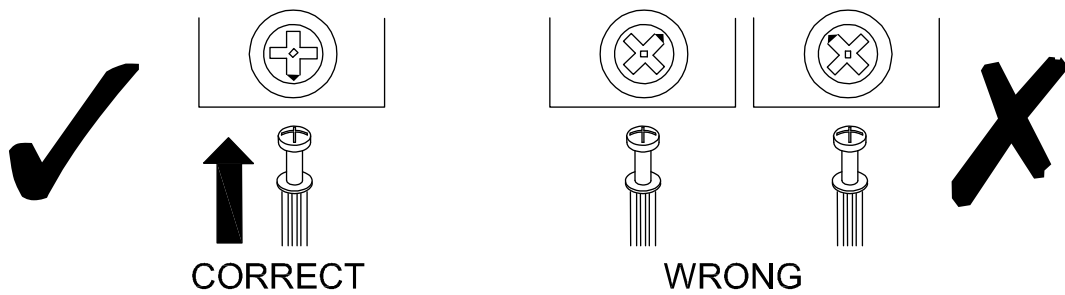
Tips before you start:

QUICKFIT



Tighten quickfit until shoulder is flush with panel. Do not overtighten or undertighten.

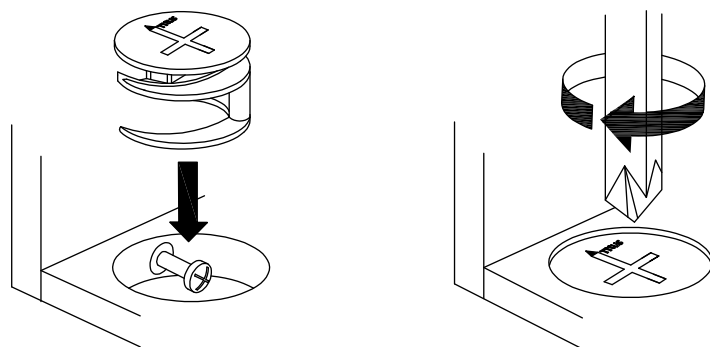
CAM LOCK



When fitting cam lock, ensure starting position is correct before you insert connecting quickfit.

Quickfit head should be in the centre of the cam lock when the two panels are joined.

Cam lock should be inserted before quickfit.



Turn cam lock clockwise to tighten.

Glacier Multi Purpose Bookcase

HARDWARE LIST



32x
A
Quickfit Screw



32x
B
Large Cam Lock



12x
C
Wooden Dowel



46x
D
Screw



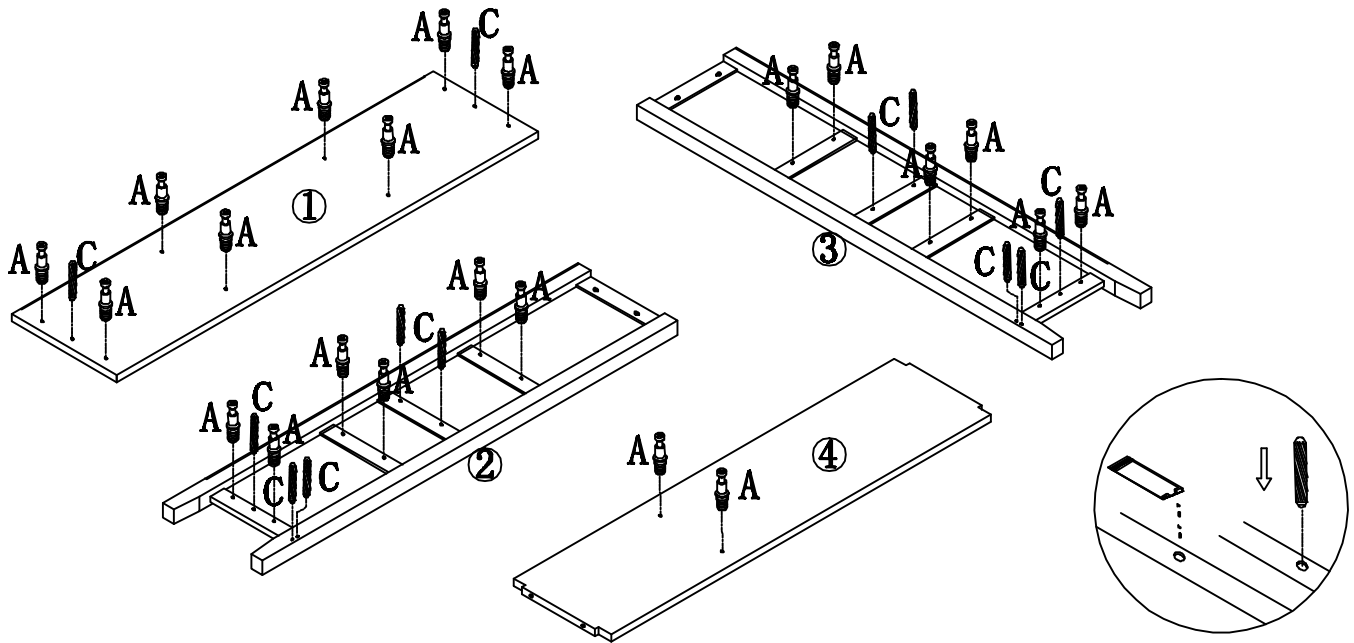
1x
E
Wood Glue

PARTS LIST

1 1PC	2 1PC	3 1PC	4 1PC
5 1PC	6 1PC	7 1PC	8 3PCS
9 1PC	10 2PCS	11 2PCS	12 1PC

Glacier Multi Purpose Bookcase

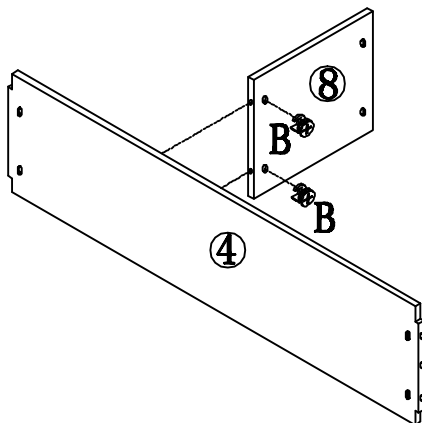
STEP 1



Carefully fix quickfit screws (A) to panels 1, 2, 3, 4.
Insert wooden dowels (C) to panels 1, 2 and 3 using a small dot of wood glue to secure.

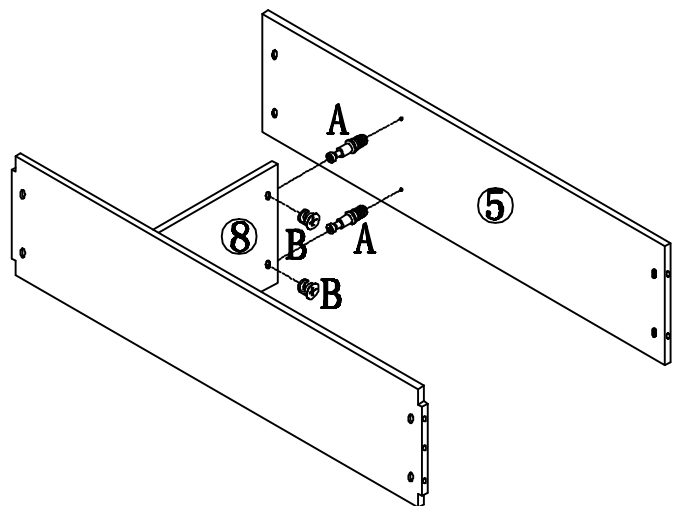
STEP 2

2.1



Insert cam locks (B) to panel 8.
Push panel 8 onto panel 4.
Turn cam locks clockwise to tighten.

2.2

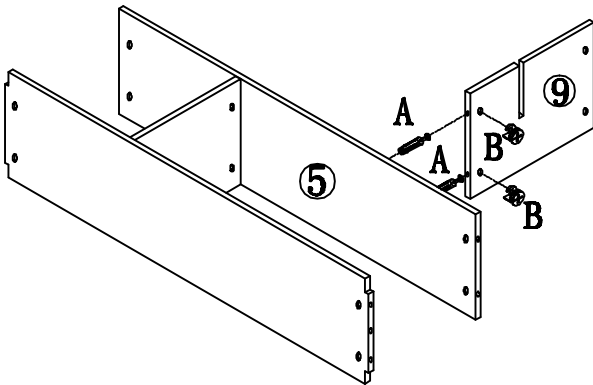


Insert cam locks (B) to panel 8.
Push panel 5 onto panel 8.
Turn cam locks clockwise to tighten.

Glacier Multi Purpose Bookcase

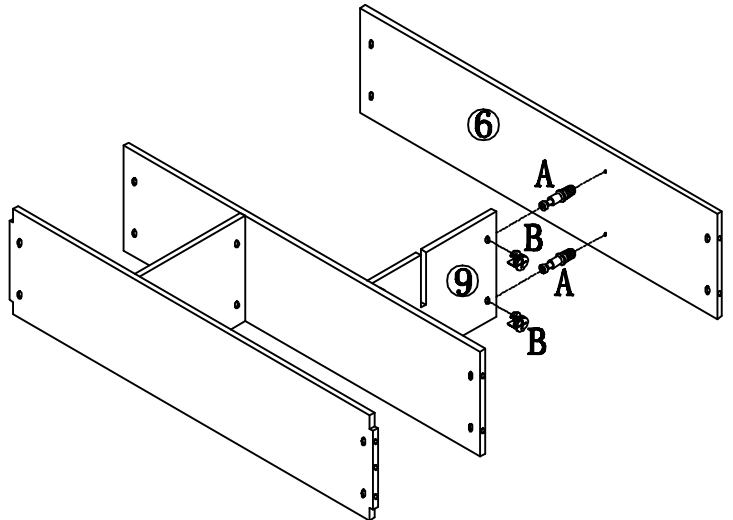
STEP 3

3.1



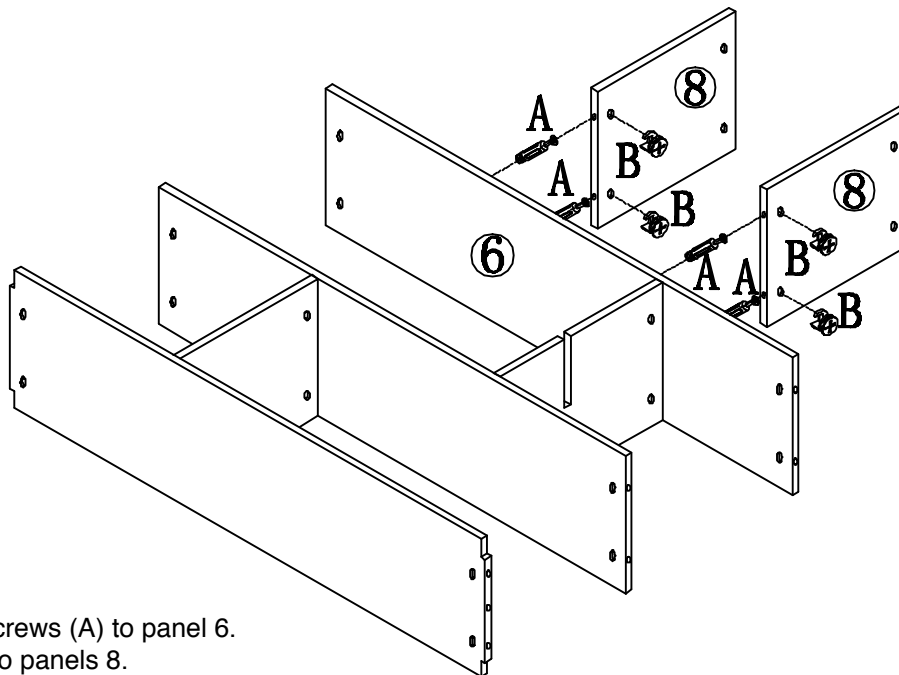
Carefully fit quickfit screws (A) to panel 5.
Insert cam locks (B) to panel 9.
Push panel 9 onto panel 5.
Turn cam locks clockwise to tighten.

3.2



Carefully fit quickfit screws (A) to panel 6.
Insert cam locks (B) to panel 9.
Push panel 6 onto panel 9.
Turn cam locks clockwise to tighten.

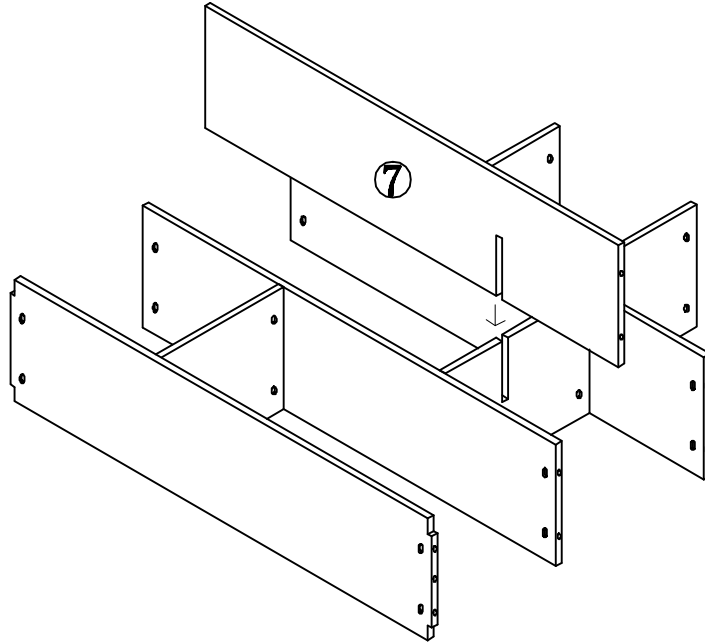
STEP 4



Carefully fit quickfit screws (A) to panel 6.
Insert cam locks (B) to panels 8.
Push panels 8 onto panel 6.
Turn cam locks clockwise to tighten.

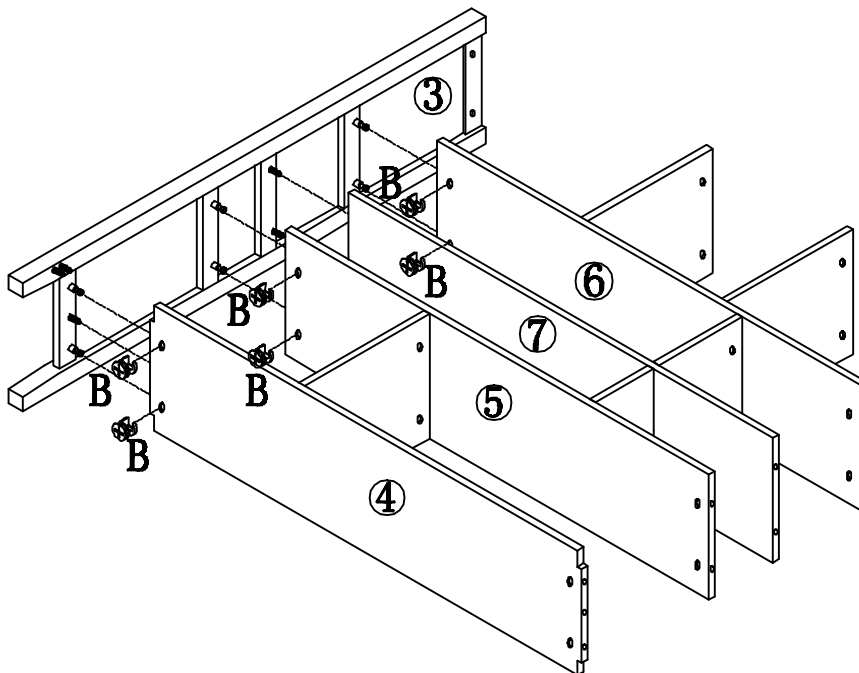
Glacier Multi Purpose Bookcase

STEP 5



Slot panel 7 onto panel 9 as shown.

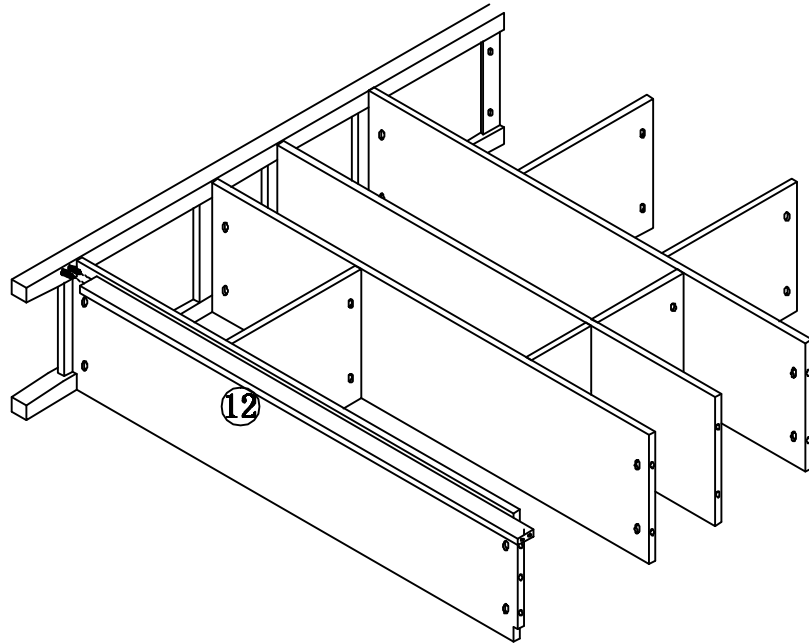
STEP 6



Insert cam locks (B) to panels 4, 5, 6 and 7.
Push panel 3 onto joined panels 4, 5, 6 and 7.
Turn cam locks clockwise to tighten.

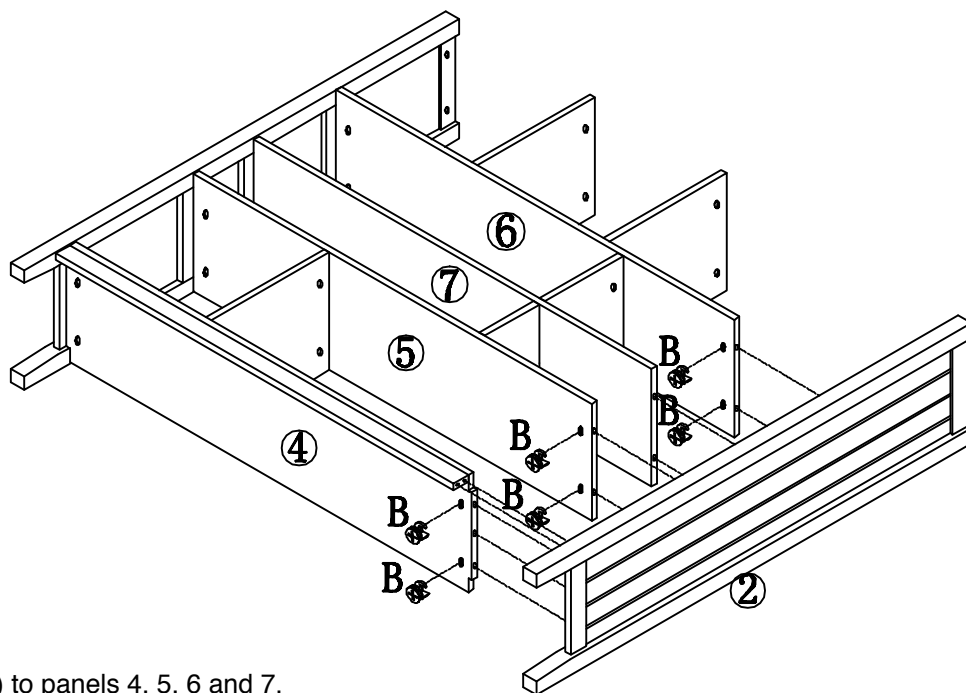
Glacier Multi Purpose Bookcase

STEP 7



Fit panel 12 into place on wooden dowels.
Use a small dot of wood glue to secure.

STEP 8

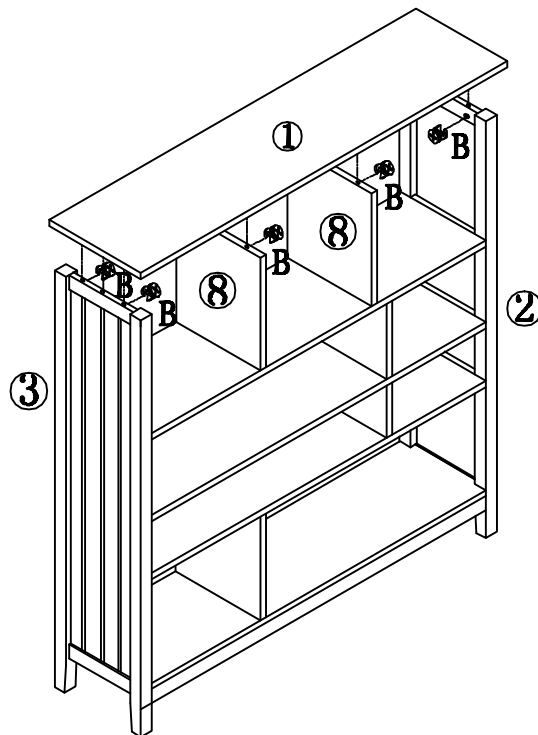


Insert cam locks (B) to panels 4, 5, 6 and 7.
Push panel 2 onto joined panels 4, 5, 6 and 7.
Turn cam locks clockwise to tighten.

Glacier Multi Purpose Bookcase

STEP 9

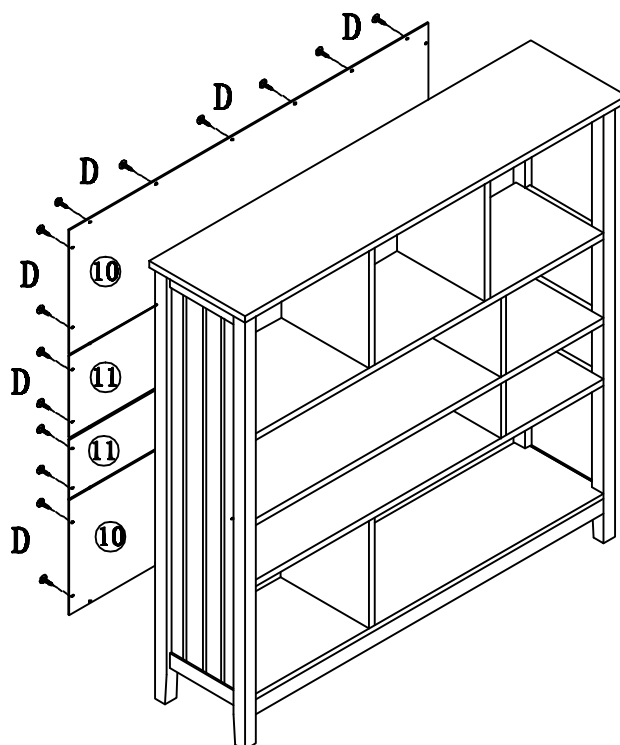
It is recommended to keep the product lying down until fully assembled for extra stability.



Insert cam locks (B) to panels 2, 3 and 8.
Push panel 1 onto joined panels 2, 3 and 8.
Turn cam locks clockwise to tighten.

STEP 10

It is recommended to keep the product lying down until fully assembled for extra stability.



Fix back panels 10 and 11 to
back of unit using screws (D).

Your multi purpose bookcase is ready for use.