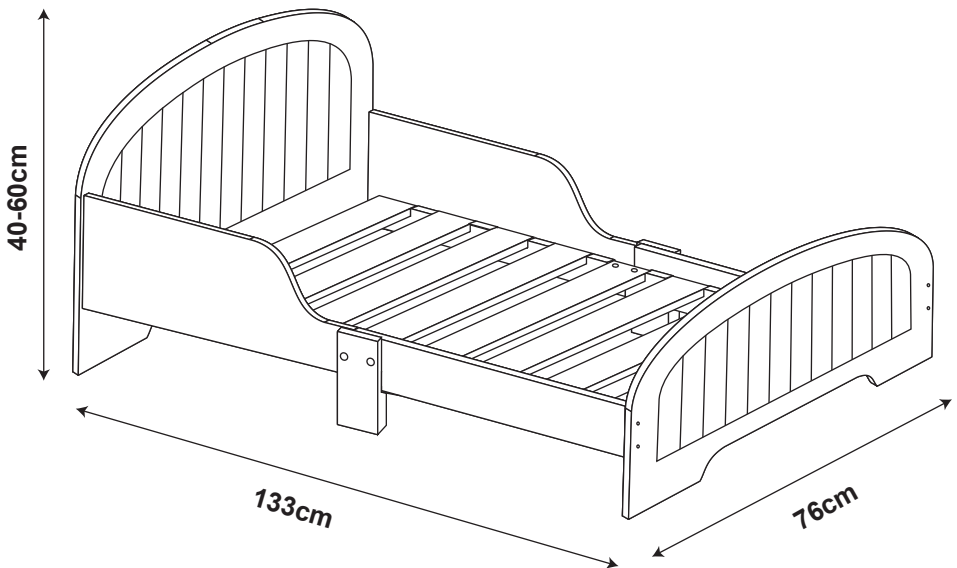


babywise[®]

TODDLER BED



INSTRUCTION MANUAL

The Toddler Bed is suitable for children of a maximum weight of 20kgs and is to be used by one child aged below 4 years.

AFTER SALES SUPPORT

 (NZ) 0800 422 274

Important Safety Instructions

RETAIN MANUAL FOR FUTURE REFERENCE. Read all instructions carefully before assembly and use of the junior bed. Failure to follow these warnings and instructions could result in serious injury or death.

⚠️WARNING:

- This product is suitable for children of a maximum weight of 20kgs and is to be used by one child aged below 4 years.
- This product is suitable for a mattress 130cm length x 70cm width x 10cm thickness.
- DO NOT use the product if any part is broken, torn or missing.
- DO NOT use a water mattress with this product.
- DO NOT use plastic bags or other plastic films as a mattress cover as they can cause suffocation.
- DO NOT place this product near heat sources, windows or other furniture.
- Be aware of the risk of open fires and other sources of strong heat, such as electric bar fires, gas fires etc.
- All assembly fittings should be tightened properly and care should be taken to ensure no screws are loose, as a child could trap parts of the body or clothing e.g. strings, necklaces, ribbons etc. which would pose a risk of strangulation.
- Children are likely to play, bounce, jump and climb on beds, therefore the Toddler Bed should not be placed too close to other furniture or windows, and should be placed either tight to any wall or have a gap of 300mm between the wall and the side of the bed.
- String can cause strangulation. do not place items with a string around a child's neck. DO NOT suspend string over toddler bed or attach strings to toys. This product has been designed and tested to BS8509:2008 + A1: 2011.

Assembly Details

45 mins

Approximate Assembly Time



1 person assembly

Floor Area:

2x2 meters

Required Assembly Space



Required Assembly Tools Phillips-Head Screwdriver



AFTER SALES SUPPORT

☎️ (NZ) 0800 422 274

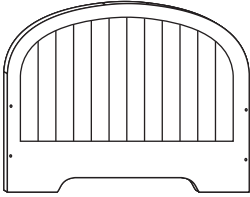
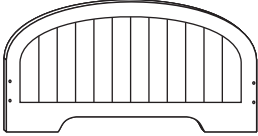
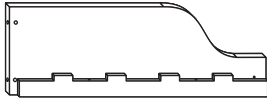
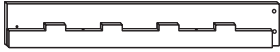

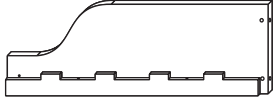

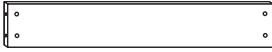




Tips Before you Start

1. Please check that all parts are present before you start the assembly of your furniture.
2. For ease and speed of assembly, we recommend that before you commence each step of the assembly, that you identify all the parts required for that step.
3. For larger items, please ensure that you have sufficient space and people (as indicated on page 2) to assemble your product safely.
4. We recommend that, where possible, all items are assembled near to the area in which they will be placed in use, to avoid moving the product unnecessarily once assembled.
5. For the protection of your furniture, we recommend that the product is placed on a protected surface during assembly to prevent any damage.
6. During assembly please take care not to over-tighten any fittings, as this may damage the product. Do not use power tools.
7. Always place the product on a flat, steady and stable surface.
8. Do not stand on the product. Do not use the product as a stepladder.
9. This product is intended for indoor, household use only as it is a non-industrial product.
10. Please use caution and care when lifting the product to avoid personal injury and/or product damage.

Care and Maintenance

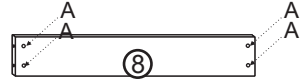
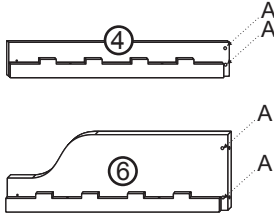
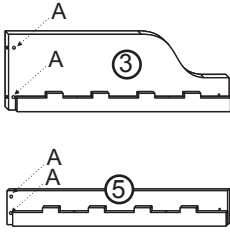
- Upon completion of assembly be sure that all screws, bolts and fastening devices have been tightened securely. Frequent periodic inspection should be made of all hardware and tightened if needed. Inspect the toddler bed to check if any parts are missing or broken.
- The toddler bed can be cleaned by wiping with a damp cloth and drying with a soft dry cloth.
- Never clean with abrasive ammonia base, bleach base or spirit type cleaners.
- If refinishing, use a non-toxic finish only for children's products.
- Use only replacement parts supplied by manufacturer.

Part Name

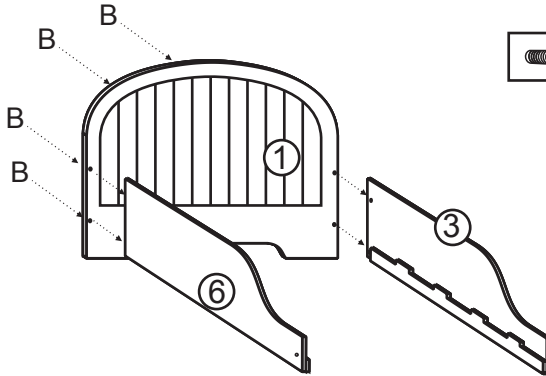
1  HEAD BOARD	1 x1	2  FOOT BOARD	2 x1
3  LARGE LEFT SIDE BOARD	3 x1	4  SMALL LEFT SIDE BOARD	4 x1
5  SMALL RIGHT SIDE BOARD	5 x1	6  LARGE RIGHT SIDE BOARD	6 x1
7  SLAT	7 x8	8  MIDDLE SLAT	8 x1
9  LIFT PLATE	9 x2	A  A	A x12
B  B	B x8	C  C	C x4

Assembly

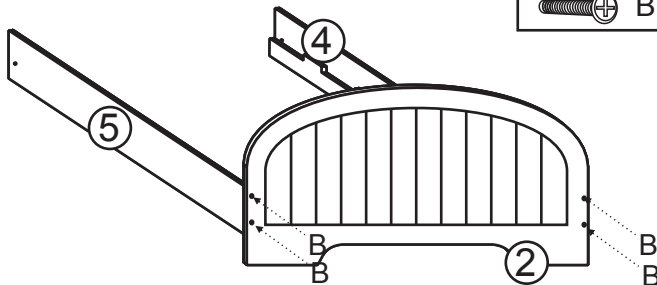
STEP 1



STEP 2

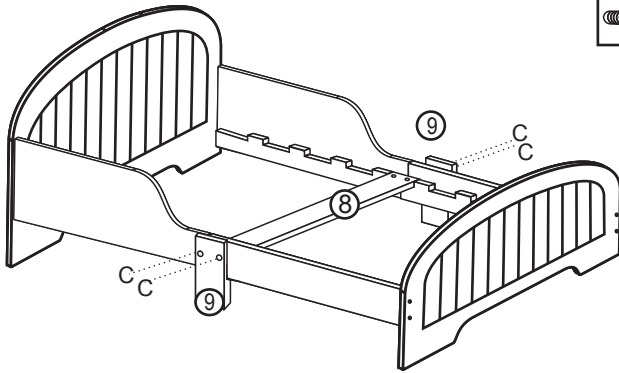


STEP 3

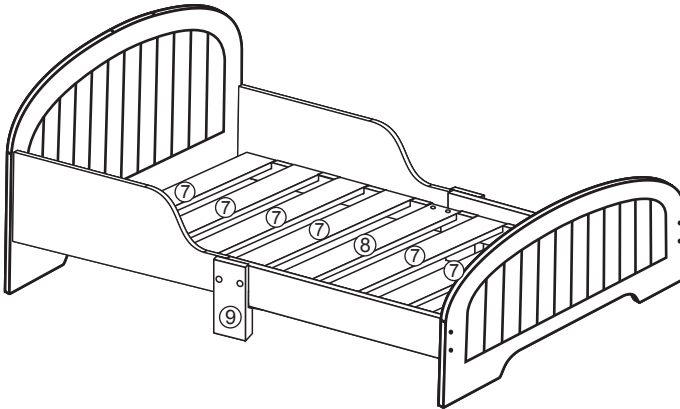


Assembly

STEP 4



STEP 5





babywise®

Warranty

We pride ourselves on producing a range of quality products that are both packed with features and completely reliable. We are so confident in our products, we back them up with a two-year warranty.

Now you too can relax knowing that you are covered.

Customer Helpline NZ: 0800 422 274
This product is covered by 2 year warranty
when accompanied by proof of purchase.

AFTER SALES SUPPORT

 **NZ** 0800 422 274