

LIVING & CO[®]

Thermoelectric 6 Bottle Wine Cooler



Instruction Manual WC6-LVC

AFTER SALES SUPPORT

 **NZ** 0800 422 274



Contents

Page

- 03 General Safety Instructions
- 07 Product Overview
- 08 Instructions
- 10 Other Useful Information

General Safety Instructions

READ CAREFULLY AND KEEP FOR FUTURE REFERENCE

Read this manual thoroughly before first use, even if you are familiar with this type of product. The safety precautions enclosed herein reduce the risk of fire, electric shock and injury when correctly adhered to. Keep the manual in a safe place for future reference, along with the completed warranty card, purchase receipt and carton. If applicable, pass these instructions on to the next owner of the appliance.



Pay particular attention to messages that follow this safety alert symbol or the words **DANGER, WARNING** or **CAUTION**. These words are used to alert you to a potential hazard that can seriously injure you and others. The instructions will tell you how to reduce the chance of injury and let you know what can happen if the instructions are not followed.



WARNING: Risk of fire

This symbol alerts you to take care as the appliance contains cyclopentane as insulation blowing gas, which is highly flammable. Do not expose the appliance to high heat, sparks and open flames. It is hazardous for anyone other than an authorised service person to service this appliance.

Responsible disposal

At the end of its working life, do not throw this appliance out with your household rubbish. Electrical and electronic products contain substances that can have a detrimental effect on the environment and human health if disposed of inappropriately. Observe any local regulations regarding the disposal of electrical consumer goods and dispose of it appropriately for recycling. Contact your municipal authorities for advice on recycling facilities in your area.

WARNING! This refrigeration appliance contains a flammable insulation blowing gas (cyclopentane), which must be removed before disposal. Contact your municipal authorities for any codes or regulations concerning the disposal of such materials.

DANGER! Risk of child entrapment: When discarding this or another refrigerator, make sure to take off the door and leave the shelves in place so that children cannot easily climb in and get trapped inside.

WARNING: This is a wine fridge, this is NOT to be used to preserve or store fresh food or consumables.

A wine fridge is designed for the storage of bottles at a certain temperature that is particularly suitable for wine. **The temperature maintained in this wine fridge is too high for safe storage of perishable foods.**

General Safety Instructions (Cont.)

To reduce the risk of fire, electric shock or injury, always follow basic safety precautions and accident prevention measures when using this appliance, including the following:

Electrical safety

- **Voltage:** Before connecting and turning on the fridge, ensure the electrical voltage and circuit frequency correspond to those indicated on the appliance rating label.
- **Power connection:** This wine fridge must be connected to an exclusive, properly grounded 220-240 V~ 50Hz electrical outlet. Do not overload the electrical circuit.
- **Plug:** The power cord of this wine fridge is equipped with a three-prong plug for use in standard wall outlets to minimise the possibility of electric shock. Do not modify the cord and plug provided with the appliance. Improper use of the grounded plug can result in the risk of electric shock.
- **Power cord:** Do not kink or damage the power cord; do not leave it exposed or dangling. Do not let it touch heated surfaces. Secure the cord at the back of the appliance so no one steps on or places anything on the cord or against it. Keep the cord out of reach of children. Never lift or carry the wine fridge by the cord. When moving the appliance, make sure not to damage the power cord.
- **No inverter, adaptor or extension cord:** Do not use an inverter, adaptor or extension cord. If the cord is too short, have a qualified electrician install an outlet near the appliance. Use of an extension cord can negatively affect the performance of the unit.
- **Damaged cord:** Do not use a cord that shows cracks or abrasion damage along its length or at either end. Any damage to the cord may cause a short circuit, fire and/or electric shock. If the power cord is damaged, it must be replaced by the manufacturer or its service agent. Contact the after sales support line for advice.
- **Protect from moisture:** To protect against the risk of electric shock, do not immerse the unit, cord or plug in water or spray any other liquids on the appliance and parts. Do not connect or disconnect the electric plug with wet hands, while standing on a wet surface or while standing in water.
- **WARNING!** Never unplug the unit by pulling the cord. Always grip the plug firmly and pull straight out from the power point.
- **Electrical work:** If the installation of this appliance requires any electrical work, make sure it is carried out by a qualified electrician.

Usage conditions and restrictions

- **Domestic use only:** This appliance is intended for indoor household use only. It is not intended for commercial, industrial or trade use. Do not use it outdoors or in wet conditions. Do not use it in a recreational vehicle.
- **Intended purpose:** Do not use this appliance for anything other than its intended purpose, and only use it as described in this manual. Do not attempt to alter or modify this appliance in any way.
- **Attachments:** The use of attachments not recommended by the appliance manufacturer/distributor may be hazardous.

General Safety Instructions (Cont.)

- **Usage restrictions:** This appliance is not intended for use by persons (including children) with reduced physical, sensory or mental capabilities, or lack of experience and knowledge, unless they have been given supervision or instruction concerning the use of the appliance by a person responsible for their safety.
- **Children:** Supervise children to ensure they do not play with the appliance. Close supervision is necessary when any appliance is used by or near children. Never allow children to operate, play with or crawl inside the appliance.
- **WARNING!** Do not use any electrical appliances inside refrigeration appliances, unless they are approved for this purpose by the manufacturer.
- **Keep clear:** Do not place any other appliance on top of the wine fridge. Never cover shelves with aluminium foil or any other material, which may prevent air circulation.
- **Energy conservation:** Close the wine fridge door immediately after putting in any items so the inside temperature will not rise unnecessarily.

Cleaning and maintenance

- **Disconnect:** Unplug the appliance before cleaning or servicing. Failure to do so can result in electric shock, injury or death. Do not connect or disconnect the plug when your hands are wet.
- **Flames:** Do not let open flames or ignition sources enter the appliance.
- **Flammable/explosive substances:** Never clean this appliance with flammable fluids. Do not store or use volatile, flammable or explosive substances such as aerosol cans with a flammable propellants in or close to this or any other appliance. The fumes can create a fire hazard or explosion.
- **Solvents:** Do not use solvent based cleaning agents or abrasives on the interior as these may damage or discolour the surfaces of the appliances. Only use mild detergents or glass-cleaning products.
- **WARNING!** Do not use mechanical devices or other means to accelerate the defrosting process, other than those recommended by the manufacturer.
- **Service/repair:** Do not attempt to repair, modify or replace any part of the appliance unless specifically recommended in this manual. Refer all other servicing to a qualified technician, or contact the after sales support centre for advice.
- **Liability:** Damage due to improper use, or repairs made by unqualified personnel will void your warranty. We assume no liability for any eventual damages caused by misuse of the product or noncompliance with these instructions.

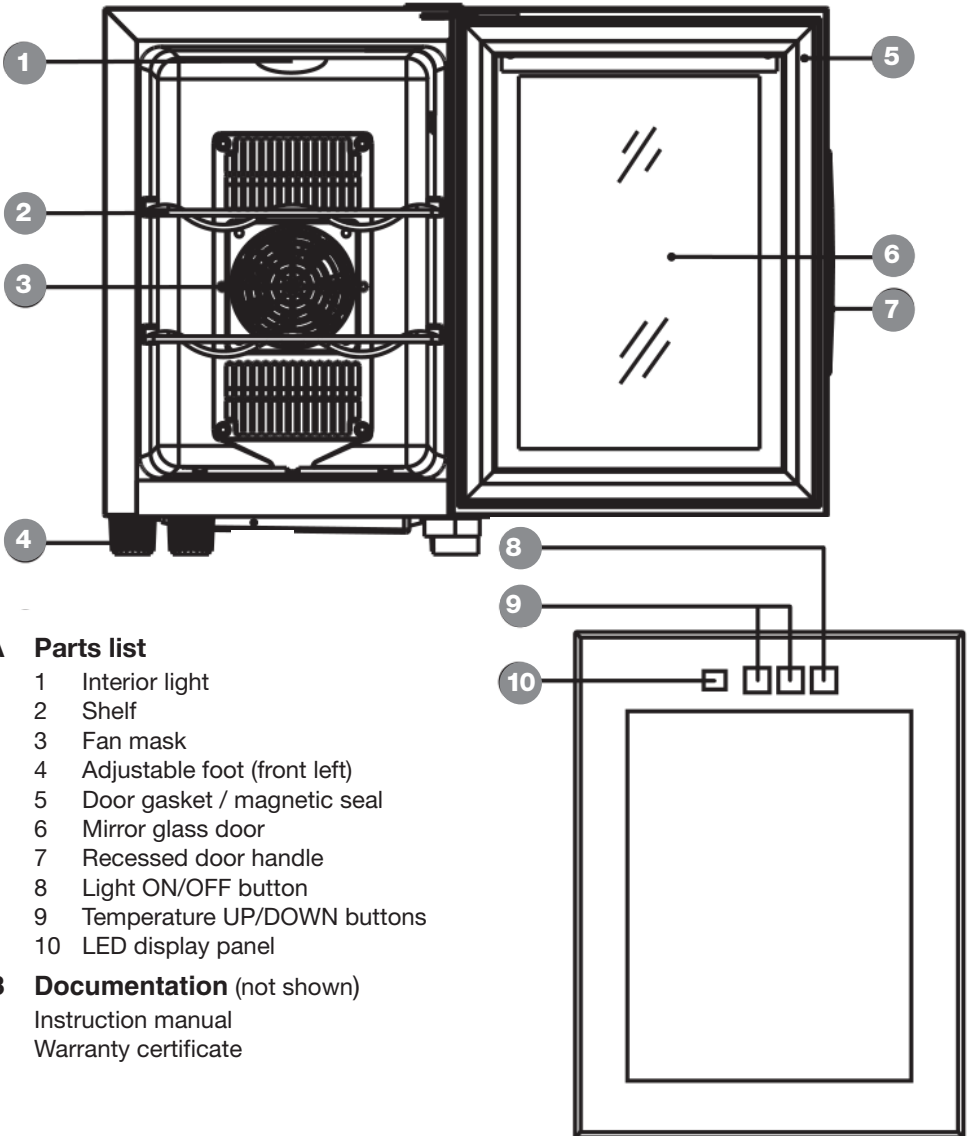
General Safety Instructions (Cont.)

Installation precautions

- **Where to install the appliance:** Install the appliance in an area that meets the following requirements:
 - ☑ **Ambient temperature:** Choose a well ventilated area for the wine fridge. It is designed for use in ambient temperatures of 10°C to 32°C.
 - ☑ **Floor surface:** The floor must be dry, sturdy, level and strong enough to support the unit when it is fully loaded.
 - ☑ For best energy efficiency install the wine fridge in the coolest area of the room.
- **Where NOT to install the appliance:** Do NOT install the wine fridge in the following locations/situations:
 - ☑ In a garage or any other outdoor installation. The appliance must be installed in an indoor area protected from wind, rain, water spray or drips.
 - ☑ In an area with excessive moisture and high humidity. Excessive moisture in the air will cause fast build-up of frost on the evaporator.
 - ☑ In a recreational vehicle, or for use with an inverter.
 - ☑ In direct sunlight, near heat sources, next to an open flame, cooking or heating appliance (stove, heater, radiator, etc.), or near any other source of high heat. Direct sunlight may affect the surface finishes, and heat sources may interfere with proper operation of the appliance and increase its power consumption.
 - ☑ In an area with extremely cold or hot ambient temperatures.
 - ☑ In an area where petrol or other explosive and/or flammable liquids or fumes are used or stored. The fumes can create a fire hazard or explosion.
- **Freestanding design:** This appliance is designed to be freestanding only and must not be recessed or built in.
- **WARNING: Ensure proper ventilation!** Keep any ventilation openings clear of obstructions. Ensure that the ventilation openings are never blocked or covered.
- **Keep it upright:** Do not tilt the fridge more than 45° from upright when moving it. Ensure that it is not set horizontally or turned upside down.
- **Handle with care:** Take care when moving the appliance. Do not apply force to the door or other parts.
- **Avoid injury:** To avoid back or other injury, bend your knees and maintain the natural curves of your back when lifting the appliance.
- **WARNING: Ensure adequate air circulation!** To allow for adequate air circulation around the appliance and prevent overheating, leave a clearance of at least 10cm at the back and 5cm at the sides of the wine fridge and make sure that the front of the unit is completely unobstructed.
- **Levelling:** It is important for the wine fridge to be level in order to work properly. To level the unit, adjust the adjustable foot at the front of the wine fridge.

Product Overview

Scope of delivery



A Parts list

- 1 Interior light
- 2 Shelf
- 3 Fan mask
- 4 Adjustable foot (front left)
- 5 Door gasket / magnetic seal
- 6 Mirror glass door
- 7 Recessed door handle
- 8 Light ON/OFF button
- 9 Temperature UP/DOWN buttons
- 10 LED display panel

B Documentation (not shown)

- Instruction manual
- Warranty certificate

NOTE: Due to continued product improvement, images and illustrations in this manual may vary slightly from the product purchased. All images in this manual are for reference purposes only. Parts are not necessarily pictured to scale.

Instructions

Before first use

- **Packaging materials:** This product has been packaged to protect it against transportation damage. Remove all packaging materials from around and inside the appliance. Keep the original packaging box and materials in a safe place. It will help prevent any damage if the product needs to be transported in the future, and you can use it to store the appliance when it is not in use. In the event that the box is to be disposed of, please recycle all packaging materials where possible.

Plastic wrapping can be a suffocation hazard for babies and young children, so ensure all packaging materials are out of their reach and disposed of safely.

- **Parts:** Check to ensure you have all the parts listed/pictured on page 7.
- **Power cord:** Unwind the power cord to its full length and inspect it for damage. Do not use the appliance if the appliance or its cord has been damaged or is not working properly. In case of damage, contact our after sales support centre for advice on examination, repair or return of the damaged product.
- **Read the manual:** Read this manual to familiarise yourself with the appliance. Pay particular attention to the safety instructions on the previous pages.
- **Clean:** To remove any dust from transit and storage, clean the interior surfaces of the wine fridge with lukewarm water and a soft cloth, following the instructions in the "Cleaning the wine fridge" section. Dry thoroughly.
- **Assembly:** This is not necessary. The wine fridge comes fully assembled with two wine racks, each holding two bottles. A further two bottles may be stored on the bottom of the cooling cabinet.

First use

- **Electrical connection:** When the wine fridge is properly set up, plug the appliance into a dedicated 220–240V~ 50Hz wall outlet. Do not under any circumstances cut or remove the third (earth) prong from the power cord. Any questions concerning power and/or earthing should be directed toward a licensed electrician or our after sales support centre.
- **First cool down:** After you have connected the wine fridge to your power supply, set the desired temperature for the bottle compartment (see page 9). Leave the wine fridge operating for approximately one to two hours to allow it to reach the set temperature. During this period of time, try not to open the door frequently.
- Place your choice of wine bottles into the wine fridge. It will take approximately one to two hours of operation before the bottles have cooled to the set temperature.
- **Odour:** You may notice a slight odour when you first switch on the appliance. This is due to the parts being new and is no cause for concern. The odour will subside as the appliance starts to cool.



Instructions (Cont.)

Temperature control

This wine fridge enables you to store your wine in a relatively stable temperature environment and free from light exposure and vibrations. These are most important factors when it comes to storing wine. A stable, temperature-appropriate environment will help maintain the quality of your wine and prevent spoilage.


- **Selecting the right temperature:** You can store your wine at the most appropriate serving temperature (see the table below). Set the temperature according to the type of wine that is mostly stored in the wine fridge.

Type of wine	Recommended storage temperature
Red wine	15° – 18°C
White wine	11° – 15°C
Rosé wine	10° – 11°C
Sparkling wine	8° – 10°C

- **Adjusting the temperature:** You can adjust the temperature in the cabinet to anywhere within the cooling range (8°C – 18°C).
To set the temperature, press the UP  or DOWN  button repeatedly. With every press, the temperature will increase (or decrease) by one degree. The set temperature will flash briefly on the LED display, before it shows the current temperature again.

NOTE: The actual and set temperatures inside the cabinet may fluctuate slightly, depending on the room temperature, the number of door openings and the frequency and duration of the interior light being on.

Using the wine fridge

- **For maximum loading capacity,** place two bottles on the bottom of the cabinet and two bottles each on each wine rack.
- **For efficient operation,** do not open the door unnecessarily. Only keep it open for as long as necessary when removing or adding a bottle.
- **For your viewing convenience,** the wine fridge has an interior light to help you check the contents. To activate the light, press the Light  ON/OFF button on the control panel, then press the button again to switch off the light.
- **For best wine storage conditions,** always leave the interior light off during normal operation.

Other Useful Information

FAQs and troubleshooting guide

If you encounter any problems with your wine fridge, try the suggestions below to see if you can solve the problem before contacting our after sales support centre. You can solve many common problems easily, saving you the time of a possible service call.

Problem	Possible cause
The wine fridge does not work.	<ul style="list-style-type: none"> • The appliance is not plugged in. • The home circuit breaker or fuse has tripped.
The wine fridge is not reaching the set temperature.	<ul style="list-style-type: none"> • Check the temperature control setting. Your external environment may require a higher setting. • The door is opened too often, or is kept open for too long. • The wine fridge is placed too close to a heat source. • The wine fridge has recently been disconnected for a period of time. Approximately 2 hours are required for the wine fridge to cool down completely. • The door is not closed completely.
There are vibrations.	<ul style="list-style-type: none"> • Check to ensure that the wine fridge is level. • If the wine fridge is touching the wall, reposition it.
The door will not close properly.	<ul style="list-style-type: none"> • The wine fridge is not level. • The gasket is dirty. • The shelves are out of position.
Moisture forms on the inside fridge walls.	<ul style="list-style-type: none"> • The door is slightly open, causing cold air from inside the wine fridge to meet warm, moist air from outside. • The door is opened too frequently or kept open too long. • The door does not seal properly.
Moisture forms on the outside glass door.	<ul style="list-style-type: none"> • This may occur in summer or during high humidity, as a natural result of condensation. Just wipe it dry.
The light does not work.	<ul style="list-style-type: none"> • The appliance is not plugged in. • The home circuit breaker or fuse has tripped. • The bulb has burned out and needs to be replaced.

Service and repair

- Do not attempt to repair or replace any part of the appliance unless it is specifically recommended in this manual. All other servicing should be referred to a qualified technician. Contact our after sales support centre for advice.
- The interior light is powered by a 1W LED light bulb, which cannot be replaced.

Compliance

This product has been fully tested and meets all requirements as set out by standards AS/NZS 60335.1 and AS/NZS 60335.2.24.

Other Useful Information (Cont.)

WARNING!

- Before cleaning the appliance, make sure it is disconnected from the power supply. Failure to do so can result in electric shock or injury.
- Never clean the unit with an abrasive, acid, oil or solvent based cleaning agent.
- Never use flammable fluids or sprays for cleaning as the fumes from these substances can create a fire hazard or explosion.

Cleaning the wine fridge

- Take out any bottles as well as the shelves before cleaning.
- Wash the **inside surfaces** with a solution of lukewarm water (1L) and baking soda (3 tbsp). Use a soft, clean cloth to wipe down the surfaces, then rinse with clean water and dry with a dry cloth.
- Wash the **shelves** in warm, sudsy water, rinse and dry.
- Wipe the **exterior surfaces** with a damp, sudsy cloth, rinse and dry. Wring excess water out of the cloth when cleaning around the ventilation openings and electrical parts. For stubborn stains or periodic waxing, use silicone wax.
- Make sure to keep the **door gasket (seal)** clean to keep the unit running efficiently.
- Wipe the **glass door** using a microfibre cleaning cloth. In summer months or times of high humidity, moisture may build up on the glass door. Should this occur, simply wipe away such condensation using a soft, dry cloth.
- **Defrosting** is not required.

Specifications and technical parameters

Appliance	Thermoelectric refrigerator (Model WC6-LVC)
Power	50W
Rated voltage and frequency	220–240V~, 50Hz
Capacity	6 standard size 750mL bottles
Volume	16L
Protection type	Class I
Climate type	SN-N (ambient temperatures: 10°C to 32°C)
Blowing gas	Cyclopentane
Dimensions (mm)	L252 x H365 x D515
Weight	approx. 9.9kg

Warranty returns

Should you for any reason need to return this product for a warranty claim, make sure to include all accessories with the product.

Product does not work?

If you encounter problems with this product, or if it fails to perform to your expectations, make sure to contact our After Sales Support Centre on 0800 422 274 for advice.

For an electronic copy of this manual, please contact our after sales support centre.

Distributed by Tempo (Aust) Pty Ltd ABN 70 106 100 252
PO BOX 6056 Frenchs Forest, Australia NSW 2086
Customer Helpline 0800 422 274

V1.1 - July 2018