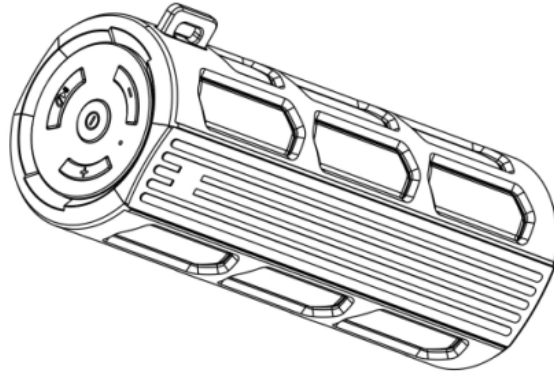


# INSTRUCTION MANUAL FOR SRO6159

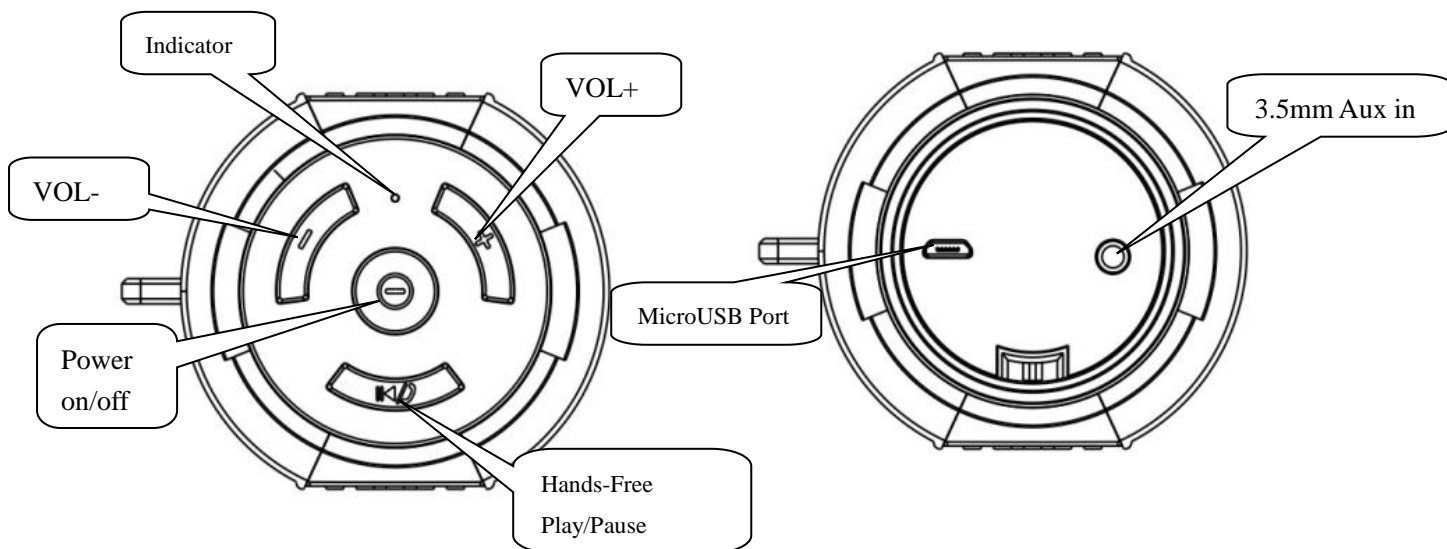
## (Barcode: 9400988536491)



### WARNINGS

This speaker is intended for domestic household use only and should not be used for any other purpose or in any other application, such as for non-domestic use or in a commercial environment.

### OVERVIEW



### BLUETOOTH OPERATION

1. Turn on the speaker. The blue indicator light will flash to detect Bluetooth enabled devices near you. The blue indicator light will go out if no Bluetooth device is detected within 5 minutes.
2. Pair the speaker with the desired Bluetooth device.
3. Play/pause as desired by pressing ►||.
4. Press & hold “-” to select previous tracks, keep pushing to decrease the volume.
5. Press & hold “+” to select next tracks, keep pushing to increase the volume
6. When you want to play music or movie from another Bluetooth device, disconnect the speaker and restart the Bluetooth speaker and re-pair.

## AUX PLAYBACK OPERATION

1. Turn on the speaker.
2. Insert an 3.5mm audio cable into the aux jack on the back of the speaker, connecting to any audio device such as mobile phones or computers with the other port.
3. Play/pause as desired by pressing ►||.
4. Keep pushing the “-“push button to decrease the volume.
5. Keep pushing the “+”push button to increase the volume.

## CHARGING THE SPEAKER

The speaker has a built-in Lithium battery. The battery is rechargeable and provides approx 2-hour continuous operation when fully charged.

Use the micro-USB cable to charge the speaker. The red indicator light will illuminate. The red indicator light will go off when the speaker is fully charged.

## SPEAKER PHONE OPERATION

1. Press ►||/☎ to answer an incoming call.
2. Press ►||/☎ to hang up.
3. Press & hold ►||/☎ to reject an incoming call.
4. Press twice ►||/☎ to redial the last phone number.

## SPECIFICATION

- Product Model : SRO6159
- Bluetooth Specifications : Bluetooth V2.1+EDR
- Transmission Distance : ≤10M (depending upon operation environment and devices to which it connects)
- USB Recharge Voltage: DC 5V
- Built-in Battery: Lithium battery 1050mAh
- Output Power: 5W\*2
- Frequency Response: 90Hz-20 KHz
- Sensitivity: 80db±2db
- Signal to Noise Ratio (SNR): ≥76dB
- Product Dimensions (L X W X D): 68.5\*68.5\*180mm
- Charging time: 2.5 hours

## PACKING LIST

- Bluetooth Speaker
- User manual
- Micro USB charging cable