



# Instruction Manual & User Guide

## Toddler Bed with Drawer

---



---

### **IMPORTANT: RETAIN FOR FUTURE REFERENCE.**

---

Please read this manual in its entirety before assembling the product and follow all instructions contained herein.

Do not use if any part is Broken, Torn or Missing.

Please retain instruction manual for future reference.

Illustrations are representative only.

Design and style may vary.

---



An IGC Doreel brand

## Table of Contents

- **WARNINGS** page 3
- Component list page 4
- Component list (cont) page 5
- Assembling toddler bed page 6
  - Step 1 Fitting the slats
  - Step 2 Fitting the slats (cont)
  - Step 3 Fitting other toddler bed side rail page 7
  - Step 4 Attaching guide rail mounting block
  - Step 5 Attaching headboard page 8
  - Step 6 Attaching footboard
- Assembling drawer page 9
  - Step 1 Fitting Cam-screws
  - Step 2 Fitting side panels
  - Step 3 Fitting base panel page 10
  - Step 4 Fitting drawer back
  - Step 5 Ensuring all screws and cam-locks are tight page 11
  - Step 6 Fitting drawer to toddler bed
- Product care and maintenance page 12
- Customer service

---

**THESE INSTRUCTIONS DETAIL THE SAFE USE, ASSEMBLY AND MAINTENANCE OF YOUR PRODUCT. PLEASE READ THESE INSTRUCTIONS CAREFULLY AND ENSURE THAT THEY ARE FOLLOWED AT ALL TIMES. FAILURE TO DO SO COULD RESULT IN SERIOUS INJURY OR DEATH.**

---

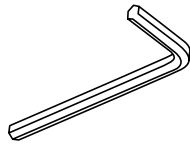
## **WARNING**

- Failure to follow these warnings and instructions could result in serious injury or death.
- Do not use the toddler bed near naked heat sources, bar heaters, open fires or exposed flames.
- Do not place more than one child in the toddler bed at the same time.
- Do not try and move the toddler bed while a child is in it.
- This product is not intended for commercial use.
- Ensure that the toddler bed is completely assembled and check that all parts are securely tightened before placing a child in the bed.
- To avoid danger of suffocation, keep any plastic bags away from babies and children. Please dispose of waste packaging thoughtfully.
- Unsuitable for children weighing more than **23kg**.
- This toddler bed has been manufactured for use with a mattress which measures 1300mm (long) x 690mm (wide) x 100-150mm (high).
- Drawer maximum capacity **10kg**.

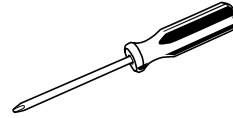
# Components List:

## TOOLS REQUIRED:

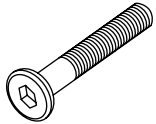
Allen key x 1 (supplied)



Phillips head screwdriver  
(Not supplied)

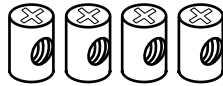


## HARDWARE:

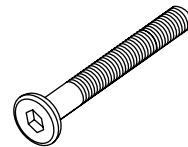


Allen head bolts  
40mm x 8

To fasten headboard to toddler bed side rail and drawer guide rail mounting block to end panels (headboard and footboard)

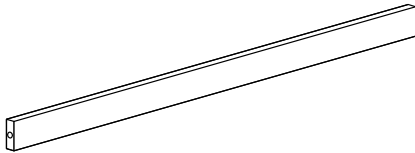


Single barrel nuts  
X 10

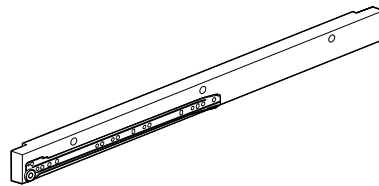


Allen head bolts  
60mm x 10

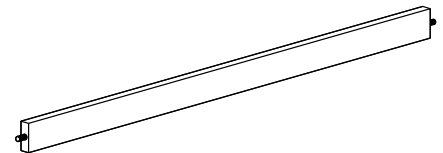
To fasten end panels to mattress base, and mattress base centre slat.



Bolted middle slat x 1

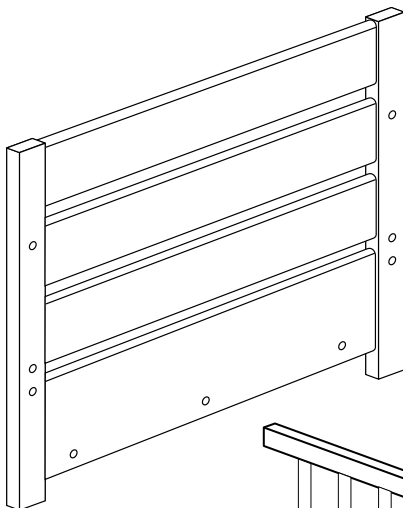


Drawer guide rail &  
mounting block

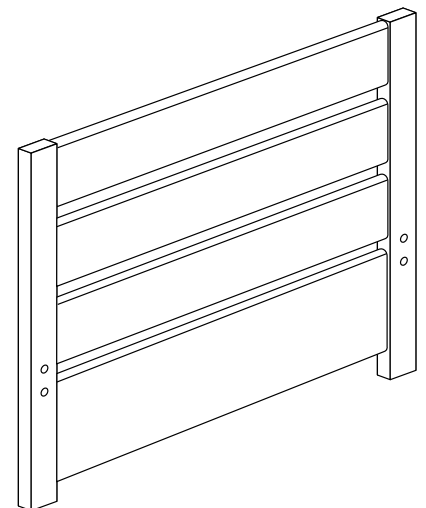


Doweled mattress slats x 8

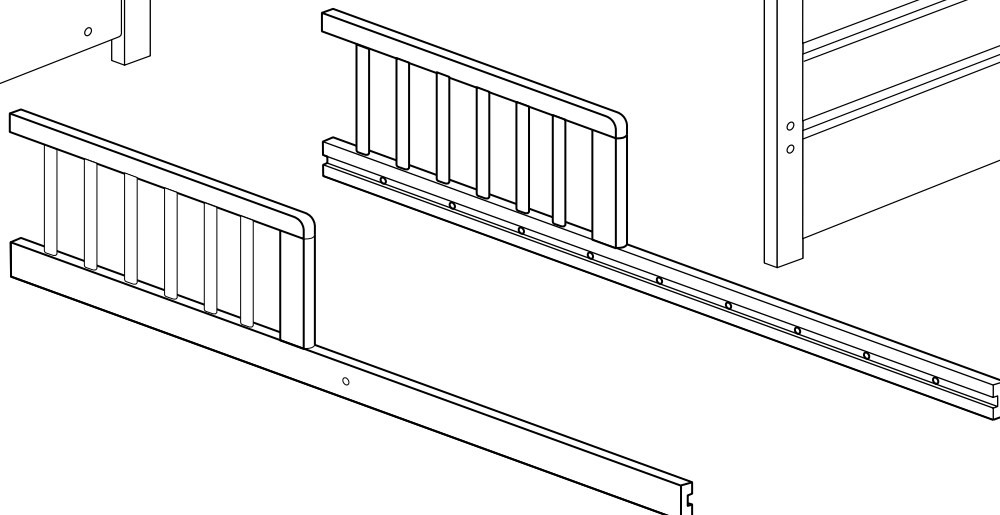
Headboard x 1



Footboard x 1



Toddler bed side rail x 2  
(1 Left & 1 Right)



# Components List: (cont)



**Wood screw**  
25mm x 6

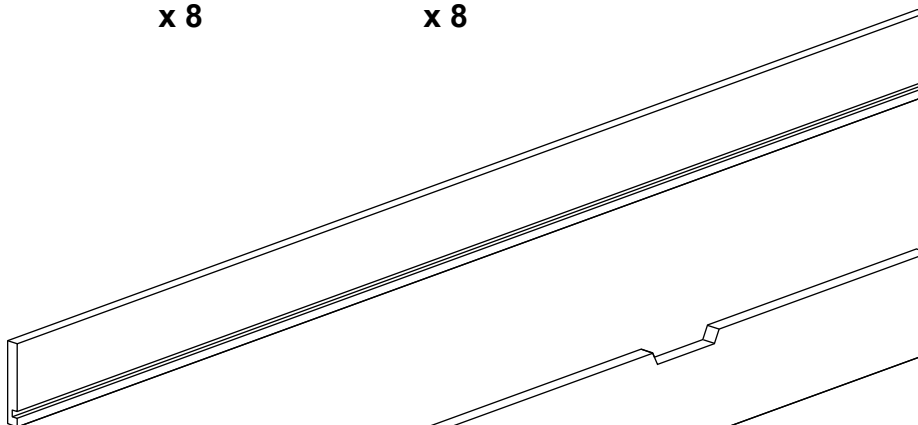


**Cam-lock**  
x 8

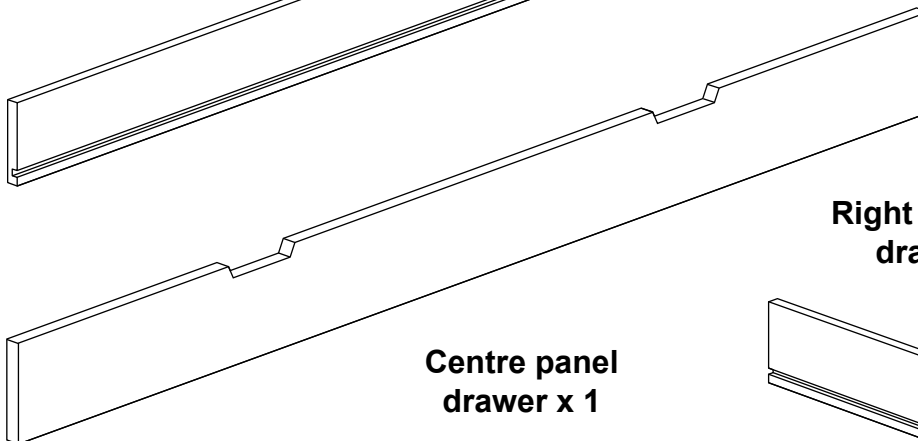


**Cam-screw**  
x 8

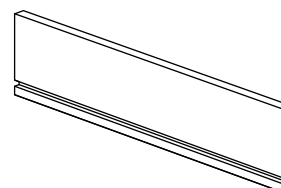
**Back panel  
drawer x 1**



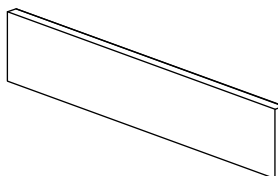
**Front panel  
drawer x 1**



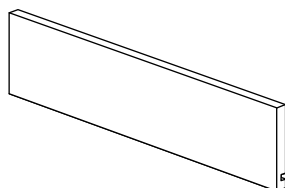
**Right side panel  
drawer x 1**



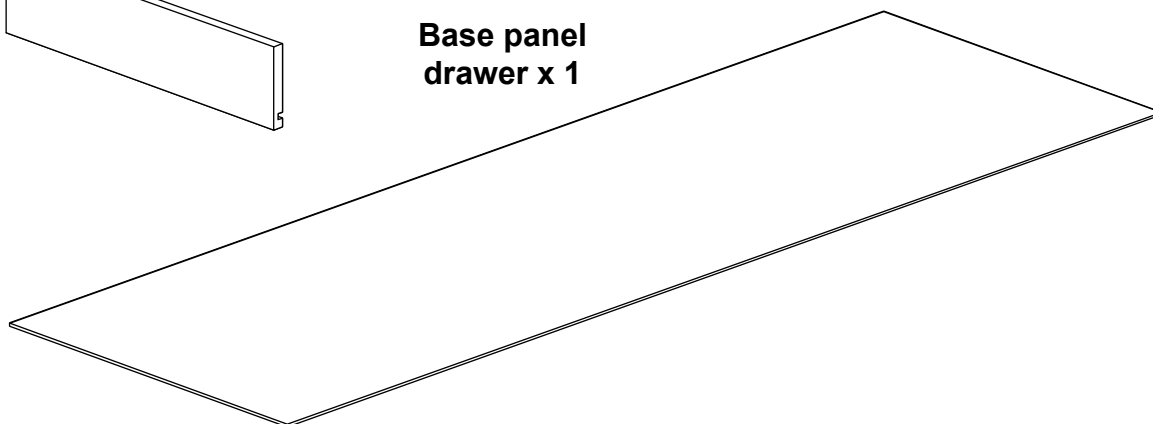
**Centre panel  
drawer x 1**



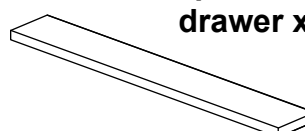
**Left side panel  
drawer x 1**



**Base panel  
drawer x 1**



**Base panel support  
drawer x 1**



# Assembling: Toddler bed



Read the instructions carefully before use and keep them for future reference. The child may be hurt if you do not follow these instructions.

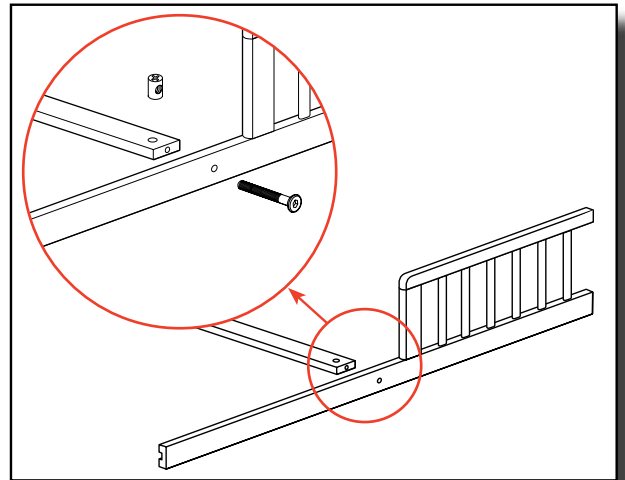
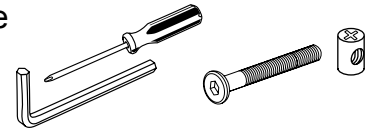


It is recommended that two (2) people are needed to safely assemble this product.

## Step 1

- Fit and fix one end of the middle slat to the centre of one toddler be side rail using 1 x 60mm allen head bolt and 1 single barrel nut, as per **Figure 1**.
- To assist in the assembly of the remaining mattress base slats, leave the bolt slightly loose.

Tools/Hardware required:

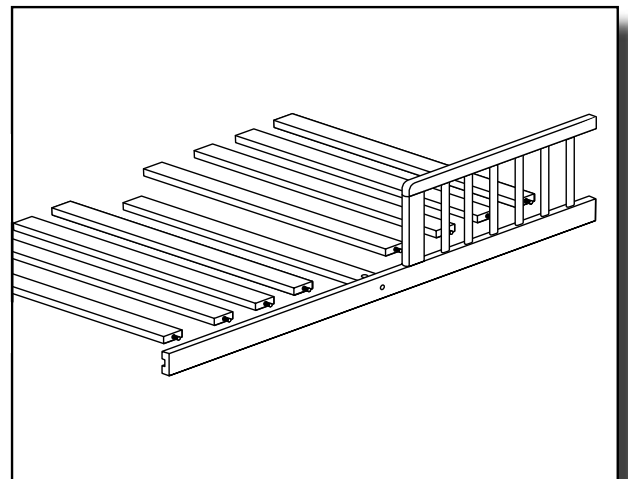


**Figure 1**



## Step 2

- Fit one end of the remaining 8 mattress base slats to the 8 dowel holes in the toddler bed side rail, as per **Figure 2**.



**Figure 2**

# Assembling: Toddler bed (cont)

## Step 3

- Carefully fit the other end of the middle slat and align other dowelled mattress base slats into the opposite side, toddler bed mattress base rail, as per Figure 3.
- Tighten both centre slat bolts.

Tools/Hardware required:

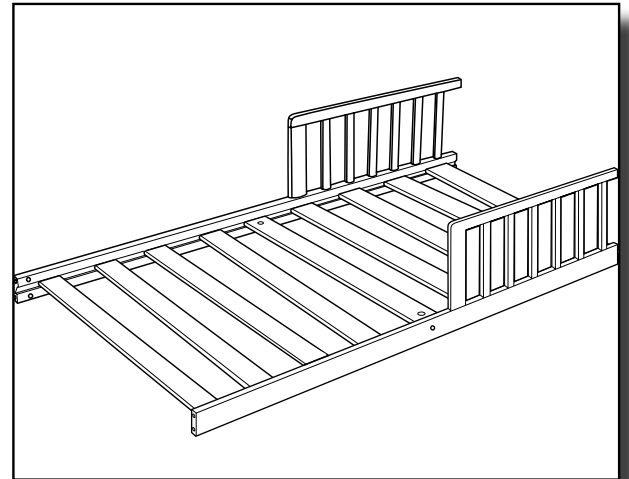
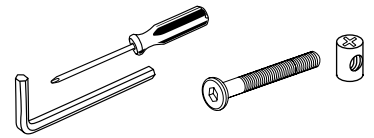


Figure 3

## Step 4

- Attach the drawer guide rail mounting block to the headboard using 3 x 40mm allen head bolts, as per Figure 4.
- Repeat for the footboard.

Tools/Hardware required:

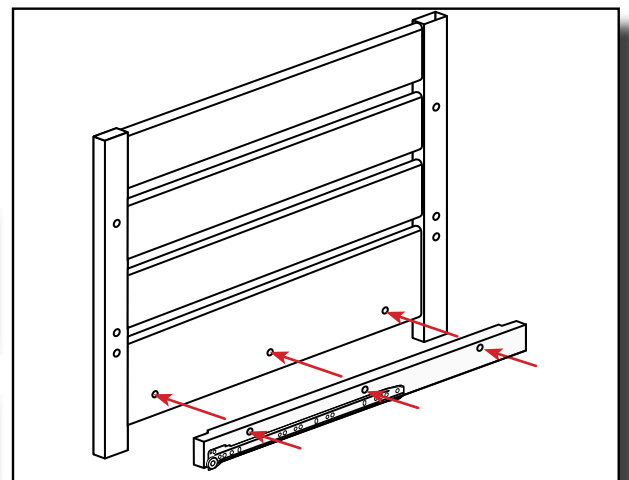
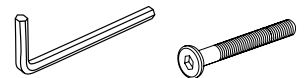


Figure 4



When fitting the drawer guide rail mounting block, the end with the drawer guide will be on the side the drawer will be on.



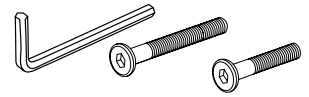
The drawer guide rail mounting block, is always fitted with the three holes to the top.

- If you wish to change the side of the drawer.
- Remove the drawer.
- Remove both drawer guide rail blocks from the headboard and footboard, then refit them to the opposite end of the toddler bed.
- Refit drawer as per Step 6 page 11.

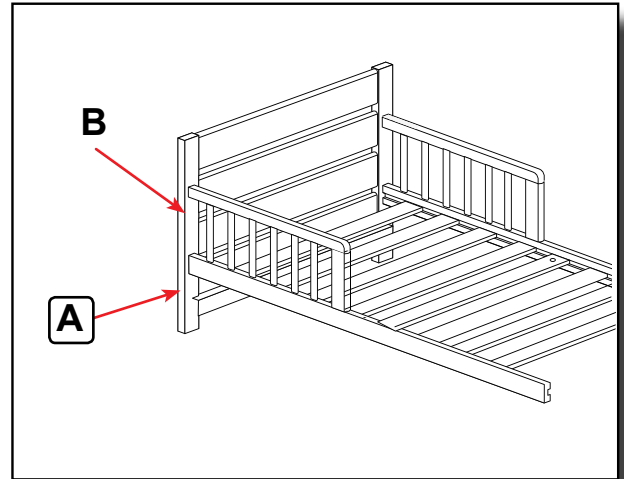
# Assembling: Toddler bed (cont)

## Step 5

Tools/Hardware required:



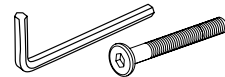
- Attach the headboard to the mattress base using 2 x 60mm allen head bolts (A) and 1 x 40mm allen head bolts (B), as per **Figure 5**.
- Repeat for other side.



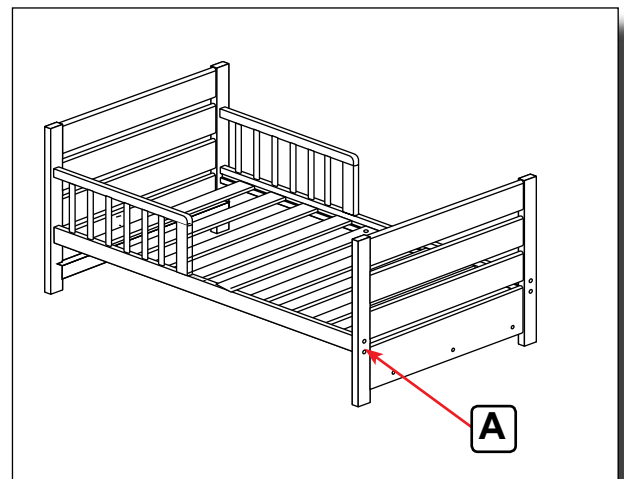
**Figure 5**

## Step 6

Tools/Hardware required:



- Attach the footboard to the mattress base using 2 x 60mm allen head bolts (A), as per **Figure 6**.
- Repeat for other side.



**Figure 6**



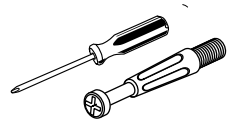
# Assembling: Drawer



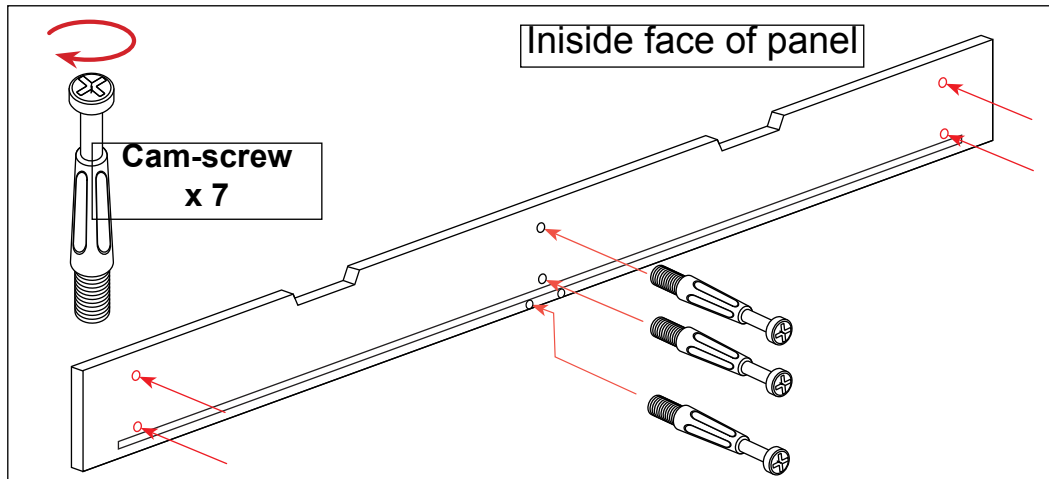
The toddler bed drawer can be mounted on either side of the toddler bed depending on your personal preference.

## Step 1

Tools/Hardware required:



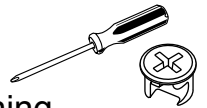
- Fit 7 x Cam-screws to the front panel, as per **Figure 7**.



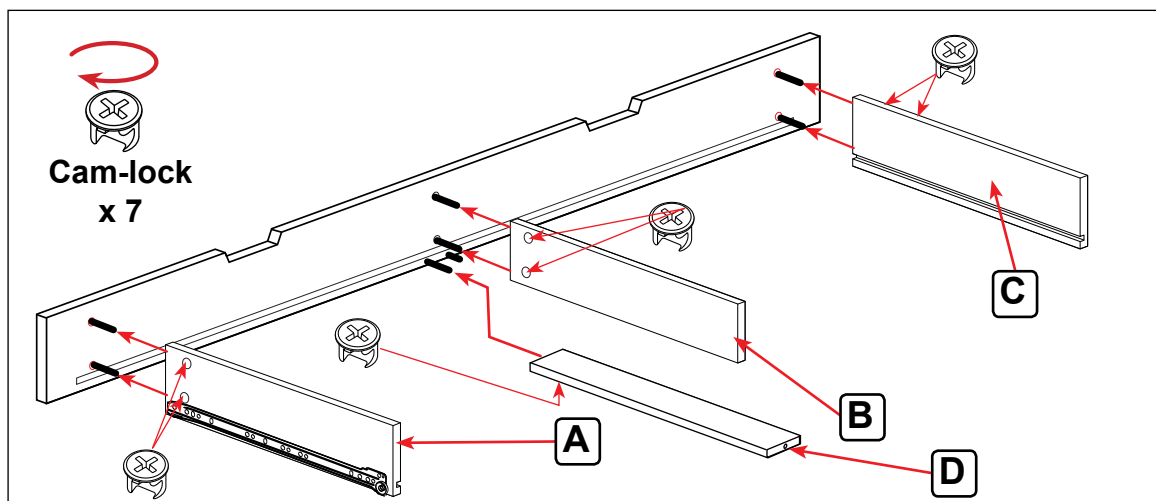
**Figure 7**

## Step 2

Tools/Hardware required:



- Fit the left (**A**), centre (**B**) and right (**C**) panels to the front panel by pushing them onto the cam-screws, (A & C groove to the bottom).
- Fit the base panel support (**D**) to the bottom centre cam-screw.
- Fit a cam-lock into each of the holes at the side of the panels then twist to lock into position, as per **Figure 8**.



**Figure 8**

# Assembling: Drawer (cont)

## Step 3

- Slide the drawer base panel (A) into position, as per **Figure 9**.

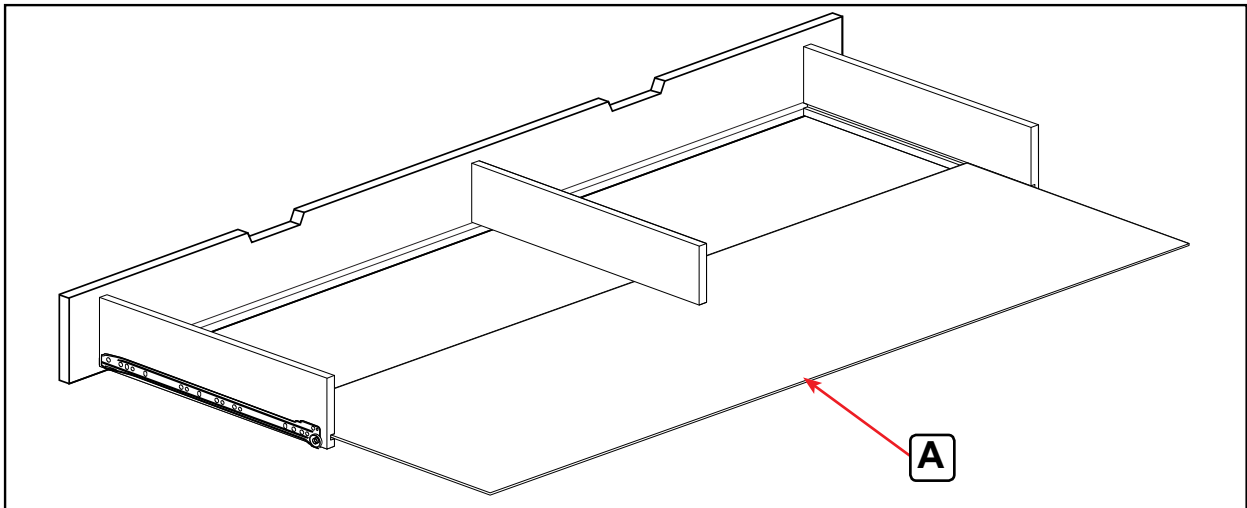
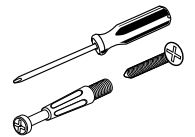


Figure 9

## Step 4

Tools/Hardware required:



- Fit 1 x Cam-screw (A) to the inside centre of the drawer back panel.
- Fit the drawer back panel (B) into position.
- Fix into position with 6 x 25mm timber screws (C), as per **Figure 10**.

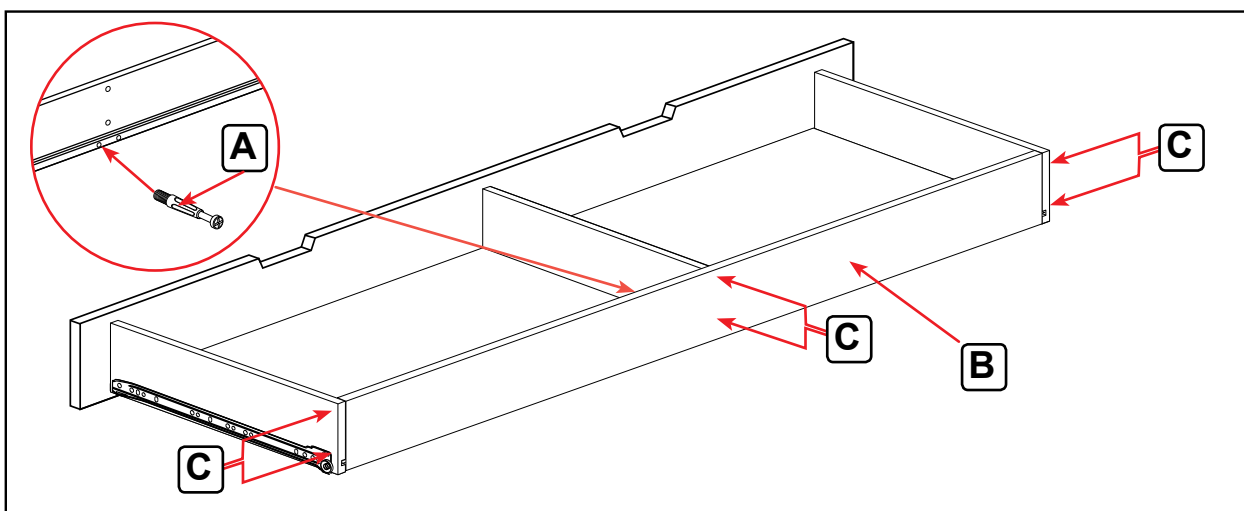
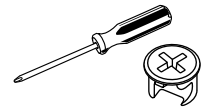


Figure 10

# Assembling: Drawer (cont)

## Step 5

Tools/Hardware required:



- Turn the drawer over.
- Fit and ensure all cam-locks (**A**) and screws are fitted securely, as per **Figure 11**.

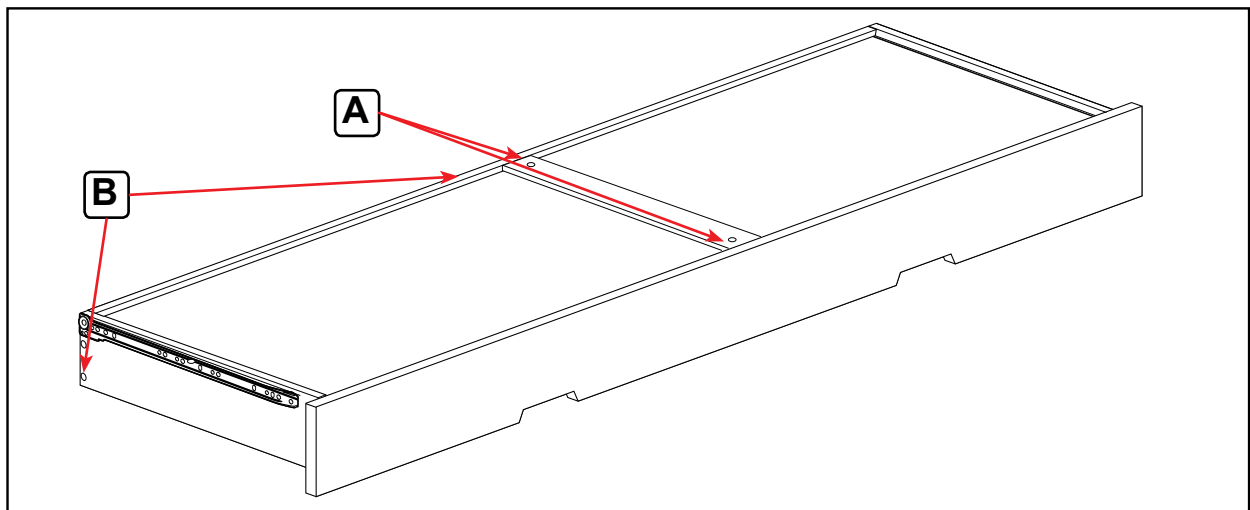


Figure 11

## Step 6

- **To fit the drawer to the toddler bed.**  
Align the drawer guide rail to the toddler bed guide rail, push the drawer in.
- **To remove the drawer from the toddler bed.**  
Pull the drawer fully out then lift the drawer clear of the toddler bed drawer guide rails.
- Your toddler bed with drawer is now ready to use, as per **Figure 12**.

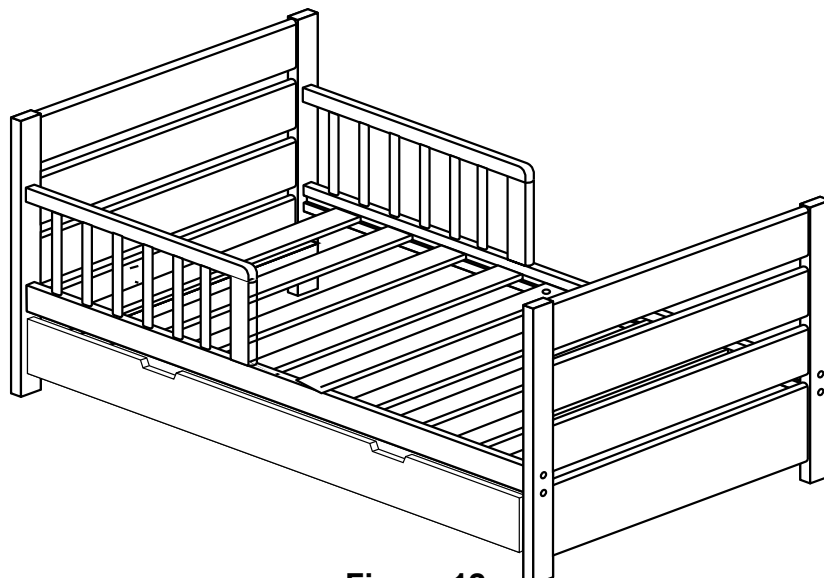


Figure 12

---

# Product care and maintenance

---

- Always store bed indoors in a clean dry place.
- Do not use abrasives or detergent on bed's surfaces.
- Scuff marks can be removed with mild soap and warm water. Dry with soft towel.
- Occasional use of furniture polish will maintain the product's finish.
- Regularly check all screws and fittings to ensure that they are tight.
- Damaged components should be replaced as required.
- Replacement parts are available from the IGC Customer Service Department.

---

## Customer service

---

Please contact our Customer Service Department if you experience a problem with this product or require assistance:

### AUSTRALIAN CUSTOMERS

**Email** sales@igcdorel.com.au  
**Web** www.igcdorel.com.au  
**Phone 1** (03) 8311 5300  
**Address** 655-685 Somerville Road  
 Sunshine West, Vic, 3020

**Phone 2** 1300 809 526 (local call cost)  
**Hours** 8:30 am – 4:30 pm, Monday to Friday  
**Postal** IGC Dorel Pty Ltd  
 P.O. Box 1260  
 Sunshine West, Victoria, 3020  
**Australia**

### NEW ZEALAND CUSTOMERS

customerservice@igc.co.nz  
 www.igcdorel.com.au  
 (09) 274 1040  
 14 Sir William Avenue, East Tamaki,  
 Auckland, 2013.

0800 628 000 (Toll Free)  
 8:00 am – 4:00 pm, Monday to Friday.  
 IGC Dorel New Zealand Ltd  
 P.O. Box 82377 Highland Park  
 Mt Wellington  
**New Zealand**

---

Specifications are subject to change without notice.

Copy or reproduction without permission is prohibited.

© 2011 IGC Dorel Pty Ltd. All Rights Reserved. www.igcdorel.com.au